



**QUBICA**  **AMF**  
**CENTER SUPPLIES  
& LANE CARE**



## There's more than one way to get in touch with QubicaAMF.

Making it easy for you to reach QubicaAMF is just as important to us as getting our quality products into your hands.

Contact us via phone, fax, email, and web and be served by people whose expertise and helpfulness make it easy for you to do business with QubicaAMF.



**Phone:** 1-866-460-7263



**Fax:** 804-730-4464



**Email:** [aftermarket@qubicaamf.us](mailto:aftermarket@qubicaamf.us)



**Website:** [www.qubicaamf.com](http://www.qubicaamf.com)



**Facebook:** <https://www.facebook.com/QubicaAMFWorldwide>



**Twitter:** <https://twitter.com/qubicaAMF>



**You Tube:** <http://www.youtube.com/user/QubicaAMFWorldwide>

**Email Club:** <http://www.qubicaamf.com/newsletter/entry.html>

Join our email club, The Supply Line, to receive monthly tech tips, product specials, and industry news.

**Customer Portal:** <http://customerportal.qubicaamf.com/Homepage.aspx>

Register for our tech support customer portal, a website dedicated to supporting you and your center's technical needs with how-to videos, manuals, and parts catalogs.

**Products Forum:** <http://customerforum.qubicaamf.com/newcustomerforum.aspx>

Join our interactive Products Forum to discuss issues among peers worldwide.



## TABLE OF CONTENTS

LANE CARE - YOUR LANE YOUR WAY .....	4
LANE CONDITIONING PRODUCTS .....	5
LANE CLEANING PRODUCTS .....	6
LANE CLEANING - DUSTER CLOTH .....	7
LANE DUSTERS & ROTARY FLOOR MACHINE SUPPLIES .....	8
LANE & APPROACH CARE .....	9-10
CENTER MAINTENANCE .....	11
EZ TOUCH LANE MACHINE .....	12-13
SUMMIT S LANE MACHINE .....	14-15
LANE MAINTENANCE EQUIPMENT SUMMIT, MAGNUM, SILVER BULLET.....	16-18
LANE MAINTENANCE EQUIPMENT EXPRESS .....	19
LANE MAINTENANCE EQUIPMENT VLS, GEMINI, ULTRALITE .....	20
BUMPER PARTS.....	21-23
LANE PARTS.....	24-26
LANE FINISH PRODUCTS.....	27-30
LANE APPLICATORS, ABRASIVES, & SUPPLIES .....	31
SMART BALL HOUSE BALL SYSTEM .....	32-33
RENTAL SHOES .....	34-35
PINS .....	36-37

## ANSWER THESE QUESTIONS PRIOR TO SELECTING ANY LANE CONDITIONER

Selecting a lane conditioner begins with understanding your center. The following series of questions were designed to help us understand your center. We ask these questions for every potential QubicaAMF customer. Without asking these questions, you could be paying for technology you don't need or selecting a product that won't work well with your lane machine, lanes, bowlers or the volume of your business.

### 1. What type of lane machine do you use?

- Pad machines such as Century 100, Ultralite, and Kegel: Use low viscosity Visflo 12.7 or 19.5
- Silver Bullet, Magnum, or Summit: Visflo 12.7 – 39 or any of the Reactors
- Lane machines equipped with tank heaters: Use high viscosity Visflo 48.5 or Utopia
- All our products may be used in Brunswick or Kegel wickless machines

### 2. What type of bowlers do you have?

- Recreation bowlers: Visflo
- Combination of recreation, league and a few tournaments: Reactor LL, ML, or HL
- Classic leagues and frequent tournaments or high lineage: Utopia

### 3. What type of lane surface do you have?

- Harder surface, like synthetic: less lubricity Reactor LL or Visflo
- Most surfaces: medium lubricity Reactor ML or Visflo
- Softer surface, like older wood or Guardian: higher lubricity Reactor HL or Utopia

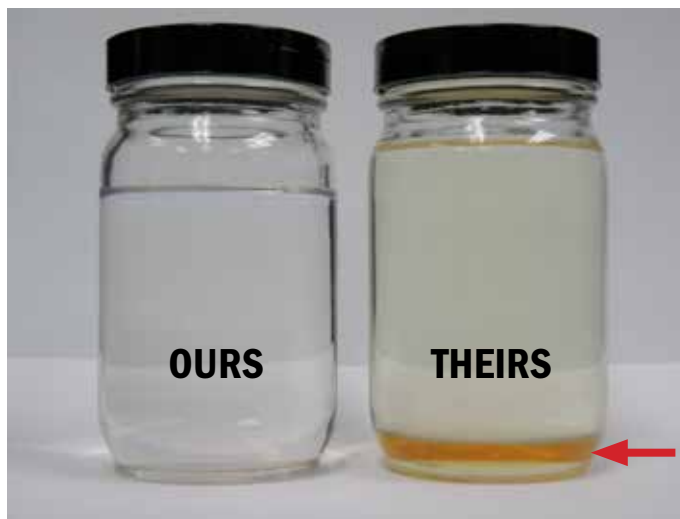
### 4. What is the condition of your lane surface?

If it has been more than two years since your last resurfacing, or your non-QubicaAMF synthetic lanes are in need of polishing, then you need a higher viscosity, higher lubricity conditioner like Reactor HL or Utopia.

### 5. How much lineage do you have?

More bowling requires more oil. Today's conditions use a high volume of lane conditioner to protect the lane surface, requiring higher lubricities to reduce the drag on the bowling ball as it passes through the oil. High lineage centers require a high viscosity, high lubricity oil such as Reactor HL or Utopia.

## QubicaAMF versus the Competition



### QubicaAMF product requires **NO SHAKING.**

1. Easy to use
2. Does not clog pump filters or wicks
3. More consistency
4. Longer shelf life

And you don't have to shake the machine **AFTER EVERY USE.**

## UTOPIA®



Utopia is designed for ultra performance, durability, and protection against particle enhanced balls under extreme conditions (e.g. high lineage, tournament play, and poor lane surfaces). It's easy to use. Utopia may be applied through wickless machines or wick/pad machines equipped with tank heating systems. Utopia is an ultra high viscosity, high lubricity, lane lubricant modified with synthetic additives. It provides the outstanding protection of an ultra high viscosity conditioner, while eliminating the negative side affects of "drag" on the bowling ball as is experienced in typical high viscosity lane conditioners. Utopia is homogenous, and DOES NOT REQUIRE SHAKING.

**Utopia**                    **294006095i**   **2 x 2.5 gallons**

## REACTOR®



Easy to use. Very forgiving. Instant results. Each formula of Reactor is designed to achieve optimal ball reaction in the mid-lane for predictable, consistent scoring on any surface with any lane machine. Depending on the lane surface at your center, you'll want to choose one of these:

**Reactor LL** (Low Lubricity) synthetic lanes, and harder lane finishes.

**Reactor ML** (Medium Lubricity) most lane surfaces.

**Reactor HL** (High Lubricity) softer wood finishes, severely worn lanes, and polymer film covered lanes. Reactor is a medium to high viscosity poly-viscous lane conditioner modified with synthetic additives. Reactor is homogenous, and DOES NOT REQUIRE SHAKING

**Reactor LL**            **294006065i**   **2 x 2.5 gallons**  
**Reactor ML**            **294006049i**   **2 x 2.5 gallons**  
**Reactor HL**            **294006075i**   **2 x 2.5 gallons**

## VISFLO®



Ideal for recreational centers, with a large base of open play bowlers or recreational leagues, and centers that are cost conscious. Visflo is available in 5 different viscosities. The ideal viscosity for your center is determined by your lanes, lane machine, and lineage. Visflo is 100% solids, and made of pharmaceutical grade mineral oil. Visflo is homogenous, and DOES NOT REQUIRE SHAKING.

**Visflo 12.7**            **294006040**   **2 x 2.5 gallons**  
**Visflo 19.5**            **294006004**   **2 x 2.5 gallons**  
**Visflo 32.5**            **294006009**   **2 x 2.5 gallons**  
**Visflo 39.0**            **294006042**   **2 x 2.5 gallons**  
**Visflo 48.5**            **294006032**   **2 x 2.5 gallons**

## CONDITIONER SUPPLIES



### LANE CONDITIONER CONTAINER

If you like to blend your own viscosity of Visflo this is the perfect mixing vessel. Provides for neat, clean storage and dispensing.

5 gallon mixing container (complete)  
**Product Code**    **294080111**

Spigot for Mixing Container  
**Product Code**    **294007079**

Lid for Mixing Container  
**Product Code**    **294007076**

Tank with fitting only  
**Product Code**    **294007086**

CONDITIONER	VISCOSITY	SURFACE TENSION	WICK MACHINES	WICKLESS MACHINES
Reactor	Variable	24	Yes	Yes
Utopia*	81	27.9	Yes	Yes
Visflo 12.7	12.7	31.8	Yes	Yes
Visflo 19.5	19.5	32.6	Yes	Yes
Visflo 32.5	32.5	33.8	Yes	Yes
Visflo 48.5	48.5	34.6	No	Yes

\*Highest viscosity allowable by United States Bowling Congress. Can be used in wick/pad machines equipped with oil tank heating systems.

# LANE CLEANING

## FORMULA ACC®



Formula ACC is an All Conditioner Cleaner specifically formulated to remove today's hi-tech lane conditioners from the lane surface. Formula ACC's dual action cleansing attacks a wide variety of oils and synthetic components found in today's conditioners. Formula ACC is only recommended for vacuum stripping and may be diluted as high as 10:1 depending upon each center's specific needs.

**Product Code** 295006047i 2 x 2.5 gallons

## FORMULA 388®



Specially formulated non-butyl cleaner designed for vacuum stripping or hand cleaning lanes. Designed for an initial mix ratio of 1 part Formula 388 to 5 parts water.

**Product Code** 294006021 2 x 2.5 gallons

## CARPET ANTIFOAM



Anti-foaming additive used to reduce foaming in lane machine waste tanks. DO NOT use in cleaner tank.

**Product Code** 294115161 1 gallon

## CLEANER SUPPLIES

### LANE CLEANER MIXING CONTAINER



Save time, effort, and money by accurate measuring and mixing your lane cleaner to the correct dilution ratio. Provides for neat, clean storage and dispensing. Holds, 10 gallons.

10 gallon mixing container (complete)

**Product Code** 294080107

Tank, Spigot, and Lid

**Product Code** 294080107

Spigot for Mixing Container

**Product Code** 294007079

Lid for Mixing Container

**Product Code** 294004496

10 gal. Tank with fitting only

**Product Code** 294004497

## VISCLEAN CONCENTRATE



Specially formulated cleaner concentrate designed for use when vacuum stripping lanes. Works with all vacuum lane strippers. Initial mix ratio of 1 part VisClean to 10 parts water. You won't find a stronger cleaner and you'll save on freight.

**Product Code** 294006033 Box of 6 quarts A & 6 quarts B

CLEANER	VACUUM STRIPPING	HAND STRIPPING
Formula ACC	Yes	No
VisClean Concentrate	Yes	No
Formula 388®	Yes	Yes

# LANE CLEANING - DUSTER & CLEANING CLOTH

## MAGIC TRIANGLE DUSTER AND CLEANING CLOTH



### Cleaning Cloth for KEGEL

43" wide cloth, plastic core and drive end, 17 yards per roll, 4 rolls per carton. **Fits DBA and Kegel made machines.**

**Product Code 294008460**

40 1/2" wide cloth, wooden core and nail drive, 33 1/3 yards per roll, 3 rolls per carton. Fits all maple dusters.

**Product Code 294008400**

43" wide cloth, wooden core and drive end, 33 1/3 yards per roll, 3 rolls per carton. Fits DBA Lane Runner, DBA Aluminum Dusters and DBA Lane Maid.

**Product Code 294008430**

40 1/2" wide cloth, wooden core and metal drive end, 33 1/3 yards per roll, 3 rolls per carton. Fits K&B Lane Dusters and Perry Austen Magic Lane Duster.

**Product Code 294008410**

43" wide cloth, plastic core and drive end, 33 1/3 yards per roll, 3 rolls per carton. Fits 44" AMF and older Brunswick lane dusters. \*\*

**Product Code 294844142**

42" wide cloth, wooden core and drive end, 33 1/3 yards per roll, 3 rolls per carton. Fits AMF Unimatic machines, AMF 42" Lane Duster and AMF Super Duster.

**Product Code 294008423**

43" wide cloth, plastic core and drive end, 25 yards per roll, 4 rolls per carton. Fits: Hot Dusters®, ALL QubicaAMF Century, Perry Austen Champion, Pierce & Stevens Lane Pro Duster, new Brunswick Lane Duster, DBA Lanewalker and Excel. \*\*

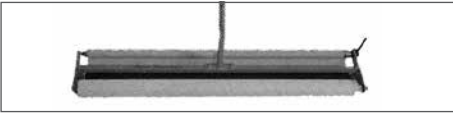
**Product Code 294008443**

\*\*Each roll comes on a reusable plastic core with double face tape for easy trouble-free take-up. Use this plastic core as your take-up roller, and throw the whole dirty roll away! No more unraveling or cutting off old, dirty, oily cloth.

CLOTH PART #	Brunswick #	DBA #	WIDTH	CORE/DOWEL	
294008400	N/A	8400	40 1/2"	Wood with nail drive	
294008410	N/A	8410	40 1/2"	Wood with metal drive end	
294008423	61-860167-000	8423	42"	Wood	
294008430	61-860168-000	8430	43"	Wood	
294844142	52-860079-000	8441/42	43"	Plastic	
294008443	52-860078-000	8443	43"	Plastic	
294008460 Cleaning Cloth	61-860250-000	8460	43"	Plastic	

# LANE DUSTERS / APPROACH CARE

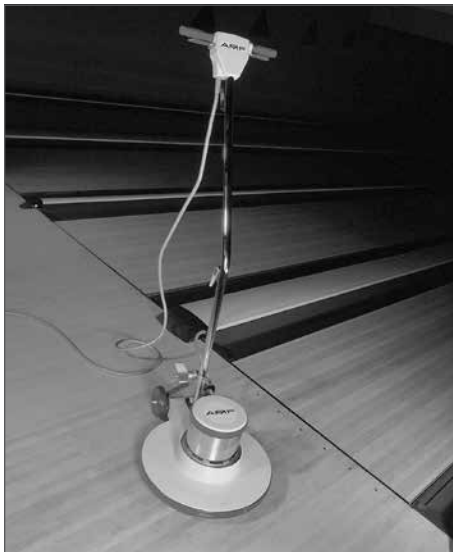
## HOT DUSTER



**Product Code** 600130

The Qubica AMF Magic Triangle Duster Cloth is an unbeatable lane duster. Using the Duster Cloth is a time-tested method of keeping your lanes dust free and your bowlers clean and happy.

## ROTARY FLOOR MACHINE



Ideal for synthetic approach cleaning, buffing, and maintenance. Use with Buffing Pad #294007090

**Product Code** 041007400 115 volt, 50/60 hz.  
041740096 230 volt, 50/60 hz.

### BASSINE BRUSH

Soft bristle brush for lane and general bowling center maintenance.

**Product Code** 294007061

### ROTARY PAD AND SANDSCREEN DRIVE HEAD

Driver assembly for rotary pads and sand paper.

**Product Code** 081001087

### ROTARY SANDING SUPPLIES

3M™ Brand Black Thick Line Stripper Pads.

**Product Code** 294007006-1 18" diameter  
294007006-2 19" diameter

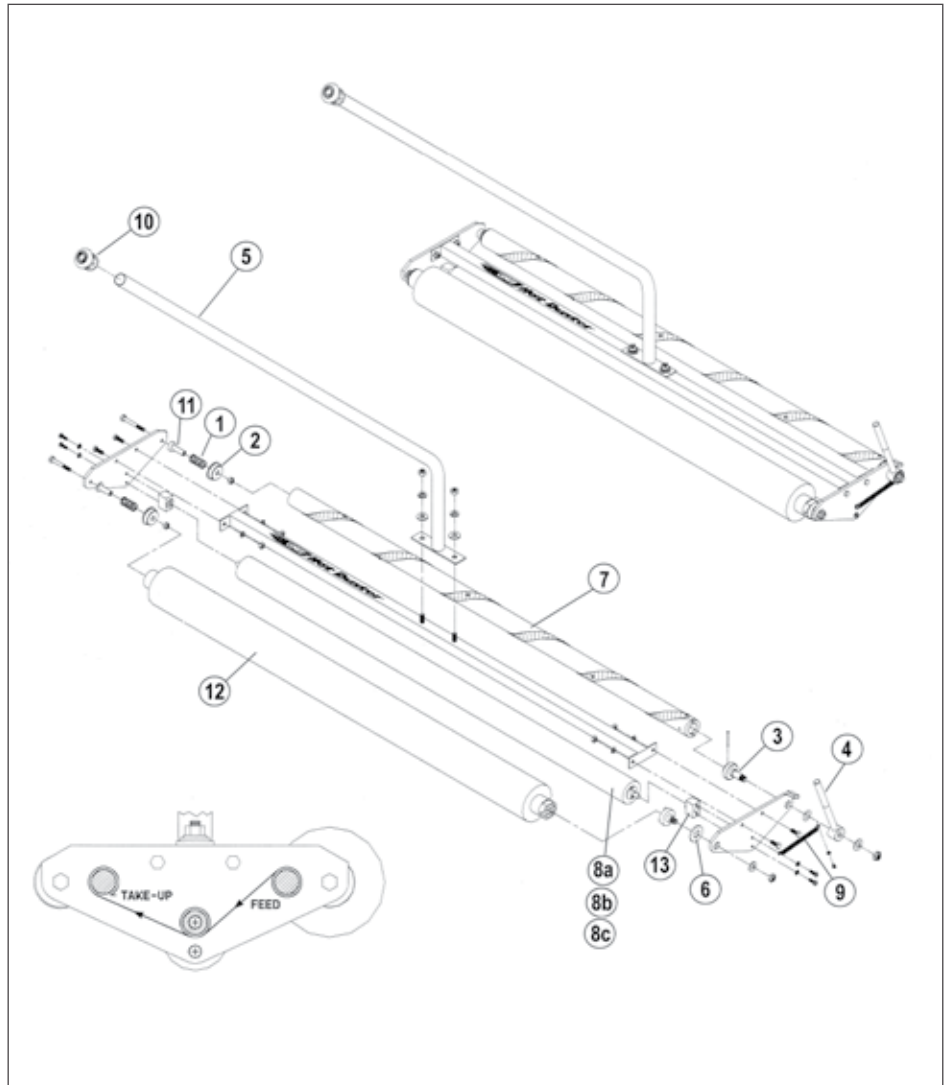
3M™ Brand Natural Blend Tan Floor Pads.

**Product Code** 294007007-1 18" diameter

### BUFFING PAD

Loop cloth pad ideal for use with rotary floor machine to clean and buff synthetic approaches. Pad provides better performance than other types of material and is extremely durable. Machine washable.

**Product Code** 294007090



## HOT DUSTER & STRIP N DUST PARTS

Index	Part #	Duster Base Mount (2 req)
1*	A0274	SPRING (2 req)
2*	A5552	IDLER SUPPORT (2 req)
3	PAD-1	DRIVER
4	PAD-A4	RATCHET ASSY
n/a	HS9	RATCHET (STRIP N DUST)
n/a	HSA2	HANDLE (STRIP N DUST)
7*	SA1062	DRIVE TUBE ASSY
8A*	SA8517	DUSTER TUBE ASSY
8B*	SA6533	DUSTER INNER TUBE
8C*	A01671	BLACK RUBBER TUBE
9	A0271	DUSTER SPRING
10*	4085	BLACK RUBBER TIP
11*	HS16	IDLER SUPPORT (2 req)
12	294008443	DUSTER CLOTH
n/a*	HSA3	DUSTER BASE MOUNT (2 req)

\*Common parts with the two dusters



## Approach Dusting



### 3M™ Doodleduster™ Dusting Tool

Convenient and efficient to use, the Doodleduster uses disposable cloth for dusting approaches. Replacement cloth has 250 sheets per roll. Does not include handle. Recommend using QubicaAMF's Multi-Use Telescoping Handle, Product Code 294007091.

**Product Code**    **294007040**  
                           **294007042**    **Replacement Cloth**

### 36" Approach Mop

Simple design with machine washable mop head

**Product Code**    **294007059**    **Mop**  
                           **294007060**    **Refill**

## GENERAL SUPPLIES



### LANE & GUTTER MOP

Cleans and dusts lane and gutters at the same time. Removable, washable mop head.

**Product Code**    **041003711**    **refill**

### GUTTER MOP

Cleans and dusts gutters. Comes with one removable, washable mop head. 60" handle.

**Product Code**    **041003921**    **mop**  
                           **041003911**    **refill**

### MULTI-USE TELESCOPING HANDLE

Heavy duty adjustable-length aluminum handle. Fits Doodleduster, brooms, mops and other general maintenance items.

**Product Code**    **294007091**

### HANDY SPRAYER - HUDSON

For center that want to spray extra conditioner on the heads. Or for hand oil application.

**Product Code**    **730025000**

## APPROACH MAINTENANCE

### SURE SLIDE



Spray on and buff approach conditioner specially formulated to improve bowler slide on synthetic approaches. Recommend using Buffing Pad, 294007090 with Rotary Floor Machine for easy application. Not for use on wood approaches.

**Product Code**    **294007038**    **2.5 gallon**

### 3M™ TROUBLE SHOOTER



Aerosol approach cleaner ideal for spot cleaning synthetic approaches.

**Product Code**    **049006638**    **21 oz.**

### APPROACH SPOT CLEANER



Solvent style liquid approach spot cleaner for all approach types.

**Product Code**    **294007037**    **1 gallon**

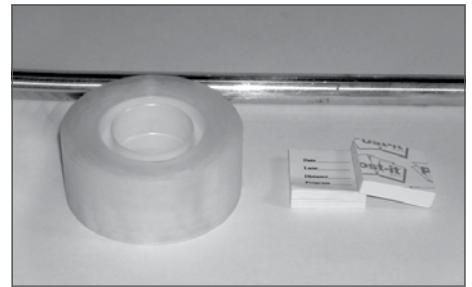


## LANE MONITOR™

<b>Product Code</b>	<b>61860225000</b>	<b>Computer Lane Monitor™ 110V</b>
<b>Product Code</b>	<b>61860225220</b>	<b>Computer Lane Monitor™ 220V</b>
<b>Product Code</b>	<b>61860155000</b>	<b>Recorder</b>
<b>Product Code</b>	<b>61860162000</b>	<b>Calibration Kit</b>
<b>Product Code</b>	<b>61100261000</b>	<b>Tape Advance Roller</b>
<b>Product Code</b>	<b>61100060000</b>	<b>Light Bulb</b>

Monitor™ and Computer Lane Monitor™ are trademarks of the Brunswick Bowling & Billiard Company and are not affiliated with QubicaAMF.

## TAPE RECORDER SUPPLIES



### 3M™ LANE TAPE

Official tape used with tape pick-up units to monitor lane conditions and lane patterns. 1" wide x 36 yds long.

**Product Code** 294004057 roll

### SELF-ADHESIVE LANE TAPE EDGE MARKER TAB

Self-adhesive pads of white lane edge markers preprinted with date, lane number, lane distance and lane machine program number lines. No more cutting white tape to size. Specially made to be released from the lane and captured by the 3M lane tape. 50 sheets per pad. 10 pads.

**Product Code** 294110947

## PIN FORK



**Product Code** B158100

## RIGHT SPOT PIN PAD



Non-skid pin pad. Simply apply to bottom of the pin. USBC Approved, permit # 038-13-OSC

**616000022, Pack of 22**

### ALUMINUM TAPE PUSH ROD

Replaces wood push rod supplied with the lane monitor tape pick-up unit. During use, the wood rod may break, particularly when using heavy pressure to read high units of oil. Sturdy, durable rod is designed to provide years of use.

**Product Code** 294110946

## PETRO FREE



PetroFree is a product of the latest solvent technology. It's non-petroleum based and contains no ozone depleting chemicals. When diluted, PetroFree may be used as a general purpose cleaner. Effective on heavy grease, oil, asphalt, adhesives and floor tile mastic. Safe on metals. Can be used in parts washers. Contains surfactant, not recommended for use on electric motors.

**Product Code**      **294006043**      **4 x 1 gallon**

## PINKEEPER® PIN CLEANER



Specially formulated to reduce sticking pins which results in fewer pile ups or pins sticking in deck chutes. Water based detergent pin cleaner designed for use in an automatic pin cleaning machine.

**Product Code**      **294006020**      **2 x 2.5 gallons**

## ORANGE CD



Heavy-duty chemical degreaser recommended for removing oils and grease from most surfaces. May be used straight or diluted for manual wipe on/wipe off parts cleaning applications. Safe on aluminum, galvanized metal, copper, steel and tin parts when a water-based solvent is acceptable. Also may be used to clean concrete floors and aluminum pinspotter/pinsetter parts.

**Product Code**      **294006046**      **4 x 1 gallon**

## FRESH CARE



Spray used to deodorize hard, non-porous surfaces, bowling equipment and rental shoes. Available in aerosol or liquid form.

**Product Code**      **294007058**      **16 oz. aerosol**  
**047000100**      **1 quart liquid with exact burst trigger sprayer**

## AP3 CLEANER



All purpose cleaner. Safe on all washable surfaces. Use diluted through trigger sprayer to clean counter tops, furniture, ball returns and scoring console. Also may be used for mop and bucket floor cleaning. Effective at removing nicotine and other common bowling center stains.

**Product Code**      **294006045**      **4 x 1 gallon**

# EZ TOUCH LANE MACHINE

## SUMMIT S-SERIES



### THE SMARTEST CHOICE FOR CENTERS OF 16 LANES OR LESS

Do you own or manage a smaller center and find yourself doing the lanes by hand? Perhaps you use outdated equipment that doesn't clean properly, or apply enough oil for today's bowling balls?

Now there's a better choice—EZ Touch from QubicaAMF.

#### Easiest to learn and operate

EZ Touch is super easy to learn and run. So you won't have to spend money on a dedicated lane maintenance technician or head mechanic.

A NEW touch interface makes the machine incredibly simple to operate—for any skill level.

Preprogramming eliminates the time and trouble of changing lane oil patterns. You just push a button.

A lightweight design. EZ Touch is the lightest machine on the market today. Anyone can maneuver and lift it.

#### Far less expensive to purchase and maintain

EZ Touch is a very economical solution with a low total cost of ownership. And it also saves labor costs by automating what you might be doing by hand or less efficiently now.

Low purchase price. The nearest competitor's machine costs 50% more.

No installation is required. So there are no upfront fees.

No cleaning cloth is required, saving you thousands of dollars over the years.

Fewer adjustments and fewer parts mean less maintenance.

#### All-in-one convenience

EZ Touch has everything you need to take care of your lanes—and all types of bowlers. It protects one of your biggest investments as well as machines costing three times as much.

Patterns for any bowler. EZ Touch lets you condition your lanes for recreational, league and tournament players. It also has a clean only program.

High output allows EZ Touch to apply over 100 units (30 ml) for maximum lane protection under the most demanding conditions.

Multiple run capabilities let this versatile machine lay down up to four coats of oil for superior control and lane protection.

High speed. It only takes a minute for EZ Touch to clean and oil a lane.

High scoring. EZ Touch is preprogrammed with the highest scoring USBC/WTBA legal programs available.

And the best part? EZ Touch is guaranteed by QubicaAMF, the market leader. So you know you'll be getting a machine that will last for years, and keep your lanes in the best possible shape.

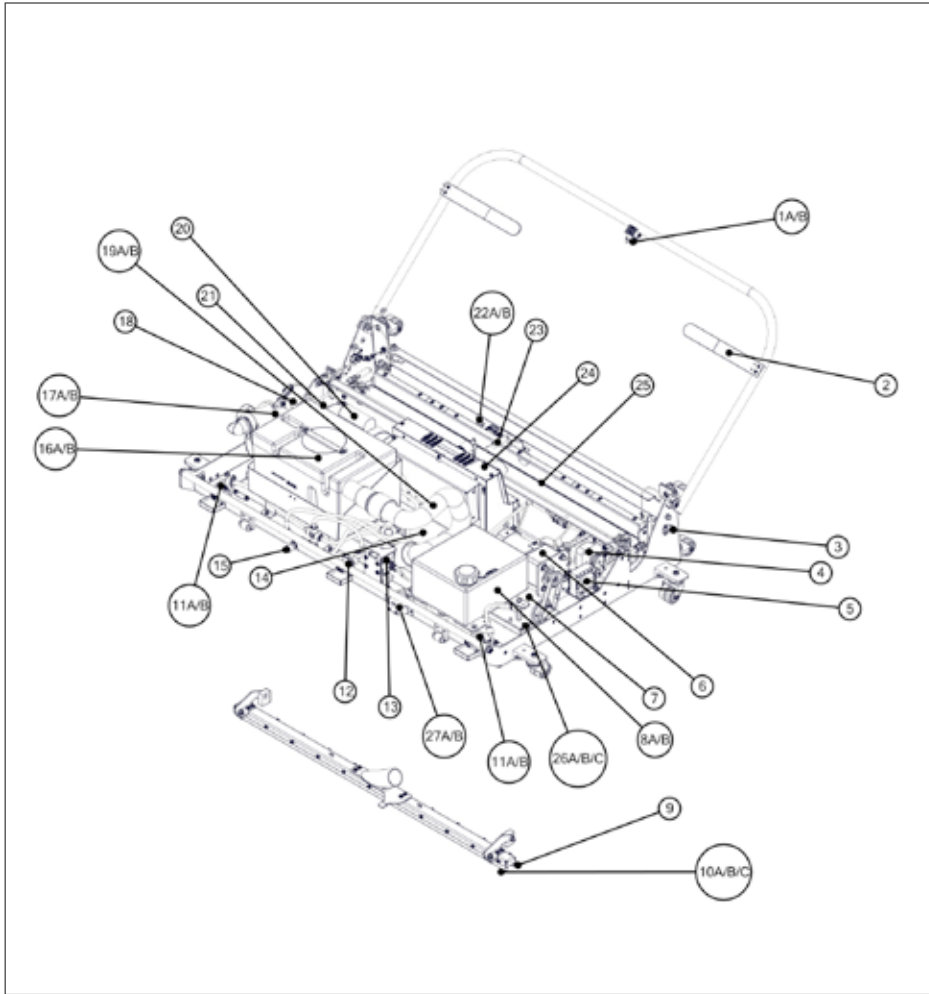
**EZ Touch 110v: 294116110**

**EZ Touch 220v: 294116220**



VISIT US ONLINE AT  
**WWW.QUBICAAMF.COM**  
OR CALL YOUR QUBICAAMF  
REPRESENTATIVE TODAY  
TO SEE JUST HOW EASY IT REALLY IS.

WATCH THE VIDEO AT  
**WWW.QUBICAAMF.COM/EZTOUCH**



## REPLACEMENT FUSES

	110V	220V
Cleaner Pump	748510600	748901111
Buffer Motor	748510400	748511405
Vacuum Motor	748510400	748511405
Drive Motor	748512110	748510100
Buffer Solenoids	748901031	748510100
Vacuum Head Solenoid	748901301	748510100

## REPLACEMENT WICKS

Part #	Oil Output	Stencil#
294115654	Super Low	13
294115653	Extra Low	12
294115652	Low	11
294115482	Medium Low	10
294115484	Medium	8
294115486	Medium High	6
294115488	High	5
294115490	Super High	4
294116263	Foam Wick Cutting Template	
294116270	Wick Template 10"	
294116271	Wick Template 3"	
294116272	Wick Template 7.85"	

Drawing	Part #	Description
1A	02335	Switch
1B	A1028	Switch Cover
2	04397	Handle Strap
3	A2037	Power Cable Hook
4	294116023	Transfer Motor Assy
5	294002032	Solenoid RH 110V 60Hz
6	294116041	Drive Motor 110V
7	294115404	Drive Wheel
8A	294115525	Cleaner Tank Only
8B	294115638	Cleaner Tank Assy (includes fittings)
9	294116137	Squeegee
10A	294116142	Agitator Foam
10B	294116141	Agitator Foam Shim
10C	612294014	Agitator & Shim Kit
11A	294116231	Side Nozzle
11B	294002401	Strainer Check Valve (for each nozzle)
12	294116230	Center Nozzle
13	294002033	Solenoid LH 110V 60Hz
14	02206	Cleaner Pump 110V
15	294115636	Flow Control Valve

Drawing	Part #	Description
16A	SA1129	Waste Tank Assy
16B	294115247	Waste Tank Strap
17A	02214	Vac Motor 110V
17B	A8307	Vac Motor Seal
18	294002033	Solenoid LH 110V 60Hz
19A	294115467	Vac Hose
19B	04150	Hose End (2)
20	294116260	Buffer Motor 110/220V
21	294116082	Buffer Belt
22A	A0330	Tank Plug
22B	04093	Plug Seal
23	294116269	Oil Tank Spring
24	294116195	Control Box Assy 110V
25	294116065	Buffer Brush Assy
26A	SA0244	Guide Wheel Assy
26B	A0024	Guide Roller Spring
26C	294116019	Guide Roller Axle
27A	088000245	Optical Sensor Assy
27B	294116053	Optical Sensor Bracket
not shown	294115046	Encoder (Counter Wheel Assy)

## SUMMIT S-SERIES



### **FAST. RELIABLE. ECONOMICAL. CONSISTENT.**

Simple and easy, the SUMMIT S-Series is designed to be extremely reliable and efficient for the needs of any size center. The SUMMIT S-Series combination machine cleans, oils, and buffs in a single or double pass. Access to Cleaner is easy with the tank fill right on top. The new Summit S-Series with Variable Spray Cleaning lets you put cleaner where you need it when you need it. The clog resistant nozzles allow you to run longer with less maintenance. Also, on the new Summit S-series is a reusable agitation pad that cuts down on maintenance costs and allows for perfect cleaning each and every time.

**Summit S 110v: 294002400**

**Summit S 220v: 294002450**

### **SPECIFICATIONS**

Electrical: 110v 50/60 Hz or 220vCE, 50/60 Hz

Weight: 350 lbs 158,7 Kg

Machine Dimensions (on approach):

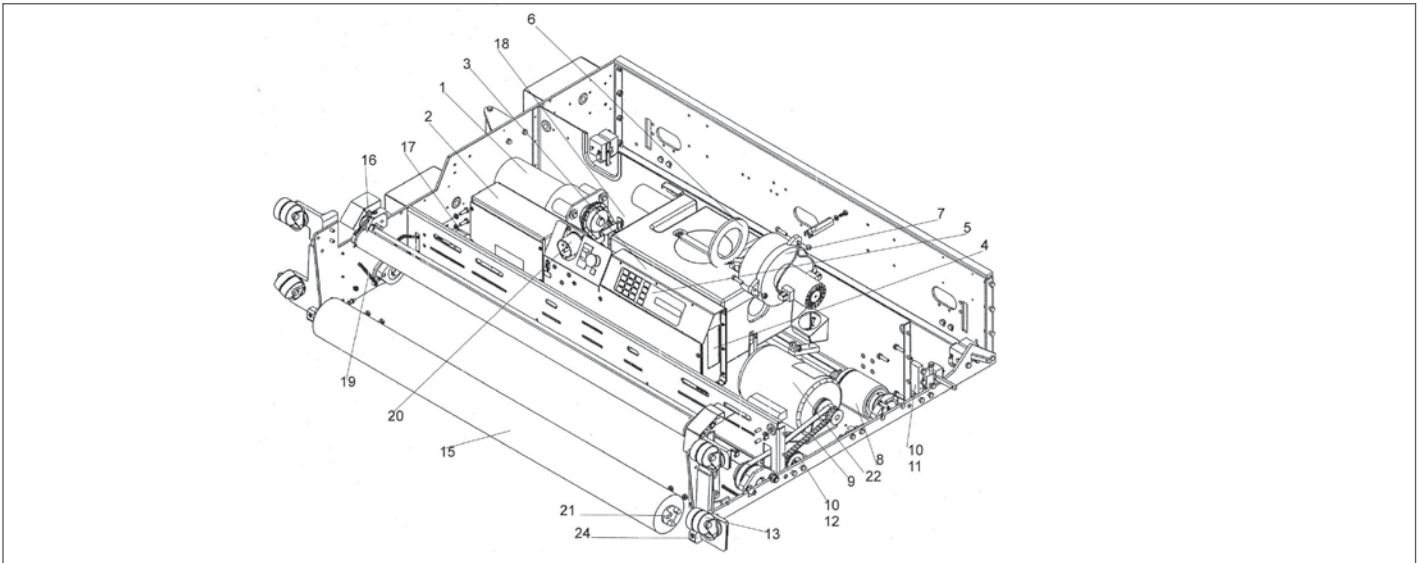
H : 12.5 in / 31.8 cm

L : 43 in / 109.2 cm

W: 57 in / 114.8 cm

Amperage: 220V- 12A, 110V- 24 A

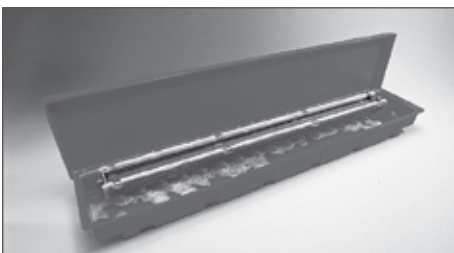
# LANE MAINTENANCE EQUIPMENT SUMMIT - MAGNUM - SILVER BULLET



DRAWING#	PART	DESCRIPTION
1a	02770	Drive Motor 110V Summit / Magnum
1b	02786	Drive Motor 220V Summit / Magnum
1d	02256	Drive Motor 220V Silver Bullet
2a	SA0250	Speed Control Box 110V New
	SA0250-R	Speed Control Box 110V Rebuilt
2b	SA0260	Speed Control Box 220V New
	SA0260-R	Speed Control Box 220V Rebuilt
3a	294002529	Summit Control Box New
	294002072-R	Summit Control Box Rebuilt
	294002505-R	Summit S Control Box Rebuilt
3b	SA0247-R	Magnum / SB Control Box New
4	SA0249	Relay Board New Summit / Magnum
	SA0249-R	Relay Board Rebuilt Summit / Magnum
	02375	Relay Board Silver Bullet
5	294002127	Control Box Overlay
6	A8307	Tank Seal
6a	294002547	Tank Seal for 220V Machine Serial # 200910010003 and Up
7a	02214	Vacuum Motor 110V - seal not included
7b	02255	Vacuum Motor 220V - seal not included
8	294115404	Drive Wheel (Universal)
9	03099	Buffer Drive Belt
10a	294002011	Guide Roller Assembly Summit

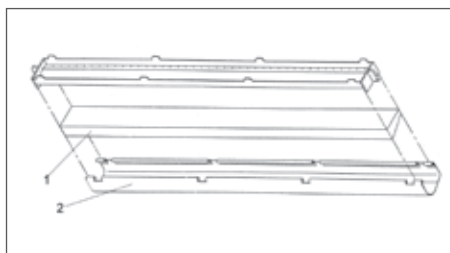
DRAWING#	PART	DESCRIPTION
10b	294002016	Guide Roller Shaft Summit
10c	294002025	Guide Spring Summit
11a	A5530	Front Guide Roller Shaft Magnum
11b	SA1006	Front Guide Roller Magnum
11c	A0030	Front Guide Roller Spring Magnum
12a	A0022	Guide Roller Shaft Magnum
12b	SA1005	Guide Roller Magnum
12c	A0024	Guide Roller Spring Magnum
13	04292	Dual Caster w/dust cap
14	A0586	Pivot Caster Block
15	SA1182	Buffer Brush Assembly
16	A0583	Roller Spring
17	02767	Transfer Roller Motor
18	294002542	Counter Wheel Assembly (not show)
19	A0409	Buffer Return Spring
20	294002555	Panel Mount Power Inlet
21	A0420	Brush Drive (Summit S)
22	RP107	Buffer Motor 110V (Summit S)
22a	294002268	CE Buffer Motor
n/a	294002359	Power Cord Assembly Newer Summit
n/a	294002219	Connector Body Newer Summit
n/a	02238	Power Cord Only (no ends)

## CLEANER PAD STORAGE TANK



Product Code **SA0305**

## CLEANER PAD ASSEMBLY

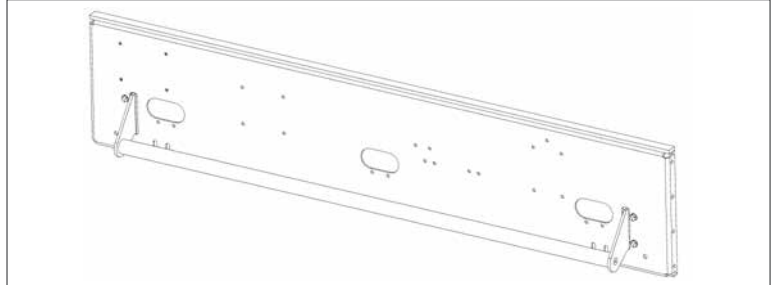
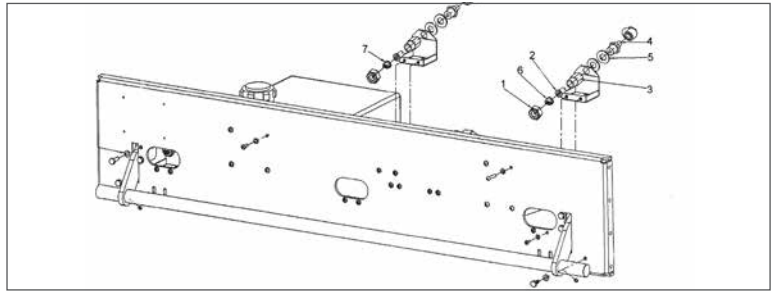


1	B8032	Cleaner Foam Pad Summit /Mag/SB
	294005099	Cleaner Pad Upgrade Kit Replacement Foam
2	C0776	Cleaning Fabric Summit / Mag
	SA8527	Cleaning Fabric Velcro
	294005098	Cleaner Pad Upgrade Kit Replacement Fabric

# LANE MAINTENANCE EQUIPMENT - SUMMIT S/MANUAL/KITS

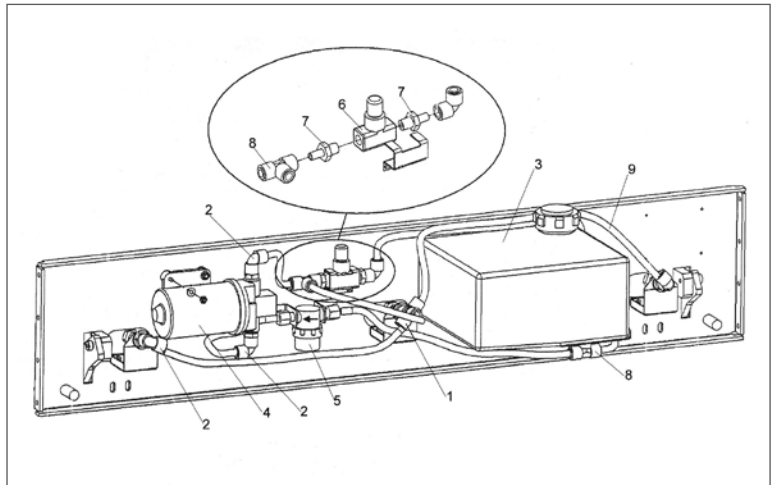
## FRONT PLATE ASSEMBLY - FRONT VIEW

DRAWING#	PART	DESCRIPTION
1	294002404	Tip Retainer Unijet 1325
2	294002401	Strainer Check Valve
3	294002403	Nozzle Body
4	294115071	Stem Adapter
5	948975172BG	Washer 17/32 x 1 1/2
6	294002407	Spray Nozzle Unijet 1501 (for use with left or right nozzle assy only)
7	294002406	Spray Nozzle Unijet 8003 (for use with center nozzle assy only)
	612294008	Front Panel



## FRONT PLATE ASSEMBLY - REAR VIEW

DRAWING#	PART	DESCRIPTION
1	294115076	Cross, Union, Quick, Connect
2	294115073	Elbow, Union, Quick, Connect
3	294115525	Cleaner Tank
4	02206	Cleaner Pump 110V
4a	294115287	Cleaner Pump 220V
5	04322	Filter Bowl
5a	04322-1	Screen Mesh
6	04112	Volume Valve (Plastic)
6a	294115637	Flow Control Valve Assembly (Brass)
7	294115071	Stem Adapter
8	294115074	Tee, Union, Quick, Connect
9	04128	Tube, Tygothane (specify length in feet)



## MANUALS

PART	DESCRIPTION
400294005	Operating & Parts Manual - Express
294005021	Operating & Parts Manual - Summit S
294005007	Operating & Parts Manual - Summit
FM0193	Operating & Parts Manual - Magnum
FM0060	Century Programmer Guide
RP49-1	Operating & Parts Manual - LC100
RP128	Operating & Parts Manual - Gemini, Gemini Plugs, Silver Bullet

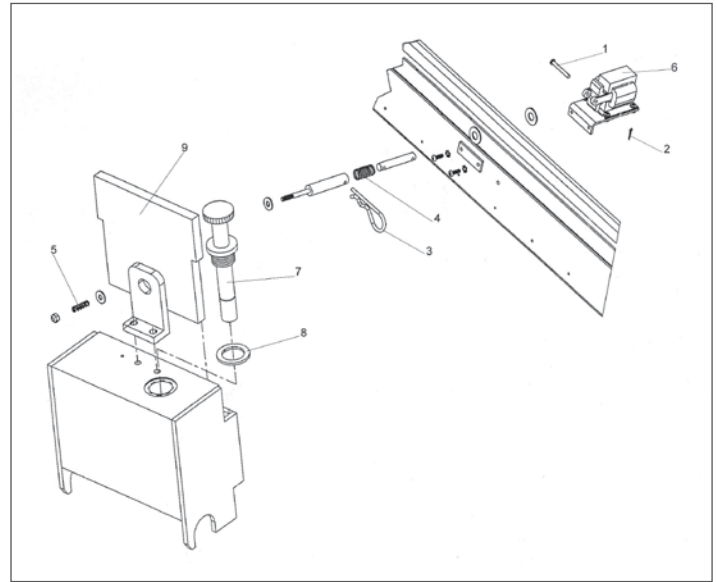
## UPGRADE KITS / SPARE PARTS KITS

PART	DESCRIPTION
294005100	Cleaner Pad Upgrade Kit
294300001	Tank Heater Kit for Summit
294300002	Tank Heater Kit for Magnum
612294009	Kit, approach Lift Roller
RP210	Spare Parts Kit-Summit, Magnum 110V
612150001	Spare Parts Kit - Summit CE

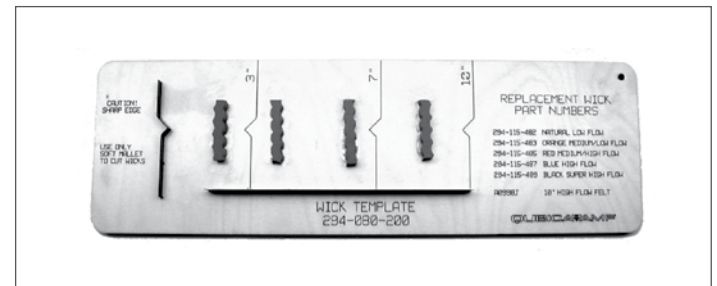


## OIL TANK ASSEMBLY

DRAWING#	PART	DESCRIPTION
1	01038	3/16 Dia x 1 1/2 Clevis Pin
2	01080	1/16 Dia x 1/2 Cotte Pin
3	294001007	Hitch Pin
4	294002174	Oil Tank Linkage Spring
5	A5038	Oil Tank Return Spring
6	294002031	Solenoid 110v Machine
6a	294002276	Solenoid 220v Machine
7	SA1107	12/3 Power Cord 110V
8	04093	Viton Washer
9a	294115490	Replacement Foam Strip SHO #4
9a	294115488	Replacement Foam Strip HO #5
9a	294115486	Replacement Foam Strip MHO #6
9a	294115484	Replacement Foam Strip MO #8
9a	294115482	Replacement Foam MLO #10
9b	612551001	Standard Foam Wick Kit (7-3-10 tank Config.)
9c	A0998C	Grey High Flow Wick 3"
9c	A0998D	Grey High Flow Wick 4"
9c	A0998E	Grey High Flow Wick 5"
9c	A0998F	Grey High Flow Wick 6"
9c	A0998G	Grey High Flow Wick 7"
9c	A0998J	Grey High Flow Wick 10"
9d	294080200	Foam Wick Cutting Template - Summ Precisely cuts foam wicks to the proper contour
9d	294080127	HVO Wick Kit-two 10" grey high flow, two 7" foam wicks & two 3" foam wicks.
9d	80089C	High Flow Wick Kit



## FOAM WICK CUTTING TEMPLATE - SUMMIT



Precisely cuts foam wicks to the proper contour

**Product Code 294080200**

## OIL FILL BOTTLE



1st bottle:

Summit (short fill nozzle)

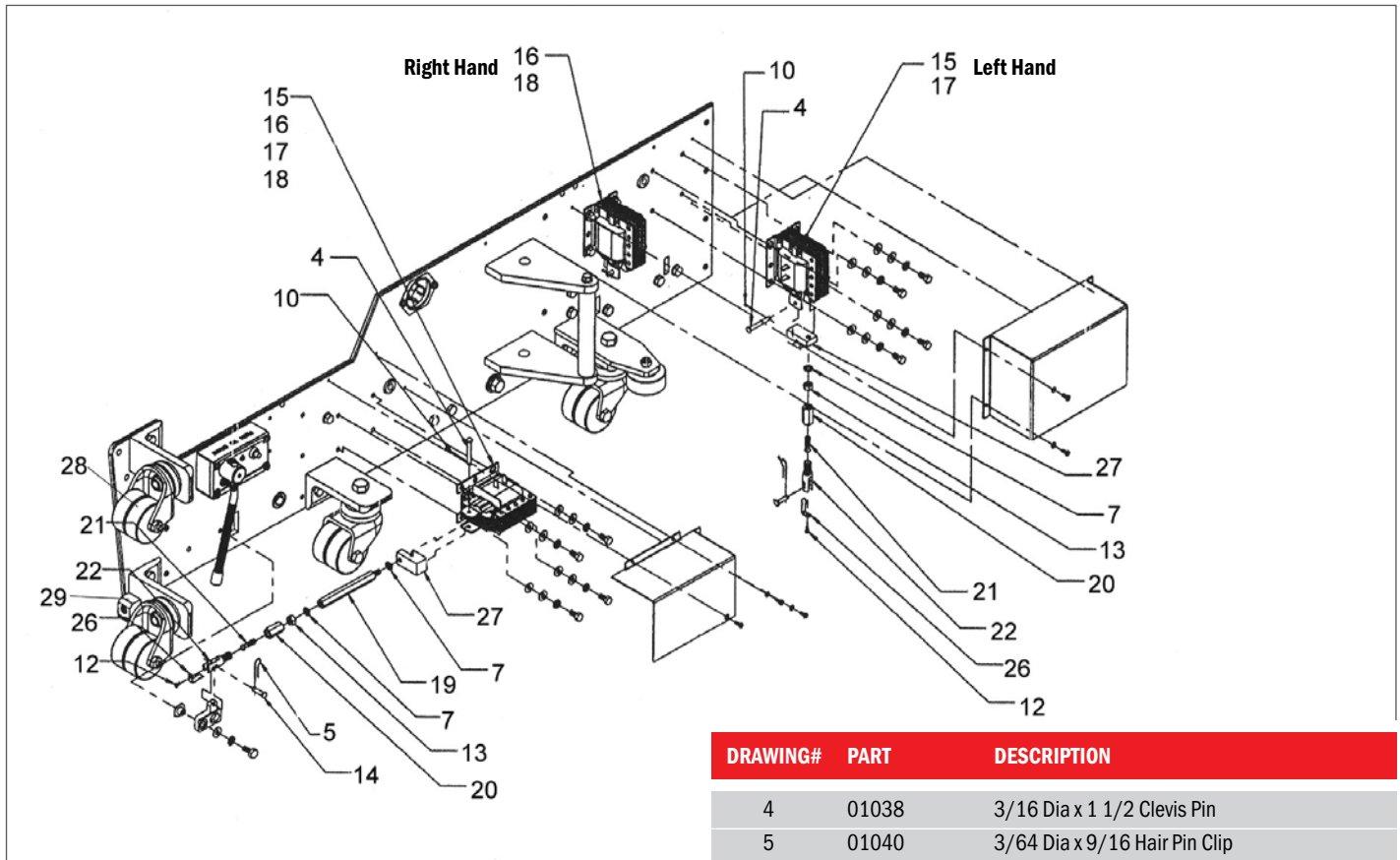
**SA1227**

2nd bottle:

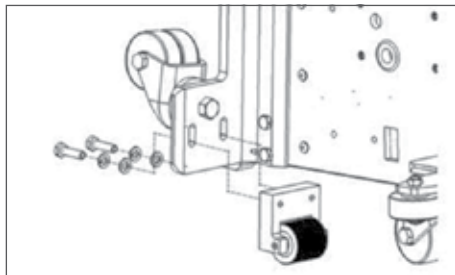
EZTouch & Express (long fill nozzle)

**294116262**

## FRAME ASSEMBLY

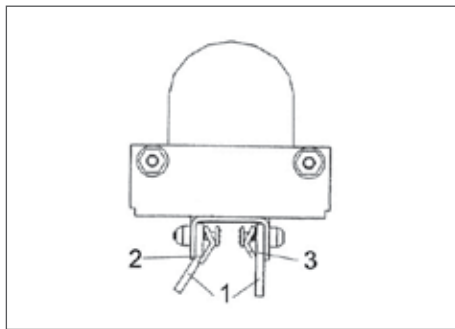


DRAWING#	PART	DESCRIPTION
1	612294009	Kit, Approach Lift Roller



Kit includes drill template, mounting hardware, and 2 rollers to raise the machine at the foul line thus preventing the rear dash end rollers from tracking oil onto the approaches.

## VAC HEAD ASSEMBLY



DRAWING#	PART	DESCRIPTION
1	SV21	Squeegee (sold as each, 2 required)
2	SA0283	Squeegee Bracket REAR
3	SVA4	Squeegee Bracket FRONT

DRAWING#	PART	DESCRIPTION
4	01038	3/16 Dia x 1 1/2 Clevis Pin
5	01040	3/64 Dia x 9/16 Hair Pin Clip
7	01053	1/4 External Lock Washer
10	01080	1/16 Dia x 1/2 Cotter Pin
12	01135	4-40 x 1/4 Pan Head Machine Screw
13	01214	1/4-28 hex Steel Machine Nut
14	01215	3/16 Dia x 3/4 Clevis Pin
15	294002033	Solenoid 110V (LH)
16	294002032	Solenoid 110V (RH)
17	294002274	230V Solenoid (LH)
18	294002275	230V Solenoid (RH)
19	A0344	Buffer Linkage Extension
20	A4036	Pressure Adjusting Nut
21	A4037	Pressure Adjusting Swivil
22	A4038	Pressure Linkage Rod
26	A4055	Detent Spring
27	A8328	Solenoid Linkage Block
28	04292	Dual Caster with Dust Cap
29	A0586	Pivot Caster Block

DRAWING#	PART	DESCRIPTION
----------	------	-------------

Common Parts		
2	294115049	Buffer Belt
6	294115300	Optical Sensor Pin Deck
7	294002032	Solenoid 115V
	294002274	Solenoid 220v
8	294002033	Solenoid 115v
	294002275	Solenoid 220v
10	294115299	Optical Sensor Approach
11	04322	Filter Bowl
	04322-1	Filter Mesh Screen
14	SV72	Squeegee (2 required)
16	SA0244	Guide Wheel Assy
	A0024	Guide Wheel Spring
	A0025	Guide Wheel Washer
17	294115404	Drive Wheel
18	A5558	Idler Spring

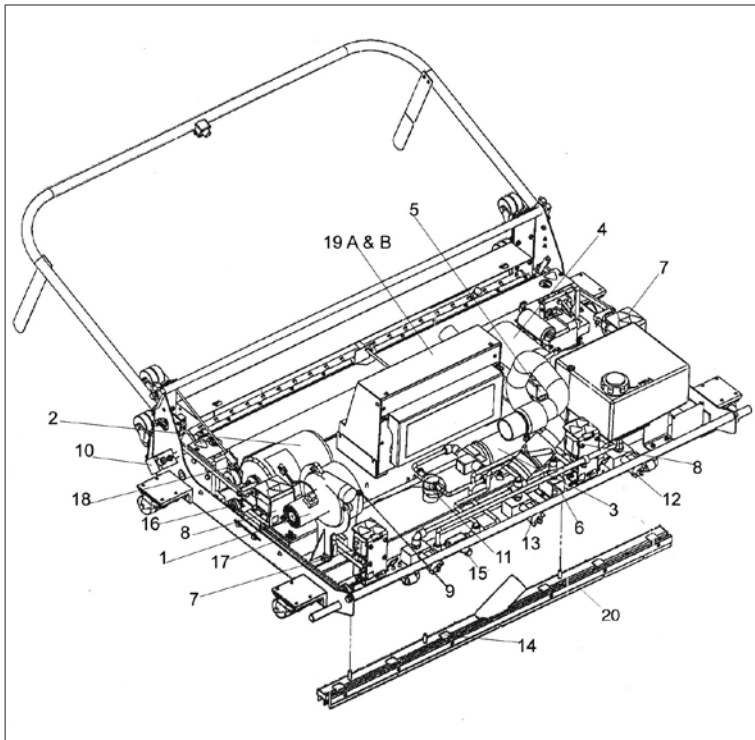
115v Fuses		
n/a	294115366	2A Cleaner Pump
n/a	294115166	4A Oil Transfer Roller
n/a	294115373	10A Vacuum Motor
n/a	294115374	6.25A Drive Motor
n/a	294115375	8A Buffer/Vac Solenoids
n/a	294115419	500mA Logic Board

220v Fuses		
n/a	294115365	1A Cleaner Pump
n/a	294115366	2A Oil transfer Roller
n/a	294115367	5A Vacuum Motor
n/a	294115166	4A Drive Motor
n/a	294115166	4A Buffer/Vac Solenoids
n/a	294115419	500mA Logic Board

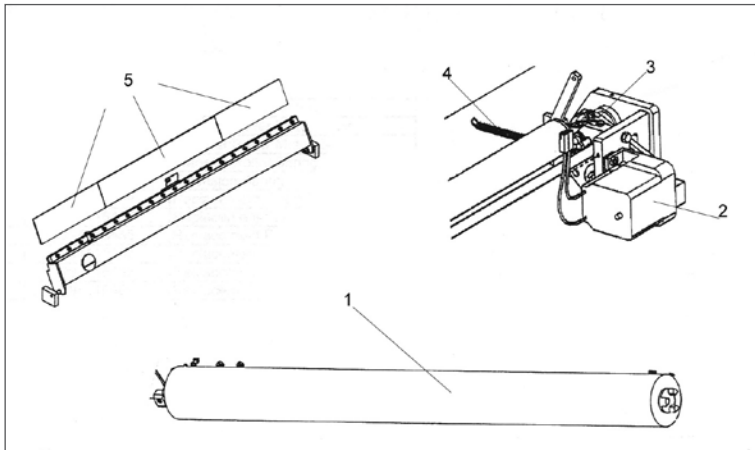
MODEL A ONLY - Metal Hood Cover		
1	294115042	Vacuum motor 115v
	294115728	220v Vac Motor Asm
2	294115038	Buffer Motor 115v
	294115270	Buffer Motor 220v
3	02206	Cleaner pump 115v
	294115287	Cleaner Pump 220v
4	02525	115v Drive Motor
	294115326	Drive Motor Assy 220v
5	294115046	Encoder
9	A8307	Tank Seal
12	294115067	Nozzle Head
	294115068	Nozzle Tip - Orange
	294115070	Viton Washer
13	294115067	Nozzle Head
	294115069	Nozzle Tip - Green
	294115070	Viton Washer
15	294115075	Flow Valve Assy
19a	294115423	Control Box Assy 115v
	294115424	Control Box Assy 220v
20	294115029	Foam Agitator

MODEL B ONLY - Plastic Hood Cover		
1	02214	Vacuum motor 115v
	02255	Vacuum motor 220v
2	294115038	Buffer Motor 115v
	294002268	Buffer Motor 220v
3	02206	Cleaner Pump Assy 115v
	294115730	Cleaner Pump Assy 220v
4	02525	Drive Motor Assy 115v
	294115325	Drive Motor Assy 220v
9	A8307	Tank Seal
	294002547	Tank Seal for 220V Machine Serial # 200910120004 and Up
12	294002403	Nozzle Body
	294002407	Spray Nozzle Right/Left
	294002401	Strainer /check Valve
13	294002403	Nozzle Body
	294002406	Spray Nozzle Center only
	294002401	Strainer /check Valve
15	294115636	Flow Valve Assy
19b	294115659	Control Box Assy 115v
	294115658	Control Box Assy 220v
20	294115656	Foam Agitator
n/a	294002254	5A Buffer Motor Fuse 220v
	294002326	5A Buffer Motor Fuse 115v

## EXPRESS



## OIL SECTION



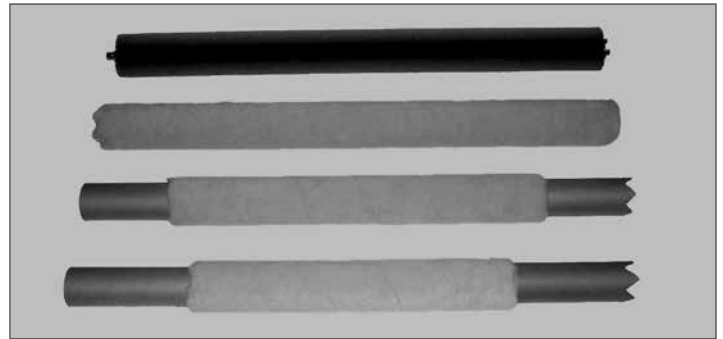
DRAWING#	PART	DESCRIPTION
----------	------	-------------

1	SA1182	Buffer Tube Assembly
2	294115558	Transfer Roller Motor 110V
	294115559	Transfer Roller Motor 240V
3	A0583	Transfer Roller Spring
4	294115171	Extension Spring Model A
4a	294115711	Buffer Spring Model B
5	294115490	Replacement Foam Strip Super High #4
	294115488	Replacement Foam Strip High #5
	294115486	Replacement Foam Strip Medium High #6
	294115484	Replacement Foam Strip Medium #8
	294115482	Replacement Foam Strip Medium Low #10

## CONDITIONER APPLICATION BUFFERS

### BUFFING SECTION COMPONENTS & ACCESSORIES

A0420	Brush Drive Coupling End
RP43	Buffer Pressure Adjustment Tool
SA1105	Buffer Drive Bearing - SB, Magnum, PC
SA1106	Buffer Idler Bearing - SB, Magnum, PC
SA3014	Buffer Adjusting Block Assembly
A0409	Buffer Bearing Return Spring
A8328	Solenoid Block - Gemini, AVLS, PC
A0344	Buffer Linkage Extension - Gemini, PC



### BELTS

03038	Buffer Motor Belt - 100A, Ultralite, Gemini
03042	Buffer Motor Belt - 100B, C, D
03065	Buffer Motor Belt - ALC, Advantage
03037	Cam Box Belt - 100
03099	Buffer Drive Belt

### BUFFER TUBE AND COVER ASSY

SA1182	Buffer Brush Assembly
RP110	Buffer Tube Cover
294002301	7 - 7 Buffer Tube Mohair Cover
SA1106	Buffer Idler Bearing
SA3014	Buffer Adjusting Block Assy
A0079	Rubber Bearing - Drive Bearing
A0409	Buffer Bearing Return Spring
A8328	Solenoid Block - Gemini, AVLS, PC
A0344	Buffer Linkage Extension - Gemini, PC

## OIL TANKS & ACCESSORIES

### OIL TANKS, FELTS & ACCESSORIES

RP59	Oil Tank Repair Kit
B1032C	36" HF Oil Tank Felt Grey
B0227	Oil Tank Retainer
SA6525	Dip Stick Assy
SA0213	Dipstick Long
A0263	Viton Dipstick Washer
04093	Viton Washer - Gemini

### OIL TANK FUNNELS, SHIMS & GAUGE

RP42	Small Plastic Funnel w/ Screen
RP115	Large Plastic Funnel w/ Screen
RP116	Long Neck Funnel
SA5044	Calibration Kit w/ Shims
RP72	Oil Tank Pressure Gauge Kit w/ Shims
SA1227	Summit Oil Fill Bottle
RP59-1	Wick Insertion Tool
RP72A1	Oil Tank Pressure Gauge Only

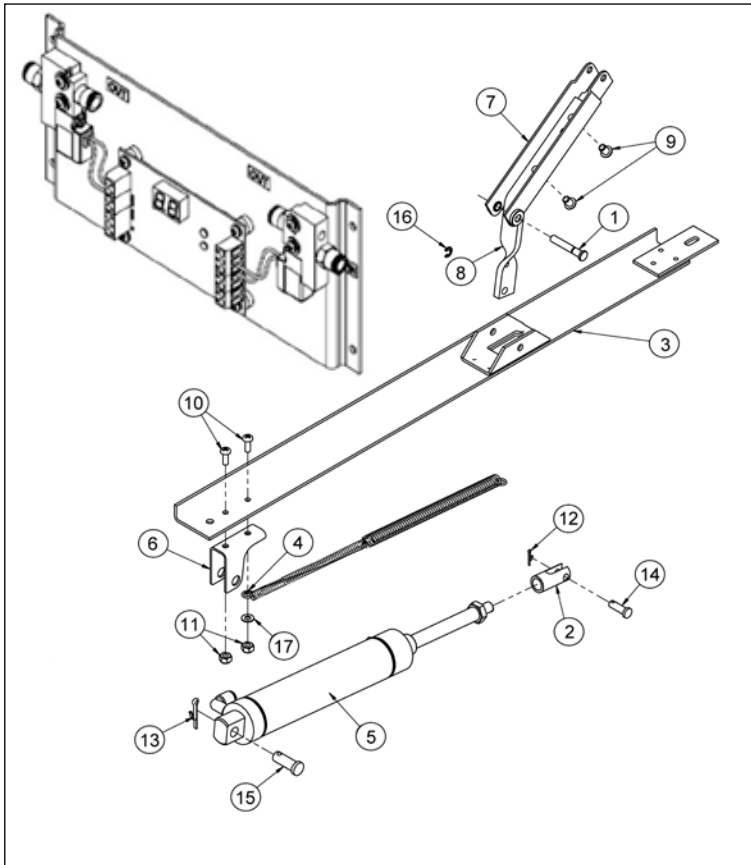
### REPLACEMENT TANK PIVOTS & PARTS

SA1065	Oil Tank Adjusting Pivots - 100 & 300
A0632	Tank Adjusting Bolt
A0633	Tank Adjusting Pivot Rod
04158	Retaining Ring
294002446	Double Caster Bracket RS
294001007	Hitch Pin

### TANK LINKAGE & SPRINGS

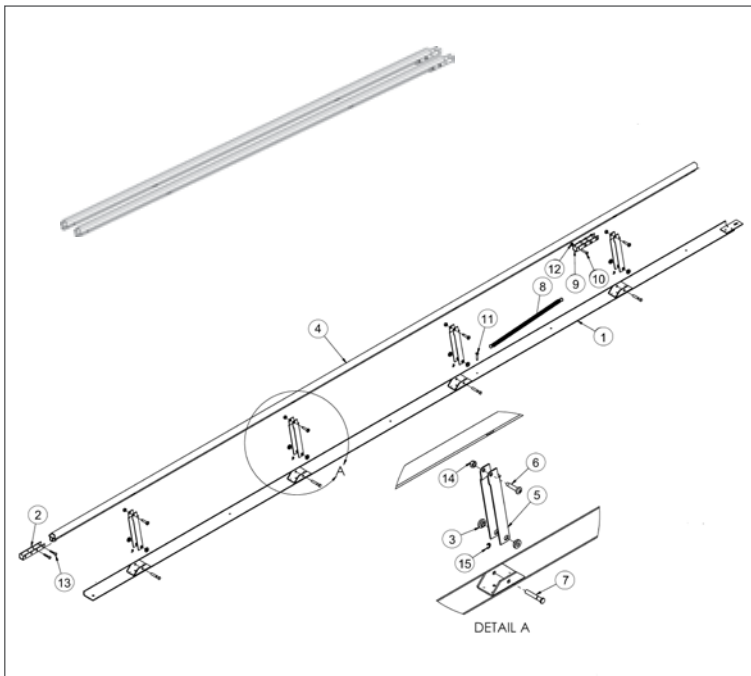
SA0299	Headless Hitch Pin
A0603	Tank Pull Rod - Gemini, PC, 100 C & D
A0553	Tank Push Rod - 100 A & B
A5037	Oil Tank Linkage Spring
A5038	Oil Tank Return Spring - 100 C & D, SB
A0231	Tank Tilt Spring Retainer Front - 100 A & B
A0232	Tank Tilt Spring Retainer Rear - 100 A & B
A0233	Oil Tank Spring - 100 A & B
SA1186	Shut Off Arm Spring W/C

## AUTO OPENER ASSEMBLY



DRAW#	PART#	DESCRIPTION
	049007175QA	Valve Control Asm
	049-007-174	Auto Opener Sub Asm Rh (Not Shown)
1	049-007-148	Lower Pivot Pin
2	049-007-190	Clevis Modified
3	049-007-191	Angle Base Weldment L/H
	049-007-192	Angle Base Weldment R/H (Not Shown)
4	049-007-198	Spring
5	049007263	Bumpers Air Cylinder Asm
6	049-007-230	Mounting Bracket. Cylinder
7	049-007-260	Auto Bumper Upright Asm
8	049-007-262	Activator Arm
9	808-549-060	Screw 1/4-20 X 3/8, Soc, Button Hd, Black
10	813-240-082	Screw 10-32 X .50, Phll, Pan Head
11	838-740-002	Nut, Hex Nylock Locknut,#10-32
12	01080	Cotter Pin 1/16 X 1/2
13	911-023-160	Cotter Pin 1/8 X 1
14	911-548-120	Pin 1/4 X 3/4, Clevis
15	911-564-200	Pin 3/8 X 1", Clevis
16	919-015-055	E-Clip M5
17	948-545-072	Washer.#10, Flat. Zinc

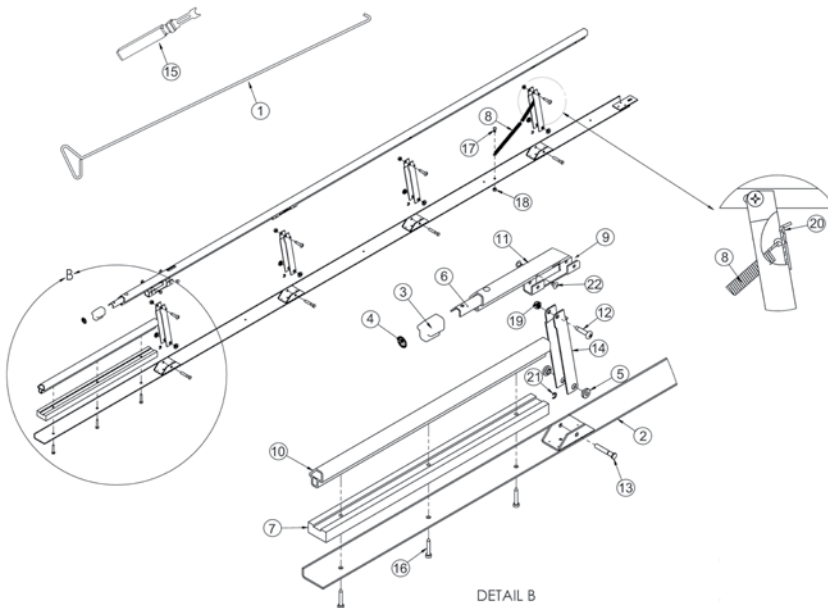
## 10' BUMPER ASSEMBLY LH 049-007-007-X



DRAW#	PART#	DESCRIPTION
1	049-007-007-X	10' Section Bump Assy LH
1	049-007-010-X	10' Section Bump Assy RH
2	049-007-029	U-Bracket
3	049-007-042	Bushing
4	610049075-X	Bumper Rail 10' LH/RH Kit (comes in 2-5' sections)
5	049-007-081	Upright Bracket
6	049-007-124	Shdlr Bolt M6 26L Phil 3
7	049-007-148	Lower Pivot Pin
8	049-007-178	Return Spring
9	049-007-179	Spring Hook Bracket
10	812-539-160	Screw #10-24 X 1" Pan Head Phillips #2
11	821-540-910	Screw, #10 X 1" Self Drilling Oval Head Phillips
12	839539002BG	Nut Lock, #10-24, Nylon Insert (Bag of 10)
13	813-240-890	Phillips Machine Screw
14	872-062-017	Nut M6-1 Nylon Insert
15	919-015-055	E-Clip M5

610049075-X - Kit consists of two 5' bumper rail sections with U-brackets and screws to couple them into one 10' replacement rail.

## 8' BUMPER ASSEMBLY LH 049-007-006

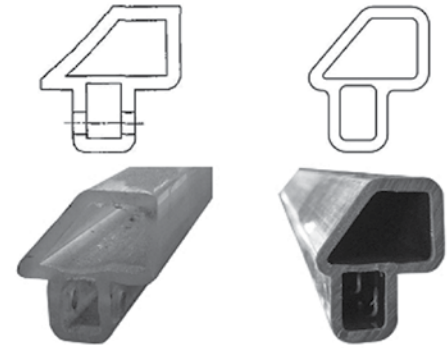


### Old Style End Cap

049007064 Left Hand Cap  
049007065 Right Hand Cap

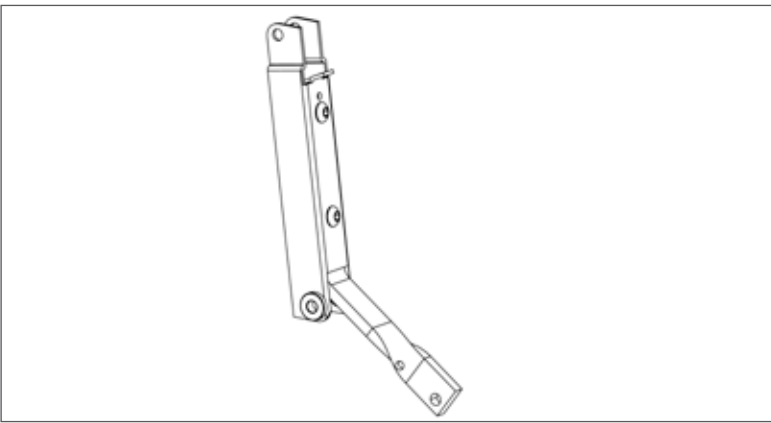
### New Style End Cap

049007138 Left Hand Cap  
049007142 Right Hand Cap



DRAW#	PART#	DESCRIPTION
	049-007-006-X	8' Bumper Assembly Lh
	049-007-009-X	8' Bumper Assembly Rh (Not Shown)
1	049-007-011	Bumper Gutter Key
3	049-007-064	Bumper End Cap Lh
	049-007-065	Bumper End Cap Rh (Not Shown)
4	049-007-024	Warning Label (Hand)
5	049-007-042	Bushing
6	049-007-056	Rh Or Lh Steel Insert
8	049-007-068	Upright Spring
9	049-007-093	H bracket kit (contains 2ea H bracket and 10ea rivets (#21))
10	049007079-X	Filler Piece L/R Side
11	049-007-092-X	8' Rail L/H Assembly
	049-007-091-X	8' Rail R/H Assembly (Not Shown)
12	049-007-124	Shdlr Bolt M6 26L Phil 3
13	049-007-148	Lower Pivot Pin
14	049-007-081	Upright Bracket
15	294-007-170	E-Clip Tool
19	872-062-017	Nut M6- 1 Nylon Insert
20	911-023-160	Cotter Pin 1/8 X I
21	938-205-101	Rivet Blind Alum M5 10L
22	919-015-055	E-Clip M55

## NEW & IMPROVED - AUTO OPENER ASSEMBLY



049007133 Activator Arm, Bracket & Hardware Kit

### Each kit includes the following:

1	049007260	Auto Bumper Upright Assy.
2	049007262	Activator Arm
3	808549060	Button Head Screw, Black, 1/4-20 x 3/8 (Qty 2)

**XS BUMPERS VER 3**

**Plastic Rail with the connector between rail being a small barrel shaped pin inserted in the side of the rail.**

PART#	DESCRIPTION
01416	6-32 Nylon Insert Locknut Pltd
948648092	Wshr-.251X.597X.072
7036002520000	1/4-20 Nylon Nut
7050018048004	3/16" X 31/64" Flat Washer
7080300000100BG	Cap, Fastener, Bag Of 5
843149002BG	Nut-Kep 1/4-20 Wash Bag (10)
A000820	Rod Clevis For A-0008-10
A000910	Air Cylinder
A000930	Fitting Straight 1/8" Pipe X 1
A000942	Plug 1/8 Pipe With .040 Hole
A000950	Solenoid Valve Asy. - 12Vdc -
BUMBOXBCU2	Bumper Interface Bcuii Bx Xs
M0009014	Pivot Plate Rh
M0009017	Pivot Plate Lh
M0009064	Q Cylinder Mount Plate Rh
M0009067	Cylinder Moun Plt Lft
M000907	Flanged Bearing St-1216
M000908	Sleeve Bearing SS-812
060140008	Common Bumper Ball Rail
P000967	Bumper Rail Arm
P000968	Bumper Rail Connect Link
P000969	Bumper Rail Arm Pin
P000971	Bumper Start Finger
S0801	Sensor Lift Cam Spring Sm
SUB067	Power Supply 110Vac

**XS BUMPERS VER 1**

**Aluminum bumper rail material.**

PART#	DESCRIPTION
SPAPLABUMXS049	XS Cylinder Lift Pivot
SPAPLABUMXS048	Pivot Arm
SUB00047	Rail Connector
SUB00046	Cap Plug, Black
SUB101	Front Ramp Stationary
SUB099	Front Ramp Movable - Left

**Q-BUMP I**

**Hinged gutter bumper system.**

PART#	DESCRIPTION
QB6	Bumper Contact Strip

**HWY 66 BUMPERS**

**Highway 66 bumpers.**

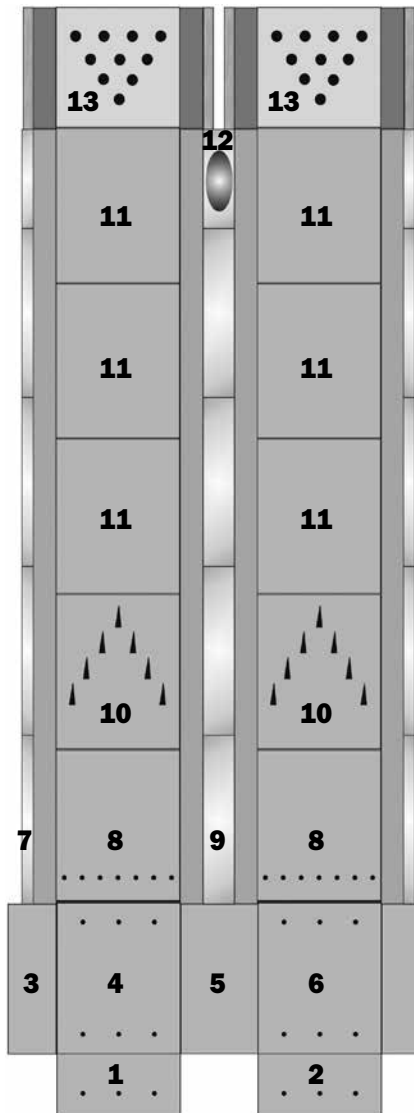
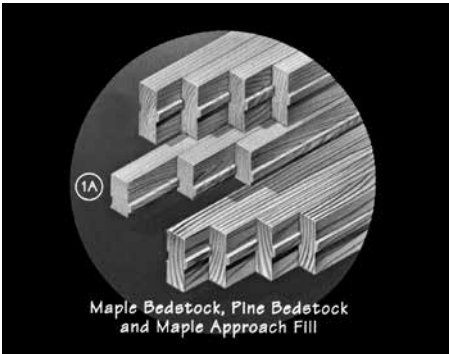
PART#	DESCRIPTION
P000969	HWY66 Bumper Rail Arm Pin
P000967	HWY66 Bumper Rail Arm
P000968	HWY66 Bumper Rail Connect Link
P000971	HWY66 Bumper Start Finger
P000976	HWY66 Arm Pivot Pin
060140008	HWY66 Common Bumper Ball Rail
P0009672	HWY66 Start Bumper Ball Arm
7016410632150	6-32 X 1 1/2" MA SC RH Soc

**HIGHWAY 66 BUMPER BALL LOCK ASSEMBLY**

PART#	DESCRIPTION
SB000911	HWY66 Bumper Ball Lock Asm
9105042	Compression Spring
M000911	Bracket
M000912	Flange Bearing
M000913	T-Lock Shaft
7052034056003	11/32" X 9/16" SPACER WASHER

# LANE PARTS

## LANE BEDS & APPROACHES



- 1 Short Approach, Odd, LH
- 2 Short Approach, Even, RH
- 3 Full Fill, 42'6" x 142'7"
- 4 Long Approach, Odd, LH
- 5 Narrow Fill, 13'6" x 142'7"
- 6 Long Approach, Even, RH
- 7 Capping
- 8 Head Panel
- 9 Coverboard
- 10 Arrow Panel
- 11 Pine Panel
- 12 Downsweep Enclosure
- 13 Pin Deck

Part #	Description
049009105	Patching Stock Maple 15/64" x 3/4" random lengths (bundle)
049009205	Patching Stock Pine 15/64" x 3/4" random lengths (bundle)
049005501	Approach Fill 70" Bundle
909172260	Maple Dowel 11/16"
909172000	Maple Dowel 1/2"
909084000	Pine Dowel 11/16"
045006503	Walnut Dowel 11/16"
045006502	Walnut Dowel 1/2"
045006501	Arrow Dart
049001001	1/2" Fiber Foul Line (1/2 x 1/2 x 42")
049001002	3/4" Fiber Foul Line (1/2 x 3/4 x 42")
049001500	1/2" Fiber Pin spot (for replacements)
049001501	3/4" Fiber Pin spot
910537280	3/16" Fiber Dowel (2/pin spot, 6/foul line)
049006625	DuraBowl Edgeboard 1"
049003116	Durabowl Edgeboard Strip only (replaces fiber strip)
049006624	Durabowl Tail Plank
814859642	#20 x 4" PHFH Wood Screw (wood lane to foundation)
814852562	#16 x 3-1/2 PHFH Wood Screw (maple approach to foundation)
716007003	8D Screw Nail 2-1/2" (1 lb)
716002003	8D Coated Sinkers (1lb)
716002004	12D Coated sinker (1lb)

## SYNTHETIC LANE REPAIR

Drawing #	Part #	1/2" Synthetic Lane Replacement Panels For HPL Lanes
#8	049200154	SPL II Head Panel 1/2 Cut
#10	049200155	SPL II Arrow Panel 1/2 Cut
#11	049200156	SPL II Pine Panel 1/2 Cut
#8	049200154GT	SPL II Head Panel 1/2 GT Cut
#10	049200155GT	SPL II Arrow Panel 1/2 GT Cut
#11	049200156GT	SPL II Pine Panel 1/2 GT Cut
#8	049200110	HPL 9000 Head Cut
#10	049200111	HPL 9000 Arrow Head Cut
#4	049200151	Appr 1/2 LH Odd Long Cut
#6	049200153	Appr 1/2 RH Even Long Cut
#1	049200150	Appr 1/2 LH Odd Short Cut
#2	049200152	Appr 1/2 RH Even Short Cut
#5	049200158	1/2 Narrow Fill
#3	049200159	1/2 Wide Fill

Drawing #	Part #	3/8" SPL Replacement and Ultra Slide Panels
#8	049200104	SPL II Head Panel 3/8 Cut
#10	049200105	SPL II Arrow Panel 3/8 Cut
#11	049200106	SPL II Pine Panel 3/8 Cut
#8	049200104GT	SPL II Head Panel 3/8 GT Cut
#10	049200105GT	SPL II Arrow Panel 3/8 GT Cut
#11	049200106GT	SPL II Pine Panel 3/8 GT Cut
#4	049200101	US 3/8 Appr LH Odd Long Cut
#6	049200103	US 3/8 Appr RH Even Long Cut
#1	049200100	US 3/8 Appr LH Odd Short Cut
#2	049200102	US 3/8 Appr RH Even Short Cut
#5	049200108	3/8 Narrow Fill
#3	049200109	3/8 Wide Fill



**Part #**                      **Miscellaneous Items**

610490136	Hardware Kit for Replacement Panels (1 kit/panels) * = included in kit
049200013*	1/2" x 1/8" Plugs (bg/100)
049200014	1/2" x 1/8" Plugs (bg/50)
049006772	3/4" x 1/8" Plugs (bg/10) for Pindeck and 9000 HPL
610049021	Pin Deck Edge Plate Kit
610049022	Pin Deck Tail Plate Kit
700108880*	Caulking
049006387*	#10 x 1-1/4" PFH Screw
610490611	SPL #10 x 1-3/4" PFH Screw Kit (25ea)
814852802	#16 x 5" PFH (Pindeck to foundation)
814852642	#16 x 4" PFH Screw
814852402	#16 x 2-1/2" PFH Screw (Overlay)
814852482	#16 x 3" PFH Screw
049006680	#14 x 2" Screw
829642202	#12 x 1-1/4 PFH Screw
610490106	Paper Shim Kit

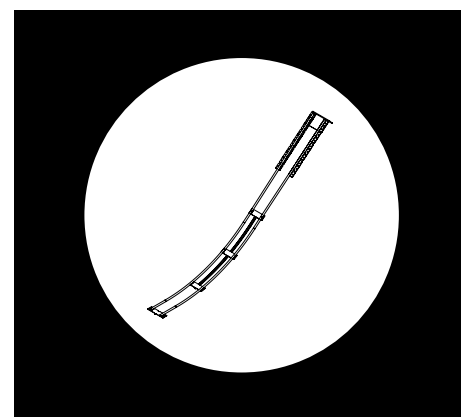
**Part #**                      **Durabowl Coverboard and Capping**                      **DURABOWL COVERBOARD & CAPPING**

049008570	Durabowl GLOW Coverboard Set (7 pcs 10-1/2" x 96") complete run from foul line
049008571	Durabowl GLOW Coverboard 1pc 10-1/2" x 96"
049008573	Durabowl GLOW Capping Set (8 pcs 2-3/4" x 96") complete run from foul line
049008574	Durabowl GLOW Capping 1pc 2-3/4" x 96"
813247080	#14 x 1-3/4" Philips Pan Head Screw for capping
049008572	Durabowl GLOW Downsweep Enclosure
049008576	Durabowl Glow Solid Downsweep Enclosure
049009623	9/16" GLOW Coverboard Plug (bg of 77)
049009622	9/16" Glow Capping Plug (bg of 43)



**Part #**                      **New Style Rail Track**                      **NEW STYLE RAIL TRACK**

610496591*	Adjustable Rail Downsweep
049006353	Rail Downsweep
049006362*	Rail Track 67'3" (8ea 8' section)
049006350	Rail track 1 section 8'
049006360*	Plastic Rail runner 150' roll
049006363*	Rail Track Hardware Kit
610494444	Track Shim
049006359	Rail Adapter Plate
809849125	HHCS 1/4-20 x 3/4"
809849085	HHCS 1/4-20 x 1/2"
951148002BG	1/4 Lockwasher (bg/10)
610494755*	New Style Ball Track Package (*=included in package)



**Part #**                      **Old Style Track**

167003122	Plastic Runner Black 67'
167002014	Track Clip
000021186	Rail Track Clamp
000021179	Return Track End Metal
000021165	Brkt Transition Underlane Rtn
000021185	Track Plt Weld Underlane FE Front End Section

**Part # DURABOWL GUTTERS AND ACCESSORIES**

049007003-X	Durabowl 4 section gutter set for bumpers (includes couplings and end ramp)
049007200-X	Durabowl one section gutter for bumpers 14'7" long
610494964	4 section Grey Gutter set NO bumpers (includes couplings and end ramp)
610494962	4 section Blue gutter set NO bumpers (includes couplings and end ramp)
610494963	4 section Brown gutter set NO bumpers (includes couplings and end ramp)
610494970-X	one section gutter NO bumpers 15' long (Blue, Grey, Brown, R = Red)
049006043-G	Durabowl Grey end ramp (approach end)
049006043-N	Durabowl Brown end ramp (approach end)
610494640-X	Gutter Coupling Set (3) 1.5" NO Bumper (blue, grey, brown)
614286072-X	Gutter coupling Set (3) 1" for bumpers (blue, grey, brown)
610494639-X	Gutter Coupling Set (3) for Bumpers 1.5" (blue, grey, brown)
610494329-X	Gutter Coupling Set (3) 1" NO Bumper
610490238	Universal gutter Block (pit end)

**Color (X): G = Grey, B = Blue, N = Brown**

**Part # FLAT GUTTERS and KICKBACK PLATES**

049007223	Durabowl Flat gutters (2 per box = 1 lane. Fits AMF or Brunswick)
049000677	Durabowl RH moulding (looking from foul line)
049000678	Durabowl LH moulding (looking from foul line)
814852282	#16 x 1 3/4" FHWS (for installing Flat Gutters)
049000698	Durabowl 1/4 Round Fiber Board (for Wood Gutters)
049001723	15" x 33" Durabowl Kickback plate (requires 1/4 lb. kickback nails not included)
049001720	15" x 50" Durabowl Kickback plate (requires 1/4 lb. kickback nails not included)
049001721	15" x 33" Fiber kickback plate
049001751	AMF Kickback w/Durabowl Plate RH
049001753	AMF Kickback w/Durabowl Plate LH
049001752	AMF Kickback w/ Durabowl Plates Double
716014011BG	Kickback Nails 1 lb.

## ROTARY ABRASIVES

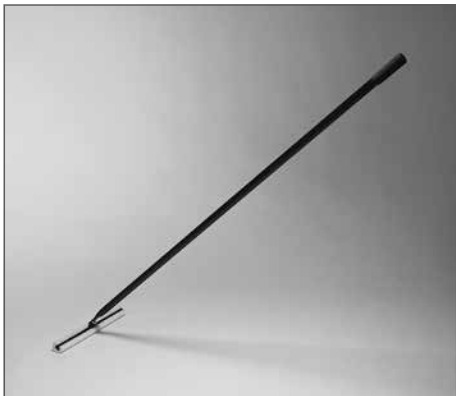
80 Grit Sanding Screen Discs.	<b>Product Code</b>	<b>294007009-4</b>	<b>18" diameter</b>
		<b>294007010-4</b>	<b>19" diameter</b>
100 Grit Sanding Screen Discs.	<b>Product Code</b>	<b>294007010-3</b>	<b>19" diameter</b>
120 Grit Sanding Screen Discs.	<b>Product Code</b>	<b>294007009-2</b>	<b>18" diameter</b>
320 Grit Sanding Screen Discs.	<b>Product Code</b>	<b>294007100-1</b>	<b>18" diameter</b>
		<b>294007101-1</b>	<b>19" diameter</b>
Resinite Lane Sanding Discs. 19" Diameter x 2"C.H. with 8 Slots 1 1/2" long.	<b>Product Code</b>	<b>294007089-3</b>	<b>60 Grit</b>
		<b>294007089-2</b>	<b>80 Grit</b>
		<b>294007089-1</b>	<b>100 Grit</b>



### ROTARY SANDING SUPPLIES

All QubicaAMF 3M rotary sanding screens and disks are made with silicon carbide abrasive for strength and durability.

## WATER BASED APPROACH



### WATER BASED APPROACH APPLICATOR KIT

Simple and easy to use, this applicator is traditional in design but lighter in weight. Two piece handle allows for easy transport between job sites. Includes one refill.

<b>Product Code</b>	<b>294600300</b>	<b>Kit</b>
	<b>294007031</b>	<b>Single Refill</b>

## RESURFACING SUPPLIES



### RESURFACING & RECOATING SUPPLIES

Epoxy Injection. Injection of wood lanes is a proven method of extending the life of your lanes and increasing customer satisfaction. Requires 2 parts Compound A to 1 part Hardener B.

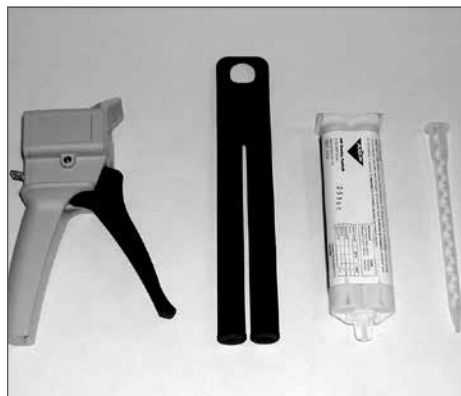
<b>Product Code</b>	<b>294007081</b>	<b>Compound A</b>
	<b>294007082</b>	<b>Hardener B</b>

Oil Lift. Oil absorbent compound.

<b>Product Code</b>	<b>294007078</b>	<b>50 lb. box</b>
---------------------	------------------	-------------------

Tack Cloth. 150 yd. roll. Cut to 43" x 9", unfolds to 43" x 36".

<b>Product Code</b>	<b>294007080</b>
---------------------	------------------



Epoxy Patch. Easy to use, makes lane repair simple.

<b>Product Code</b>	<b>294007075</b>	<b>(75 ml)</b>
	<b>294007105</b>	<b>(300 ml)</b>

Epoxy Patch Trigger Dispenser. Supplied with 1:1 mixing plunger.

<b>Product Code</b>	<b>294007062</b>	<b>(75 ml)</b>
	<b>294007106</b>	<b>(300 ml)</b>

Plunger. For use with QuibicaAMF Epoxy Patch. Replaces 50 ml plungers from older non-trigger dispensers.

<b>Product Code</b>	<b>294007099</b>	<b>(75 ml)</b>
---------------------	------------------	----------------

Epoxy Patch Mixing Nozzle.

<b>Product Code</b>	<b>294007063</b>	<b>(75 ml)</b>
	<b>294007104</b>	<b>(300 ml)</b>

	PreBase Stain	100% Solids Base	100%UV Solids Top
<b>Part Number</b>	<b>294007049N</b>	<b>294007043N</b>	<b>294007054N</b>
Product Definition	Moisture Cure	100% Solids	100 % Solids
Feature	Quick Drying	Screens Easily	Less Hard than Astro
Unit of measure (UOM)	5 gal.	12 kits / case	12 kits / case
Coverage per UOM	20 Lanes	12 Lanes	12 Lanes
Applicator Type	Multi-Purpose	100% Solids	100% Solids
Recommended Applicator Refill Desc.	Nap	Squeegee	Squeegee
Recommended Applicator Refill Part #	294007036	294007032	294007032
Recommended Applicator weight	H,M,L	25-30 lbs	25-30 lbs
Pot Life	1 Hour+	10 Minutes	10 Minutes
Dry time	2 Hours	3-5 Hours	3-5 Hours
Second coat window e.g. 3 to 6 hours	N/A	8-12 Hours	8-12 Hours
Recoat after 30 days	N/A	N/A	21-30 Days
Shelf Life	18 mos.	2 years	2 years
Guarantee (in can/on lanes)	9 mos./3 mos.	9 mos./3 mos.	9 mos./3 mos.
Storage temperature	Above Freezing	Above Freezing	Above Freezing
Freeze/Thaw stable yes or no	Yes	Yes	Yes
Application Temperature product/lane	65-80F	65-80F	65-80F
Screen wood to "X" Grit	60	180	N/A
Screen base to "X" Grit	N/A	Used 80	Used 80
Screen top to "X" Grit for recoat	N/A	N/A	80
Compatibility over Waterbase Top	N/A	No	Yes
Compatibility over Moisture Cure	N/A	No	No
Compatibility over Easy	N/A	No	No
Compatibility over 100%	N/A	No	Yes
Compatibility over Formula MU	N/A	No	Yes
Compatibility over Easy MU	N/A	No	No
Special application instructions			
Instructions different than Brunswick's	No	No	No

## PREBASE STAIN



Recommended for use with all 100% solids base coats, MU Coats, EasyBase or other similar base coats. With a low cost per lane, PreBase Stain is an easy to apply, fast-drying, solvent-based urethane that penetrates the lane and prepares the lane for the base coat application. PreBase Stain strengthens wood structure, providing a superior foundation for the base coat. A slight pigmentation brightens lanes discolored by oil penetration. 5 gallon metal container. Coats 18-20 lanes.

**Product Code** 294007049N  
**Use Applicator**  
**Use PreBase Stain Applicator**  
**(see Applicator Refills)**

## 100% SOLIDS BASE



The bowling surface of our 100% Solids Top Coat sets it apart from other 100% solids top coats. It's more durable, and its surface gives more conditioner control. Non-flammable, VOC compliant, two component, no solvent odors. Can be used for resurfacing over QubicaAMF 100% Solids Base Coat, MU coats, EasyBase or other compatible base coats, or to recoat itself or other 100% solids top coats and compatible urethane finishes. Kit includes 1 can each Resin and Activator. Each kit coats 1 lane. 8 kits per carton.

**Product Code** 294007043N  
**Use Applicator**  
**Use 100% Solids Applicator**  
**(see Applicator Refills)**

## 100% SOLIDS TOP - UV



The bowling surface of our 100% Solids Top Coat sets it apart from other 100% solids top coats. It's more durable, and its surface gives more conditioner control. Non-flammable, VOC compliant, two component, no solvent odors. Can be used for resurfacing over QubicaAMF 100% Solids Base Coat, MU coats, EasyBase or other compatible base coats, or to recoat itself or other 100% solids top coats and compatible urethane finishes. Kit includes 1 can each Resin and Activator. Each kit coats 1 lane. 8 kits per carton.

**Product Code** 294007054N **UV**  
**Use Applicator**  
**Use 100% Solids Applicator**  
**(see Applicator Refills)**

	Easy Base	Easy Top	UV QDT Urethane
<b>Part Number</b>	<b>294007051N</b>	<b>29400755N</b>	<b>294007057N</b>
Product Definition	Urethane	Urethane	Moisture Cure
Feature	2 part system	2 part system	VOC Compliant
Unit of measure (UOM)	2 Gal	2 Gal	5 gal.
Coverage per UOM	3-4 lanes	3-4 lanes	8-10 Lanes
Applicator Type	Multi-Purpose	Multi-Purpose	Multi-Purpose
Recommended Applicator Refill Desc.	Foam Back	Foam Back	Nap
Recommended Applicator Refill Part #			294007029
Recommended Applicator weight	17-20 lbs	17-20 lbs	M,L
Pot Life	3 Hours	3 Hours	1 Hour+
Dry time	3 Hours	3 Hours	6-8 Hours
Second coat window e.g. 3 to 6 hours	8 hours	N/A	N/A
Recoat after 30 days	N/A	N/A	After 30 Days
Shelf Life	1 Year	1 Year	18 mos.
Guarantee (in can/on lanes)	9 mos./3 mos.	9 mos./3 mos.	9 mos./3 mos.
Storage temperature	Above 50F	Above 50F	Above Freezing
Freeze/Thaw stable yes or no	Yes	Yes	Yes
Application Temperature product/lane	70-80F	70-80F	65-80F
Screen wood to "X" Grit	180	N/A	N/A
Screen base to "X" Grit	Used 80	Used 80	N/A
Screen top to "X" Grit for recoat			80
Compatibility over Waterbase Top	No	N/A	No
Compatibility over Moisture Cure	No	N/A	Yes
Compatibility over Easy	Yes	Yes	No
Compatibility over 100%	Yes	Yes	Yes
Compatibility over Formula MU	Yes	Yes	Yes
Compatibility over Easy MU	Yes	Yes	No
Special application instructions			No
Instructions different than Brunswick's			No

## EasyBASE



The benefits of a 100% solids base coat with simple application. EasyBase is a VOC compliant, two component, durable base coat. It may be used during resurfacing over PreBase Stain or other compatible stain products. Kit includes 1 can each Resin and Activator. Each kit will coat 5-6 lanes. 1 kit per carton.

**Product Code 294007051N**

Use Applicator

**Use Regular Nap - Foam Back OR Easy Foam applicator (see Applicator Refills)**

## EasyTop



The benefits of a 100% solids base coat with simple application. EasyTop is a VOC compliant, two component, durable top coat. It may be used during resurfacing over 100% Solids Base Coat, EasyBase or to recoat itself or other 100% solids top coats and compatible urethane finishes. Kit includes 1 each Resin and Activator. Each kit coats 5-6 lanes. 1 kit per carton. Part number to 294007055

**Product Code 294007055N**

Use Applicator

**Use Regular Nap - Foam Back OR Easy Foam Applicator (see Applicator Refills)**

## QDT URETHANE UV



This moisture cure urethane top coat finish is truly simple to apply. Flows well, levels quickly and dries fast. Not VOC compliant. Excellent for recoats to control finish build-up after multiple recoats. Can be recoated over itself, QubicaAMF HS Urethane top coat or other compatible urethane top coats. 5 gallon metal container. Coats 8-9 lanes.

**Product Code 294007057N UV**

Use Applicator

**Use Regular Nap Applicator (see Applicator Refills)**

# LANE FINISH PRODUCTS - CONTINUED

	UV Waterbase Top	Waterbase Base	WB Approach	WB Approach Recoat
<b>Part Number</b>	<b>294007074N</b>	<b>294007044N</b>	<b>294007050N</b> <b>294007151N</b>	<b>294007066N</b> <b>294007161N</b>
Product Definition	Water Base	Water Base	Water Base	Water Base
Feature	Needs Activator	Needs Activator	Minimal Shoe Marking	Minimal Shoe Marking
Unit of measure (UOM)	5 gal.	5 gal.	4X1 gal./ Case	4X1 gal. / Case
Coverage per UOM	10 Lanes	6-7 Lanes	16 Lanes	16 Lanes
Applicator Type	Multi-Purpose	Multi-Purpose	WB Approach	WB Approach
Recommended Applicator Refill Desc.	Nap	Nap	Approach	Approach
Recommended Applicator Refill Part #	294007030	294007030	294007031	294007031
Recommended Applicator weight	M	M	N/A	N/A
Pot Life	1 Hour+	1 Hour+	N/A	N/A
Dry time	3 Hours	2 Hours	2 Hours	2 Hours
Second coat window e.g. 3 to 6 hours	3-4 Hours	N/A	2 Hours	2 Hours
Recoat after 30 days	21-30 Days	N/A	N/A	N/A
Shelf Life	2 years +	2 years +	2 years +	2 years +
Guarantee (in can/on lanes)	9 mos./3 mos.	9 mos./3 mos.	9 mos./3 mos.	9 mos./3 mos.
Storage temperature	Above 50F	Above 50F	Above 50F	Above 50F
Freeze/Thaw stable yes or no	No	No	No	No
Application Temperature product/lane	65-80F	65-80F	65-80F	65-80F
Screen wood to "X" Grit	N/A	180	100	100
Screen base to "X" Grit	N/A	120	N/A	N/A
Screen top to "X" Grit for recoat	100	N/A	100	100
Compatibility over Waterbase Top	Yes	N/A	N/A	N/A
Compatibility over Moisture Cure	No	N/A	N/A	N/A
Compatibility over Easy	No	N/A	N/A	N/A
Compatibility over 100%	Yes	N/A	N/A	N/A
Compatibility over Formula MU	Yes	N/A	N/A	N/A
Compatibility over Easy MU	Yes	N/A	N/A	N/A
Special application instructions			Shake Well	Shake Well
Instructions different than Brunswick's	No	No	No	No

## WATER BASED TOP UV



Durability and bowlability in a water based top coat.

Ideal for newer wood lanes, not yet injected. VOC compliant and non-flammable. Can be used as a recoat finish over itself or other compatible water based top coat finishes. 5 gallon polyethylene container. Coats 9-10 lanes.

### Product Code

**294007074N** UV Water based topcoat 5 gal.  
**294007044-1** Water Based Catalyst

Use Applicator

**Use Regular Nap - Foam Back Applicator (see Applicator Refills)**

## WATER BASED BASE



QubicaAMF Water Based Base Coat is a high solids, flexible base coat finish that is durable, works to control oil penetration and minimizes feathering. It's ideal for newer wood lanes. VOC compliant, nonflammable with low odor. 5 gallon polyethylene container. Recommended two coats. Coats 5-6 lanes with two coats.

### Product Code

**294007044N**  
**294007044-1** Water Based Catalyst

Use Applicator

**Use Regular Nap - Foam Back Applicator (see Applicator Refills)**

## WATER BASED APPROACH FINISH



Excellent durability and slide characteristics make Water Based and ideal approach finish. VOC compliant, non-flammable with low odor. One gallon coats 4 approaches.

**Product code: 294007151N 1 gallon**  
**294007050 4 x 1 gallon**

Use Applicator

**Product code: 294007031N**

## WATER BASED RECOAT APPROACH FINISH



Water Based Recoat Approach Finish is very durable and is ideal for use when recoating approaches. Helps control slide characteristics. Not recommended for use during approach resurfacing. VOC compliant, non-flammable, low odor. One gallon coats 5 approaches.

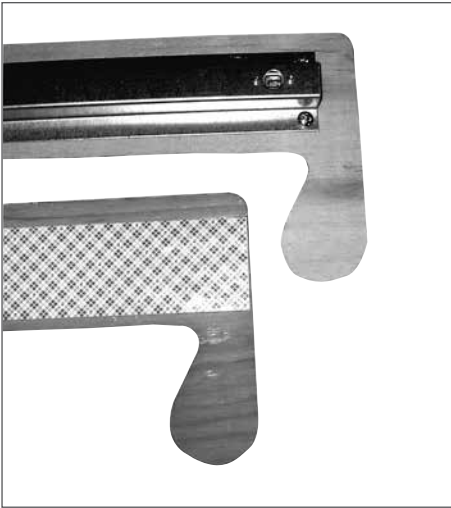
### Product Code

**294007161N 1 gallon**  
**294007066 4 x 1 gallon**

Use Applicator

**Product Code 294007031N**

## REFILLS



APPLICATOR TYPE	WITH BRACKETS		WITH TAPE	
Easy Foam Applicator	294007107	Four Pack	294007108	Four Pack
Long Nap	294007064	Single Refill	294147418	Single Refill
	294007073	Four Pack	294007092	Five Pack
Regular Nap	294007029	Single Refill	294147422	Single Refill
	294007069	Four Pack	294007096	Five Pack
Regular Nap - Foam Back	294007070	Four Pack	294147421	Single Refill
Prebase Stain	294007072	Four Pack	294147419	Single Refill
			294007093	Five Pack
100% Solids	294007032	Two Pack		

# QUBICAAMF SMART BALLS

## SMART BALL SYSTEM WITH COMFORT FIT GRIP™

### The World's Most Comfortable House Ball System

Broken nails. Blisters. Hand fatigue. More than minor complaints, they're among the biggest reasons why bowlers stop playing. But you can put an end to this, and drive more revenue through quicker turnovers and increased comfort, with our Smart Ball™ System—a one-of-a-kind house ball system proven to improve bowler satisfaction.

Fast, simple selection and our exclusive Comfort Fit Grip™ make for happier bowlers—and more games.

### Smart Ball™ System

Our Smart Ball™ System includes everything you need to get rolling: an innovative fitting ball display ball and selection chart for fast size and weight identification, and color-coordinated balls (with seven different grip sizes and 11 different weights) for fast ball selection.

### Exclusive Benefits:

#### The World's Most Comfortable Grip

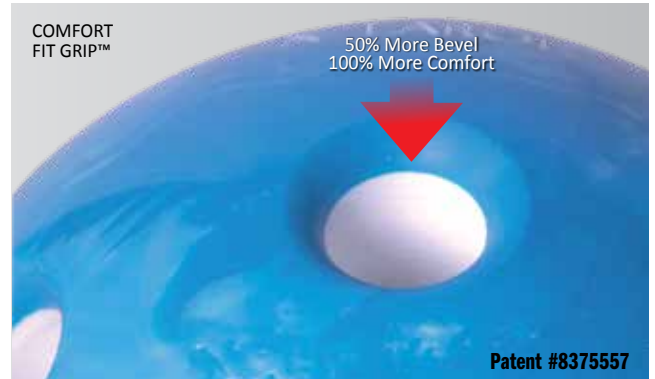
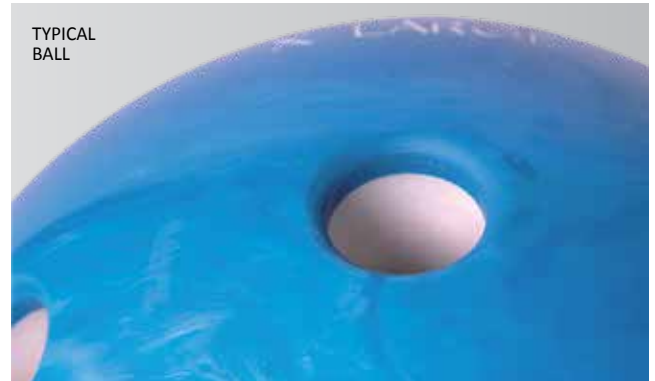
Our exclusive patented design offers 50% larger beveling than the competition. Reducing hand fatigue, it also makes for more accurate play—and more satisfied bowlers.

#### Guaranteed Performance

All Smart Balls are made of durable urethane, guaranteed for two years. And our whole house replacements are now guaranteed for **three years!** They also illuminate under black light—igniting play and stirring your bowlers to keep coming back.

#### Fastest Ball Selection

Our Smart Ball System speeds turnover by getting bowlers to their lanes seven minutes faster on average. That means more games during your peek times. And it could add up to thousands more in revenue per year! Plus, each ball has its weight engraved on two sides, making it a snap for bowlers to find the right one, fast!



## SMART BALL COLOR AND WEIGHT SELECTION





**QUBICAAMF SMART BALL™ ORDER FORM**

**FAX TO:  
804-730-4464**

Part #	Size	Quantity
<b>6LBS. (Lime)</b>		
033881061	XXS	
033881062	XS	
033881063	S	
<b>7LBS. (Pink)</b>		
033881072	XS	
033881073	S	
<b>8LBS. (Peach)</b>		
033881083	S	
033881084	M	
<b>9LBS. (Lavender)</b>		
033881093	S	
033881094	M	
<b>10LBS. (Red)</b>		
033881103	S	
033881104	M	
033881105	L	
<b>11LBS. (Sky Blue)</b>		
033881114	M	
033881115	L	
<b>12LBS. (Green)</b>		
033881123	S	
033881124	M	
033881125	L	
033881126	XL	

Part #	Size	Quantity
<b>13LBS. (Lemon)</b>		
033881134	M	
033881135	L	
033881136	XL	
<b>14LBS. (Tangerine)</b>		
033881144	M	
033881145	L	
033881146	XL	
033881147	XXL	
<b>15LBS. (Purple)</b>		
033881155	L	
033881156	XL	
033881157	XXL	
<b>16LBS. (Blue)</b>		
033881165	L	
033881166	XL	
033881167	XXL	
033000000	Fitting ball	
033000200	Fitting ball stand	
199001103	Handicap Ball Ramp	

Special Needs Ball Ramp Delivery System  
Product Code 199001103



**PUT YOUR BOWLERS  
IN OUR COMFORTABLE  
DUAL-SIZED RENTAL SHOES  
AND WATCH THEM  
BOWL LONGER.**



**FRESH CARE**



Sanitize and Fresh Care aerosol and pump liquid spray effectively deodorize rental shoes as well as hard, nonporous surfaces and bowling equipment.

**Product Code**

**294007058** 16 oz. Aerosol  
**047000100** 1 qt. Liquid

**RENTAL SOCKS**



Sold by the dozen pair.

**Product Code** Men's Ankle **038800001**  
Women's **038800002**

**RENTAL SHOE**



**GLOW SHOE LACES (SOLD BY THE DOZEN)**

**Product Code** 36" **038900036**  
40" **038900040**

## PUT YOUR BOWLERS IN OUR COMFORTABLE RENTAL SHOES AND WATCH THEM BOWL LONGER.

Battered bowling shoes can send bowlers packing, cause them to complain when they have to wait for the right size, and play less when their feet start hurting. But you may think you have to spend big bucks to get shoes that look great, fit great, and last long enough to make a smart investment. No longer! QubicaAMF offers a full range of dual-sized rental shoes offering superior comfort, quality, and value.

### PREMIUM RENTAL SHOE

Get premium style and durability without the premium price. Made of the finest materials available, these shoes offer full-grain leather uppers with cowhide soles. Together with a well cushioned foot bed and Italian design, they provide incredible comfort and style.

A built-in Sensormatic® tag keeps them from “walking” out the door. Available in both men’s and women’s widths for better inventory control and flexibility. One year warranty.

### VELCRO® RENTAL SHOES

Get your customers playing faster and spending more with these simple yet brilliantly designed shoes. They feature rugged 360 genuine Goodyear welt construction, plus a padded collar and padded foot bed.

Available in adult unisex, youth, and children sizes for reducing inventory costs and hassles. Men’s and women’s sizes are clearly marked on the back of each shoe for quick selection. Six-month warranty.

PREMIUM		
Part #	Size	Quantity
<b>Men’s sizes</b>		
037652050	Men’s 5/6.5	
037652055	Men’s 5.5/7	
037652060	Men’s 6/7.5	
037652065	Men’s 6.5/8	
037652070	Men’s 7/8.5	
037652075	Men’s 7.5/9	
037652080	Men’s 8/9.5	
037652085	Men’s 8.5/10	
037652090	Men’s 9/10.5	
037652095	Men’s 9.5/11	
037652100	Men’s 10/11.5	
037652105	Men’s 10.5/12	
037652110	Men’s 11/12.5	
037652115	Men’s 11.5/13	
037652120	Men’s 12/13.5	
037652125	Men’s 12.5/14	
037652130	Men’s 13/14.5	
037652140	Men’s 14/15.5	
037652150	Men’s 15/16.5	
037652160	Men’s 16/17.5	
037652170	Men’s 17/18.5	
037652180	Men’s 18/19.5	
<b>Women’s sizes</b>		
037642050	Women’s 5/3.5	
037642055	Women’s 5.5/4	
037642060	Women’s 6/4.5	
037642065	Women’s 6.5/5	
037642070	Women’s 7/5.5	
037642075	Women’s 7.5/6	
037642080	Women’s 8/6.5	
037642085	Women’s 8.5/7	
037642090	Women’s 9/7.5	
037642095	Women’s 9.5/8	
037642110	Women’s 10/8.5	
037642111	Women’s 11/9.5	
037642112	Women’s 12/10.5	
<b>Shoe Spray</b>		
294007058	Fresh Care Shoe Spray	16oz Aerosol
047000100	Fresh Care Shoe Spray	1qt. Liquid



VELCRO®		
Part #	Size	Quantity
<b>Children’s sizes</b>		
037670106	Velcro® Unisex 6	
037670107	Velcro® Unisex 7	
037670108	Velcro® Unisex 8	
037670109	Velcro® Unisex 9	
037670110	Velcro® Unisex 10	
037670111	Velcro® Unisex 11	
037670112	Velcro® Unisex 12	
037670113	Velcro® Unisex 13	
<b>Youth sizes</b>		
037670101	Velcro® Unisex 1 (girls only)	
037670102	Velcro® Unisex 2 (girls only)	
037601201	Velcro® Unisex 1/2.5	
037601215	Velcro® Unisex 1.5/3	
037601202	Velcro® Unisex 2/3.5	
037601225	Velcro® Unisex 2.5/4	
037601203	Velcro® Unisex 3/4.5	
037601235	Velcro® Unisex 3.5/5	
037601240	Velcro® Unisex 4/5.5	
037601245	Velcro® Unisex 4.5/6	
<b>Unisex Adult Velcro® sizes</b>		
037601050	Velcro® Unisex 5/6.5	
037601055	Velcro® Unisex 5.5/7	
037601060	Velcro® Unisex 6/7.5	
037601065	Velcro® Unisex 6.5/8	
037601070	Velcro® Unisex 7/8.5	
037601075	Velcro® Unisex 7.5/9	
037601080	Velcro® Unisex 8/9.5	
037601085	Velcro® Unisex 8.5/10	
037601090	Velcro® Unisex 9/10.5	
037601095	Velcro® Unisex 9.5/11	
037601100	Velcro® Unisex 10/11.5	
037601105	Velcro® Unisex 10.5/12	
037601114	Velcro® Unisex 11/12.5	
037601115	Velcro® Unisex 11.5/13	
037601120	Velcro® Unisex 12/13.5	
037601125	Velcro® Unisex 12.5/14	
037601130	Velcro® Unisex 13/14.5	
037601140	Velcro® Unisex 14/15.5	



USA	Men	3.5	4	4.5	5	5.5	6	6.5	7	7.5	8	8.5	9	9.5	10	10.5	11	11.5	12	12.5	13	13.5	14	15	16
	Women	5	5.5	6	6.5	7	7.5	8	8.5	9	9.5	10	10.5	11	11.5	12	12.5	13	13.5	14	14.5	15	15.5		
Europe	Men	35	36	36-37	37	37-38	38	38-39	39	40	40-41	41	42	42-43	43	44	44-45	45	46	46-47	47	47-48	48	49-50	51
	Women	35	35-36	36	37	37-38	38	38-39	39	40	40-41	41	42	42-43	43	44	44-45	45	46	46-47	47	48	48-49		
UK	Men	3	3.5	4	4.5	5	5.5	6	6.5	7	7.5	8	8.5	9	9.5	10	10.5	11	11.5	12	12.5	13	13.5	14.5	15.5
	Women	2.5	3	3.5	4	4.5	5	5.5	6	6.5	7	7.5	8	8.5	9	9.5	10	10.5	11	11.5	12	12.5	13		

USA	Boys	Child								Youth									
		6	7	8	9	10	11	12	13	n/a	n/a	1	1.5	2	2.5	3	3.5	4	4.5
Europe	Boys& Girls	22	23	24	25	26	27	28	30	n/a	n/a	32	33	33	34	34	35	36	36
UK	Boys& Girls	5	6	7	8	9	10	11	12	n/a	n/a	13	14	1	1.5	2	2.5	3	3.5

**AMFLITE II. THE STANDARD BY WHICH ALL PINS ARE JUDGED**

AMFlite II pins are the industry leader in quality, scoring and durability due to our unique manufacturing process.

Our lock-in nylon base, which set the industry standard, stays in place for the life of the pin and reduces pin sliding.

Made in the USA from the finest hard maple lumber from the northeast and stored in a special predryer before kiln drying in-house, for a more durable resilient core.

Compression Molded Surlyn provides the use of a stiffer resin. This allows a thinner, more uniform coating and a larger core size, which increases neck strength and results in better scoring and fewer neck fractures.

Customized triple-application topcoat process offers better performance in all machines and a longer life with improved appearance.

Small weight control holes provide pin consistency, resulting in consistently higher scores.



AMFlite warranty guarantees complete customer satisfaction.

**BIRTHDAY PINS**

Birthday bowling is one of the fastest growing promotions in the industry. Present the guest of honor with a special Birthday Pin from QubicaAMF, and turn today's young bowlers into tomorrow's customers. Our all new multi-color birthday pin is sure to excite. Or, choose our entry level birthday pin. Made from a refurbished core and recoated in Surlyn with a one-color logo, we have a pin to fit every price range.

**PINNACLE**

Engineered based upon the industry's best-selling pin, the AMFlite II, and then enhanced with a 50 percent increase in Surlyn thickness in the ball impact area to reduce core compression and extend pin life. The pin features a specially formulated lock-in, black base to reduce pin sliding and is manufactured from clear, straight grain, white maple. The AMFlite Pinnacle comes with a two-year or 10,000 game warranty.



**USBC permits are available for each branch of the military. We apply at NO CHARGE!**

**AMFLITE II PINS**



QUBICAAMF is recognized as the world's leading manufacturer of high scoring, incredibly durable and extremely attractive pins.

AMFLITE II PINS - Made in America from the finest hardwood maple and 100% kiln dried. These are the most durable, highest scoring pins on the market!

- 031480230** AMFLITE II Glow Pins (3.6 - 3.8)
- 031480231** AMFLITE II Glow Pins (3.8 - 3.10)
- 031480367** AMFLITE II Non-Glow Pins (3.6 - 3.8)
- 031480389** AMFLITE II Non-Glow Pins (3.8 - 3.10)

**PINNACLE PINS**



PINNACLE PINS - is our top of the line pin made with only straight grain maple. They feature 50% more Surlyn in the ball impact area and come with a two-year or 10,000 game warranty!

- 031480220** AMFLITE II PINNACLE Glow Pins (3.6 - 3.8)
- 031480221** AMFLITE II PINNACLE Non-Glow Pins White (3.6 - 3.8)

**COLORED PINS**



COLORED PINS - The most dazzling multi-hued array of pins in the business. Perfect for Glow -in -the Dark EXTREME Bowling.

- 031480232** Magenta Glow Pins
- 031480234** Green Glow Pins
- 031480235** Yellow Glow Pins
- 031480236** Orange Glow Pins

**BIRTHDAY PINS**



BIRTHDAY PINS -- One of the ever growing promotions in the industry. Why not present a great keepsake for the guest of honor. We can even customize the reverse side with your center logo!

- 031480224** Birthday Pins
- 031480116** Entry Level Birthday Pins

**TROPHY PINS**



TROPHY PINS - Available in clear or colored styles. Be sure to give the award that keeps them talking about your center long after they roll the last ball.

- 031480120** Trophy Pins

**CUSTOM PINS**



We custom logo Birthday and Award Pins at no cost with minimum order of 10 sets. For more information and ordering, please contact our Pin Plant 1-800-333-0527

**PINKEEPER® PIN CLEANER**

Specially formulated to reduce sticking pins which results in fewer pile ups or pins sticking in deck chutes. Water based detergent pin cleaner designed for use in an automatic pin cleaning machine.

**Product Code**      **294006020**      **2 x 2.5 gallons**

**RIGHT SPOT PIN PAD**



Non-skid pin pad. Simply apply to bottom of the pin. USBC Approved, permit # 038-13-OSC

**616000022, Pack of 22**







**WORLDWIDE HEADQUARTERS**

8100 AMF Drive - Mechanicsville, VA 23111 - USA - Tel. (804) 569-1000 - Fax: (804) 559-8650 - Toll free 1-866-460-QAMF (7263)

**EUROPEAN HEADQUARTERS**

Via della Croce Coperta, 15 - 40128 Bologna - Italy - Tel.+39 051.4192.611 - Fax +39 051.4192.602

**[www.qubicaamf.com](http://www.qubicaamf.com) - [info@qubicaamf.com](mailto:info@qubicaamf.com)**

