

QUBICA  AMF



**AMF PINSPOTTERS
82-70 REPLACEMENT PARTS**

There's more than one way to get in touch with QubicaAMF.

Making it easy for you to reach QubicaAMF is just as important to us as getting our quality products into your hands.

Contact us via phone, fax, email, and web and be served by people whose expertise and helpfulness make it easy for you to do business with QubicaAMF.



Phone: 1-866-460-7263



Fax: 804-730-4464



Email: aftermarket@qubicaamf.us



Website: www.qubicaamf.com



Facebook: <https://www.facebook.com/QubicaAMFWorldwide>



Twitter: <https://twitter.com/qubicaAMF>



You Tube: <http://www.youtube.com/user/QubicaAMFWorldwide>

Email Club: <http://www.qubicaamf.com/newsletter/entry.html>

Join our email club, The Supply Line, to receive monthly tech tips, product specials, and industry news.

Customer Portal: <http://customerportal.qubicaamf.com/Homepage.aspx>

Register for our tech support customer portal, a website dedicated to supporting you and your center's technical needs with how-to videos, manuals, and parts catalogs.

Products Forum: <http://customerforum.qubicaamf.com/newcustomerforum.aspx>

Join our interactive Products Forum to discuss issues among peers worldwide.

TABLE OF CONTENTS

FRONT END ELECTRICAL 5

Front End Electrical Installation LH	6-7
Front End Electrical Installation RH	8-9
Cable & Wire Assemblies	10
C-1 Cable Assembly	11
C-2A Harness Assembly	12-13
Solid State Chassis	14-15
MP Chassis Assembly	16-17
Table Wireway Assembly	18-19
Wire Harness Sweep Cam Switch & Table Cam Switch	20

FRONT END COMPONENTS 21

Front End Drive Assembly	22-23
Spot and Respot Link Assembly	24
Spot and Respot Tie Rod Installation	25
Counter Balance Spring Eye Repair Kit	26
Sweep and Table Cam Switch Assembly	27
Switch Assembly Table Assembly	28-29
Table Drive Assembly	30-31

FRONT END BIN AND SHUTTLE 33

Bin Assembly	34-35
Shuttle Assembly	36-37
Shuttle Operator & Solenoid Assembly	38-39

FRONT END TABLE 41

Table Assembly	42-43
Yoke & Spotting Cup Assembly	44-45
Respot Cell Assembly 1-6; 8-10	46-47
Respot Cell Assembly #7	48-49
Table Torque Tube Assembly	50

FRONT END SWEEP 51

Sweep Assembly	52-54
Sweep Bar Mounting Assembly	55

BACKEND 57

Kickback Assembly	58
Kickback Assembly / Side Opposite Ball Exit	59
Back End Assembly Parts	60
Motor Bracket Assembly	61
Back End Motors	62
Back End Control Box	63
Pin Elevator Assembly	64
Adjustable Speed Sheave & Velcro Cushion Cover	65
Cushion, Shock Absorber & Curtain Support Assemblies	66-67
Bounce Plate & Roller Assemblies	68
Carpet Belts	69
82-70 Rear Roller Repair Kit	70

DISTRIBUTOR 71

Distributor Assembly #1	72-73
Distributor Assembly #2	74-75
Distributor Assembly	76
Distributor Belts	77
Rough Top Belt Skiver	78
Distributor Drive Shaft Assembly	79

BALL LIFT 81

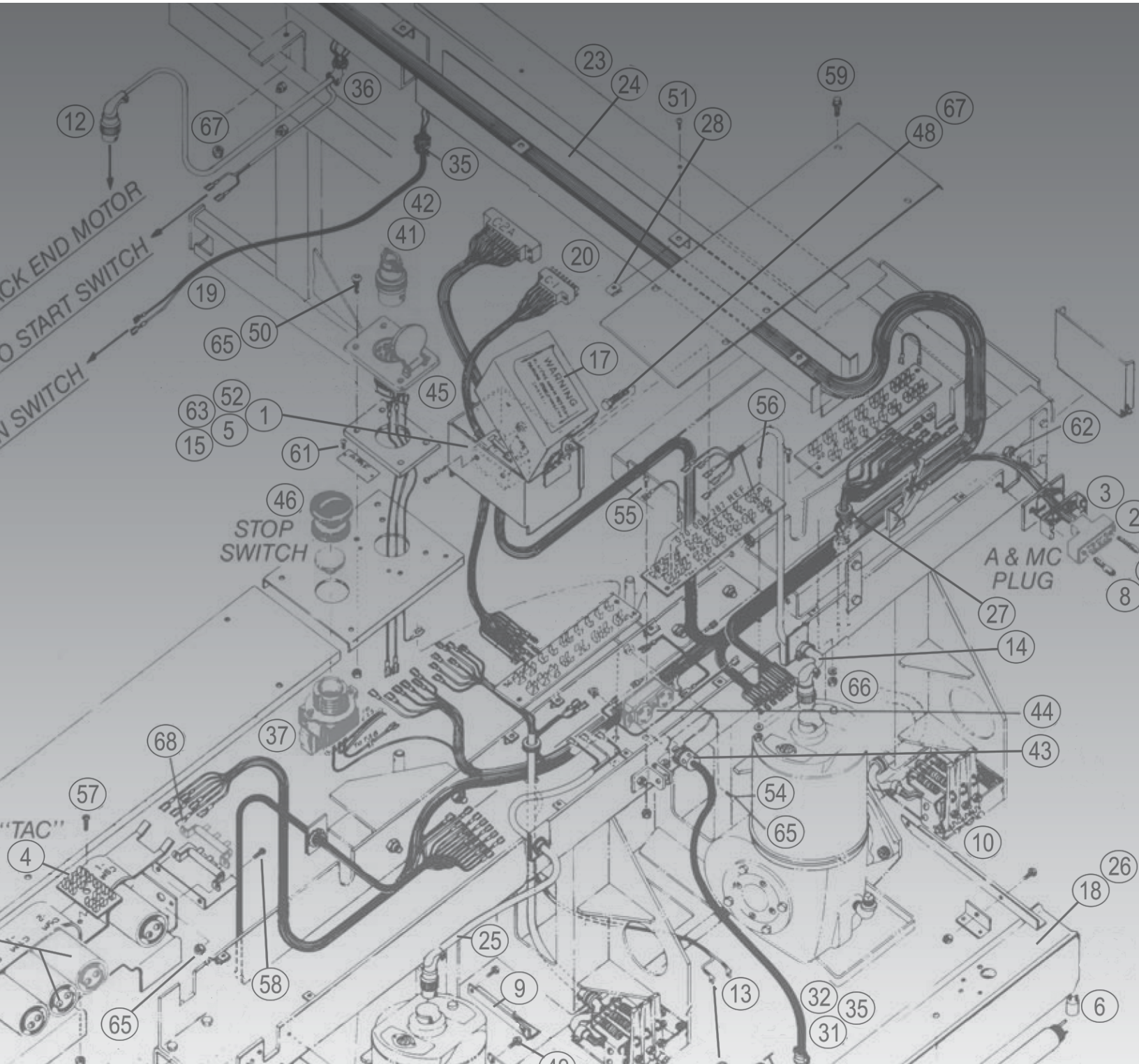
Positive Ball Lift	82-83
Ball Lift Assembly	84-85
Track Rail Assembly	86
PBL Belt Tensioner Assembly - New Version	87
Belt Tensioner Assembly - Old Version	88
Belt Tightener Assembly	89
Light Ball Sensor Assembly	90-91
Ratchet Assembly	92
Kicker Ball Lift	94-95
Kicker Rollers	96
Ball Lift Pressure Kit	97
Adjustable Speed Rudder Sheave	98
Spring Loaded Drive Link Assembly & PBL Plus Conversion Kit	99

GUARDS AND SAFETY LABELS ... 100

Guards and Safety Labels	101
--------------------------------	-----

CROSS REFERENCE 103

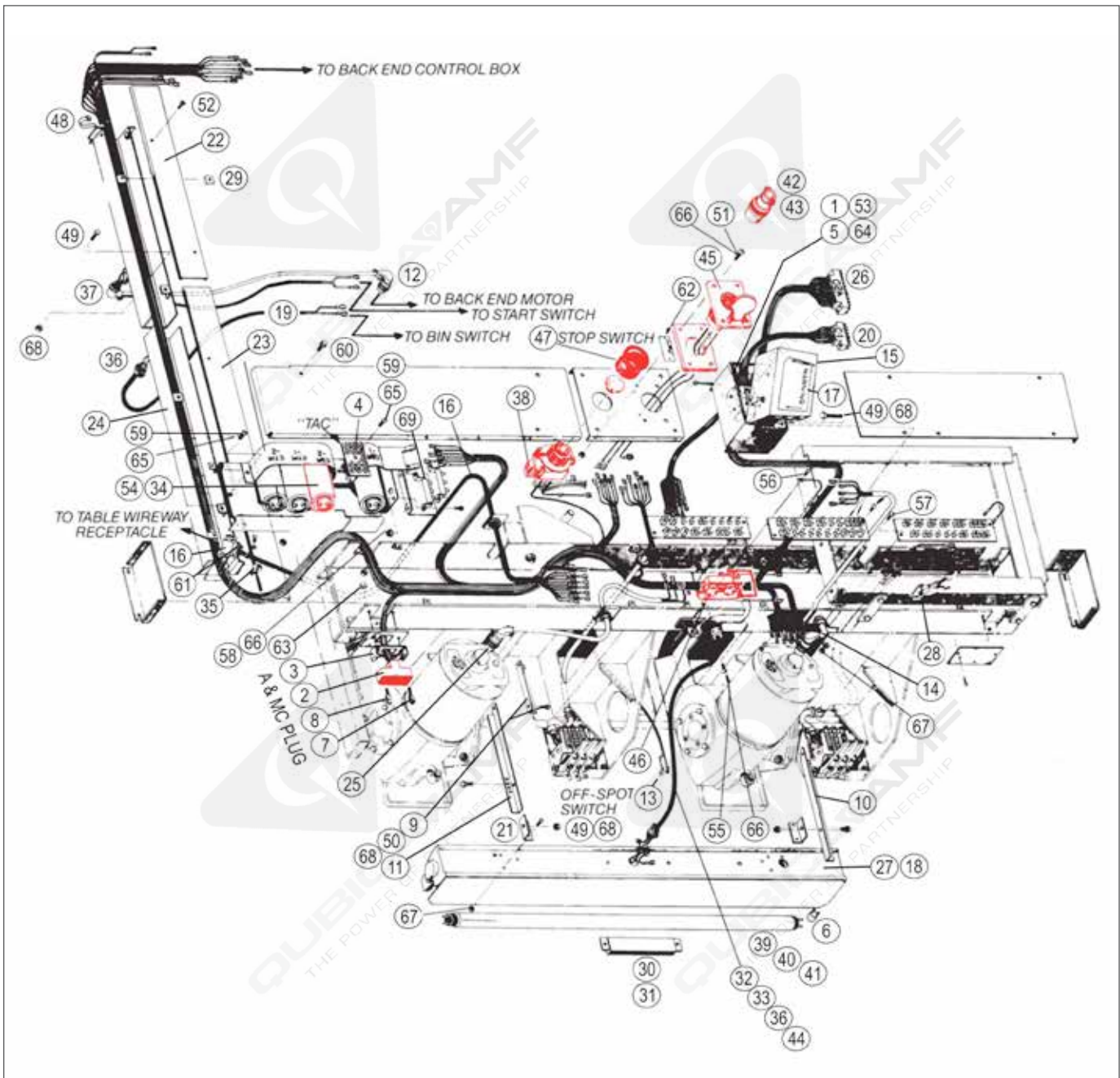
PARTS INDEX 135



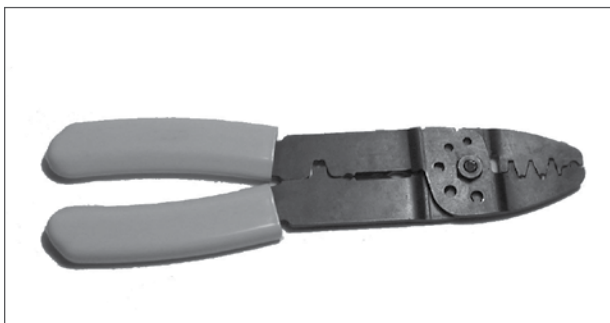
QUBICAAMF
FRONT END ELECTRICAL



FRONT END ELECTRICAL INSTALLATION LH

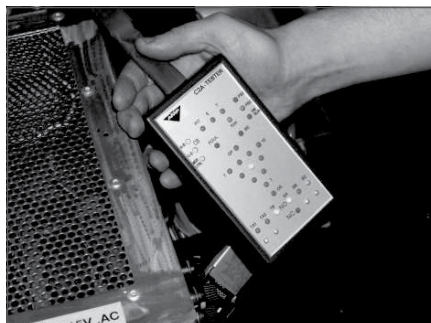


CRIMP TOOL



Product Code 792512019

C-2A CIRCUIT TESTER



Product Code 791003004

FRONT END ELECTRICAL INSTALLATION LH

ITEM	PART NUMBER	DESCRIPTION
OBS	000 021 652	Pit Light Assembly 120/60
1	000 022 296BG	Insulator-Switch (Bag 10)
2	000 025 078	Block-Term Amp
3	000 025 556BG	Catch Spring Lock (Bag Of 2)
4	000 025 603	Terminal Board
5	000 026 247	Switch
6	000 027 444	Flourescent Lamp Starter
7	000 028 441BG	Guide Socket (Bag 10)
8	000 028 442BG	Guide, Pin (Bag 10)
9	070 001 698	Brkt-Pitlight
10	070 001 907	Brkt-Sup-Pit Lite Rh
11	070 001 908	Brkt-Sup-Pit Lite Lh
12	070 005 094	Cable Assembly Be Mtr
13	070 005 534	Cbl Assembly-Off Spot
14	070 005 542	Cable Assembly Sweep Mtr
15	070 005 570	Plug Duct Weldmt
16	070 005 604	Cable-Table
17	070 005 614	Decal-Warning
18	070 005 685	Universal Pit Light
19	070 006 272	Switch Cable Assm
20	070 006 473	Cable Assembly C1
21	070 007 370	Angle Pit Light Mnt
22	070 007 745	Cover-Cbl Duct Ext
23	070 007 747	Cover
24	070 007 748	Frme Wld-CblDct-Long
25	070 007 751	Cable-Tbl Mtr 3 Cono
26	070 011 800	Hrness Lh-C1 & C2a - OBS
27	090 008 017	Dual Pit Light Assembly 36" 120/60
28	711 520 017	Grommet
29	724 511 074	Tin-Nut-Spd'u'c-1505
30	740 501 001	Ballast-120/60
31	740 501 018	Ballast, Universal 115-277v
32	742 502 002	Cap-Nyln Insl Bu2007
33	742 503 004	Splice Cap Buch2006s
34	743 000 020	Cptr-460-552Mfd110ac

ITEM	PART NUMBER	DESCRIPTION
35	744 203 014	Clamp-Burndy Hp-6N
36	746 001 016	Cnectr-Str #3302 1/2
37	746 003 008	Cnectr 90 Deg 266 3/8
38	746 605 011	Cont Block Male 2 Pin
39	751 001 254	Lamp Daylight F30 T12
OBS	751 001 423	Lamp Flourescent 30W
40	751 001 460	Black Light 36"
41	751 001 471	F25T8 Daylight Bulb 36"
42	754 010 336	Plug-3 Wire 30A 125V
43	754 010 337	Plug-Arrowhrt 50Hz
44	754 020 312	Cnctr & Prng male 4720
45	755 010 303	Recptcl-3 Wire Twstlk
46	755 020 359	Rect 3 wire 30a 125v
47*	759 517 051	Swthc Pshbtn 7/8 Dia
48	770 011 010	Tyrap 14.19 Inch Lg
49	809 849 085	Screw-Hex 1/4-20 X 1/2
50	809 849 125	Screw-Hex 1/4-20 X 3/4
51	812 627 122	Screw-Rdhd #6-32 X 3/4
52	812 840 082BG	Scr-Rdhd 10-32X1/2 (Bag 10)
53	813 227 162	Screw-Pnhd #6-32 X 1 Cd
54	813 340 042BG	Scr-Pnhd 10-32X1/4Cd (Bag 10)
55	818 227 082BG	Scr-Smrd #6-32X1/2 (Bag 10)
56	818 233 082BG	Scr-Smrd #8-32X1/2 (Bag 10)
57	818 233 122BG	Scr-Smrd #8-32X3/4 (Bag 10)
58	818 627 042BG	Scr-Smrd #6-32X1/4 (Bag 10)
59	818239122BG	Scr-Smrd #10-24X3/4 (Bag 10)
60	826 032 060BG	Scr-Tat-Wa #8-3/8 (Bag 100)
61	828 127 062BG	Scr-Tdrd #6-32X3/8Tyd (Bag 10)
62	829 905 042	Screw-Drpk 0 X 1/4 Ty U
63	834 621 000BG	NUT-HEX 4-40 BRASS(Bag 10)
64	839 527 002BG	Nut-Flx-Tk #6-32 Ht (Bag 10)
65	839 539 002BG	Nut-Flx-Tk #10-24 Ht (Bag-10)
66	843 127 002BG	Nut-Kep #6-32 Wash (Bag 10)
67	843 133 002BG	Nut-Kep #8-32 Wash (Bag 10)
68	844 049 002BG	Nut-Stvr-Lk 1/4-20 (Bag 10)
69	916 931 256	Resistor 20w 1.25K

Note: When changing ballasts or bulbs, always check the labels on what you have to be sure the ballast and bulb are designed to work with each other.

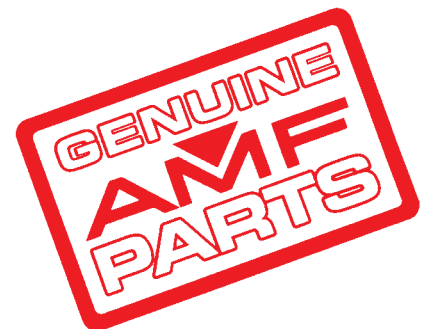
* Replace using 8270 Stop Switch Replacement Kit 612 070 025

36" FIXTURE CONVERSION KIT

Includes:

- 740 501 018 Universal Ballast
- 751 001 471 F25T8 Daylight Bulb, 36"

Product Code 612903001



FRONT END ELECTRICAL INSTALLATION RH

ITEM	PART NUMBER	DESCRIPTION
OBS	000 021 652	Pit Light Assembly 120/60
1	000 022 296BG	Insulator-Switch (Bag 10)
2	000 025 078	Block-Term Am
3	000 025 556BG	Catch Spring Lock (Bag Of 2)
4	000 025 603	Terminal Board
5	000 026 247	Switch
6	000 027 444	Flourescent Lamp Starter
7	000 028 441BG	Guide Socket (Bag 10)
8	000 028 442BG	Guide, Pin (Bag 10)
9	070 001 698	Brkt-Pitlight
10	070 001 907	Brkt-Sup-Pit Lite Rh
11	070 001 908	Brkt-Sup-Pit Lite Lh
12	070 005 094	Cable Assembly Be Mtr
13	070 005 534	Cbl Assembly-Off Spot
14	070 005 542	Cable Assembly Sweep Mtr
15	070 005 570	Plug Duct Weldmt
16	070 005 604	Cable-Table
17	070 005 614	Decal-Warning
18	070 005 685	Universal Pit Light
19	070 006 272	Switch Cable Assm
20	070 006 473	Cable Assembly C1
21	070 007 370	Angle Pit Light Mnt
22	070 007 745	Cover-Cbl Duct Ext
23	070 007 747	Cover
24	070 007 748	Frme Wld-CblDct-Lon
25	070 007 751	Cable-Tbl Mtr 3 Cono
26	090 008 017	Dual Pit Light Assy 36" 120/60
27	711 520 017	Grommet
28	724 511 074	Tin-Nut-Spd'U'c-1505
29	740 501 001	Ballast-120/60
30	740 501 018	Ballast, Universal 115-277v
31	742 502 002	Cap-Nyln Insl Bu2007
32	742 503 004	Splice Cap Buch2006s
33	743 000 020	Cptr-460-552Mfd110ac
34	744 203 014	Clamp-Burndy Hp-6N

ITEM	PART NUMBER	DESCRIPTION
35	746 001 016	Cnectr-Str #3302 1/2
36	746 003 008	Cnectr 90 Deg 266 3/8
37	746 605 011	Cont Block Male 2Pin
38	751 001 254	Lamp, Daylight F30t Dirs
OBS	751 001 423	Lamp Flourescent 30W
39	751 001 460	Black Light 36"
40	751 001 471	F25T8 Daylight Bulb 36"
41	754 010 336	Plug-3 Wire 30A 125V
42	754 010 337	Plug-Arrowhrt 50Hz
43	754 020 312	Cnctr & Prngmale 4720
44	755 010 303	Receptacle 3 Wire Twist Lock
45	755 020 359	RECPT-3 WIRE 30A 125V
46*	759 517 051	Stop Button
47	770 011 010	Tyrap 14.19 Inch Lg
48	809 849 085	Screw-Hex 1/4-20 X 1/2
49	809 849 125	Screw-Hex 1/4-20 X 3/4
50	812 627 122	Screw-Rdhd 6-32 X 3/4
51	812 840 082BG	Scr-Rdhd= 10-32X1/2 (Bag 10)
52	813 227 162	Screw-Pnhd 6-32 X 1 Cd
53	813 340 042BG	Scr-Pnhd #10-32X1/4Cd (Bag 10)
54	818 227 082BG	Scr-Smrd #6-32X1/2 (Bag 10)
55	818 233 082BG	Scr-Smrd #8-32X1/2 (Bag 10)
56	818 233 122BG	Scr-Smrd #8-32X3/4 (Bag 10)
57	818 239 122BG	Scr-Smrd #10-24X3/4 (Bag 10)
58	818 627 042BG	Scr-Smrd #6-32X1/4 (Bag 10)
59	826 032 060BG	Scr-Tat-Wa 8-3/8 (Bag 100)
60	828 127 062BG	Scr-Tdrd+6-32X3/8Tyd (Bag 10)
61	829 905 042	Screw-Drpk 0 X1/4 Ty U
62	834 621 000BG	NUT-HEX 4-40 BRASS(Bag 10)
63	839 527 002BG	Nut-Flx-Tk #6-32 Ht (Bag 10)
64	839 539 002BG	Nut-Flx-Tk #10-24 Ht (Bag-10)
65	843 127 002BG	Nut-Kep #6-32 Wash (Bag 10)
66	843 133 002BG	Nut-Kep #8-32 Wash (Bag 10)
67	844 049 002BG	Nut-Stvr-Lk 1/4-20 (Bag 10)
68	916 931 256	Resistor 20w 1.25K

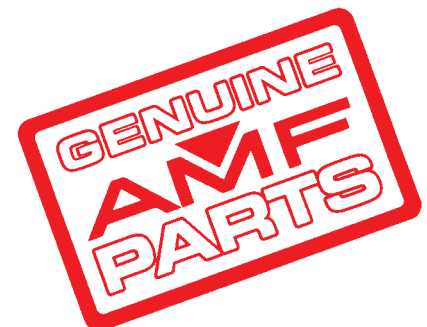
Note: When changing ballasts or bulbs, always check the labels on what you have to be sure the ballast and bulb are designed to work with each other.

* Replace using 8270 Stop Switch Replacement Kit 612 070 025

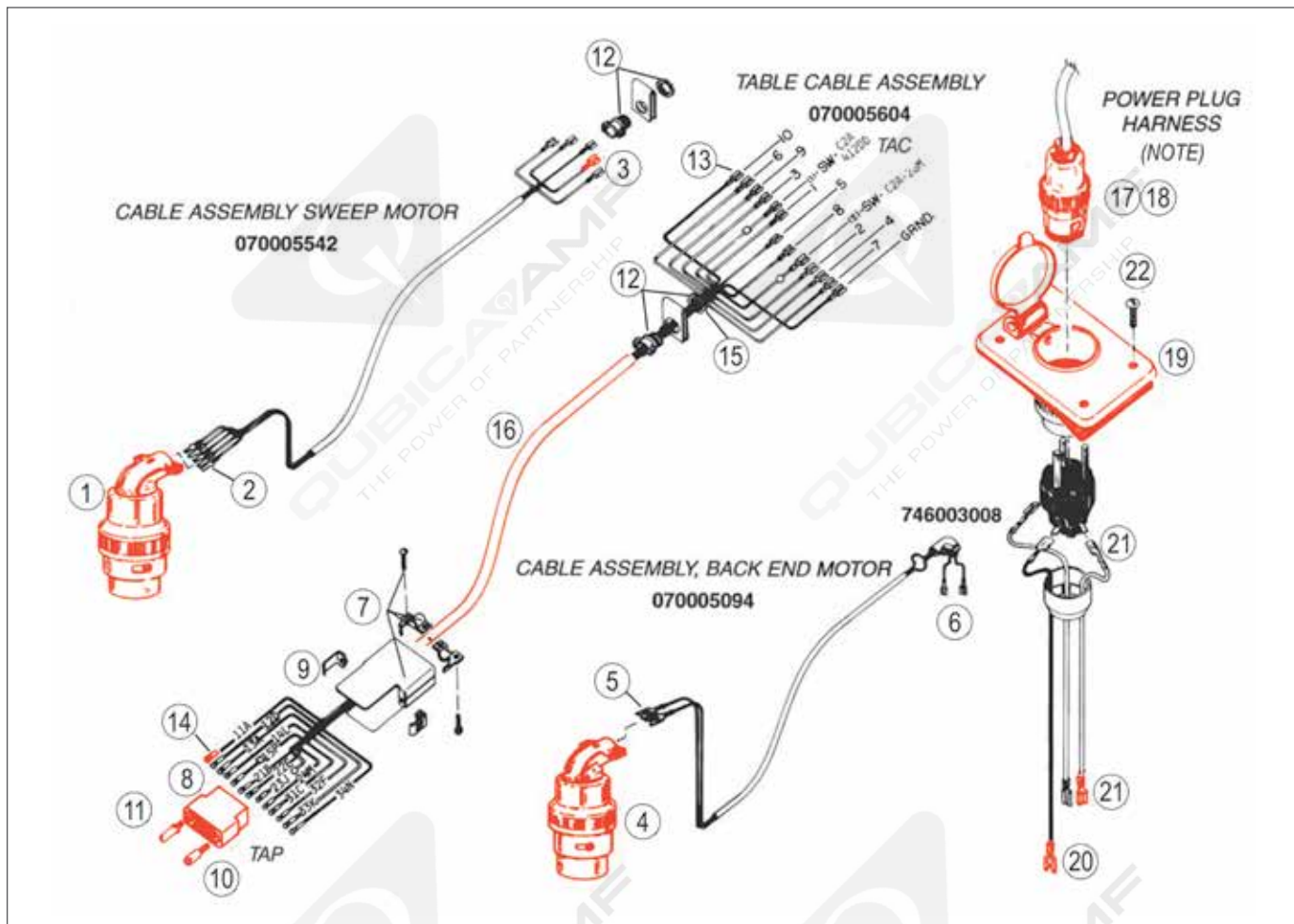
WIRING MANUAL - 82-70

Clear, in-depth directions on electrical troubleshooting & maintenance

Product Code **61000009**



CABLE & WIRE ASSEMBLIES



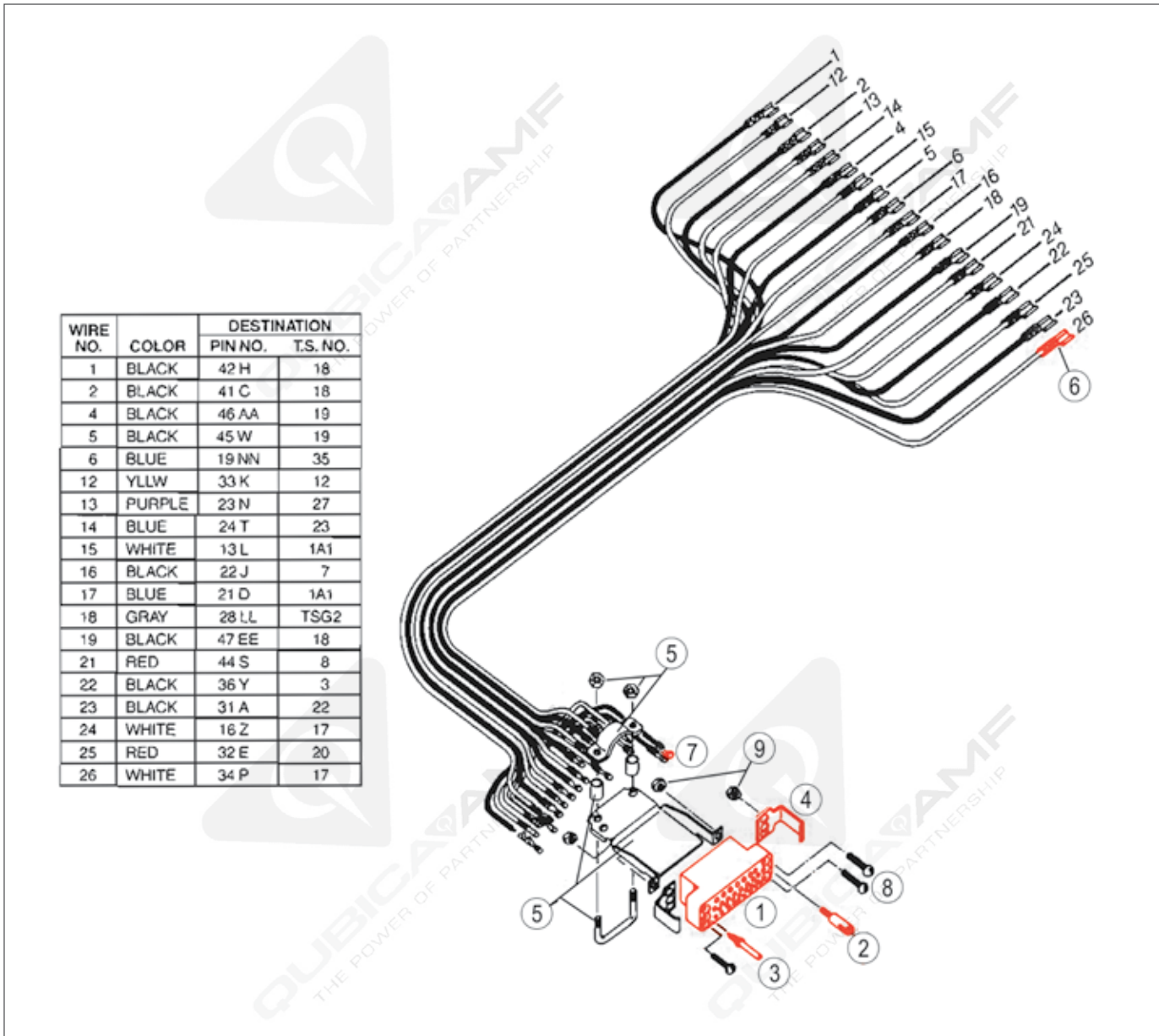
CABLE & WIRE ASSEMBLIES

ITEM	PART NUMBER	DESCRIPTION
Cable Assembly Sweep Motor		
1	000 027 660	Plug-Female
2	760 015 038	Terminal, Flat Spade
3	760 017 036	Term-Strait Amp 41729
Cable Assembly-Backend Motor		
4	000 025 907	Plug Female (2 Pin)
5	760 015 038	Term-Amp
6	760 017 036	Term-Strait Amp 41729

ITEM	PART NUMBER	DESCRIPTION
Table Cable Assembly		
7	000 025 049	Shield
8	000 025 078	Block-Term amp 2012981
9	000 025 557	Clip-Spring Lock
10	000 028 441BG	Guide Socket
11	000 028 442BG	Guide Pin
12	746 001 016	Cnectr-Str #3302 1/2
13	760 017 044	Term Str-Amp 41772 RI
14	760 019 201BG	Term Skt .062 Dia Lp (Bag 20)
15	846 100 000	Nut Kl 1/2 Cndut Tb141
16	940 372 000	Sleeving-Exp 1/2 Dia (Order 6 Ft.)
Power Plug Harness		
17*	754 010 336	Plug-3 Wire 30A 125V
18*	754 010 337	Plug Arrowhart 50 Hz
19*	755 020 359	Recpt-3 Wire 30A 125V
20	760 015 055	Term-Spde 42168-2
21	760 017 036	Term-Strait Amp 41729
22	812 627 122	Screw-Rdhd 6-32 X 3/4

NOTE: Later model components have flat terminals and must be used in pairs.

* Metal Russel-Stoll plug and receptacle are no longer available. If replacing plug or receptacle, replace both.



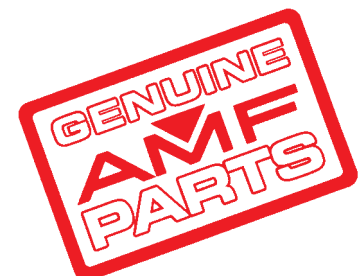
WIRE NO.	COLOR	DESTINATION	
		PIN NO.	T.S. NO.
1	BLACK	42 H	18
2	BLACK	41 C	18
4	BLACK	46 AA	19
5	BLACK	45 W	19
6	BLUE	19 NN	35
12	YLLW	33 K	12
13	PURPLE	23 N	27
14	BLUE	24 T	23
15	WHITE	13 L	1A1
16	BLACK	22 J	7
17	BLUE	21 D	1A1
18	GRAY	28 LL	TSG2
19	BLACK	47 EE	18
21	RED	44 S	8
22	BLACK	36 Y	3
23	BLACK	31 A	22
24	WHITE	16 Z	17
25	RED	32 E	20
26	WHITE	34 P	17

C-1 CABLE ASSEMBLY **PRODUCT CODE 070006473**

ITEM	PART NUMBER	DESCRIPTION
1	000 025 144	Plug Male
2	000 028 441BG	Guide Soc (Bag of 10)
3	000 028 442BG	Guide Pin
4	000 029 013BG	Locking Spring Clip (Bag of 2)
5	000 029 093	Clamp Strain Reliever

ITEM	PART NUMBER	DESCRIPTION
6	760 017 036	Term-Strait Am
7	760 019 201BG	Term Skt .062 Dia Lp (Bag of 10)
8	813 321 062BG	Screw Cd (Bag 10)
9	834 821 000BG	Nut-Hex 4-40 Brass (Bag 10)

Note: Use Amp Extracting Tool - 030 004 031 for terminal removal.

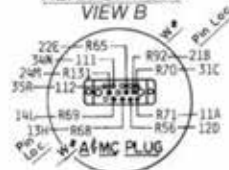


C-2A HARNESS ASSEMBLY

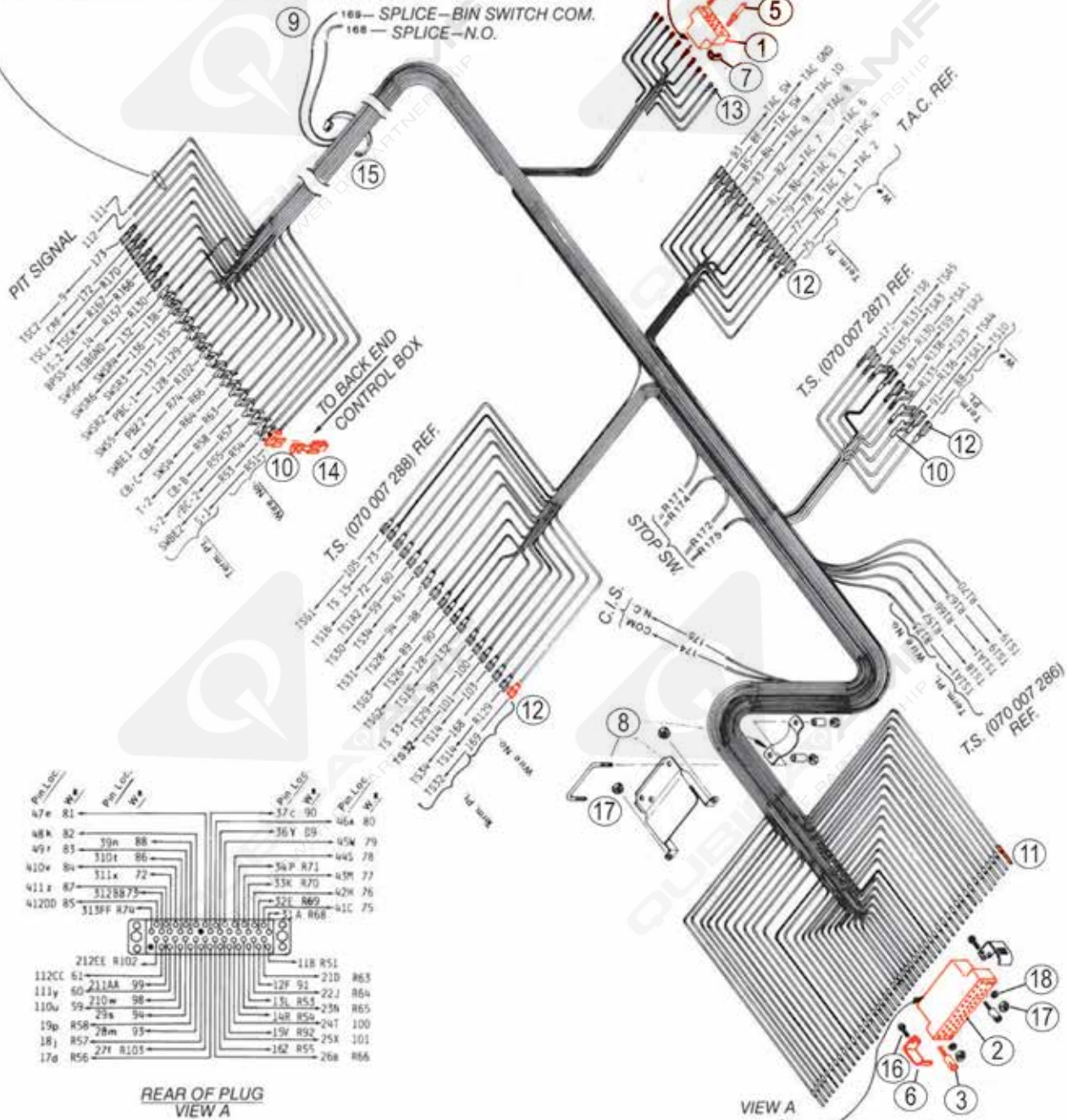
NOTES:

1. THESE WIRES ARE FOR HOUSE SIGNAL SYSTEM IF DESIRED, TAPE THESE WIRE ENDS & ATTACH TO LOW VOLTAGE WIRE CABLE IN B.E. CONTROL BOX.
2. WIRES 87 & 88 MAY BE CONNECTED TO TS44 & TS 45 RESPECTIVELY IF TS44 & TS 45 ARE PRESENT.
3. ALL WIRES SHOULD HAVE U.L. SURFACE MARKINGS

REAR OF PLUG
VIEW B



SEE FRONT END ELECTRICAL INSTALLATION (070 006 469) FOR A & MC PLUG PARTS BREAKDOWN.



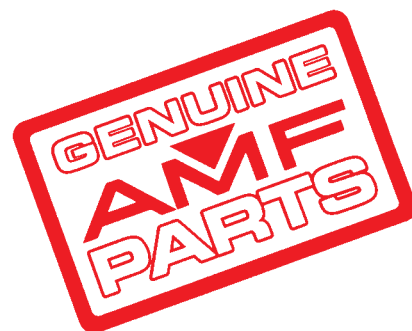
REAR OF PLUG
VIEW A

VIEW A

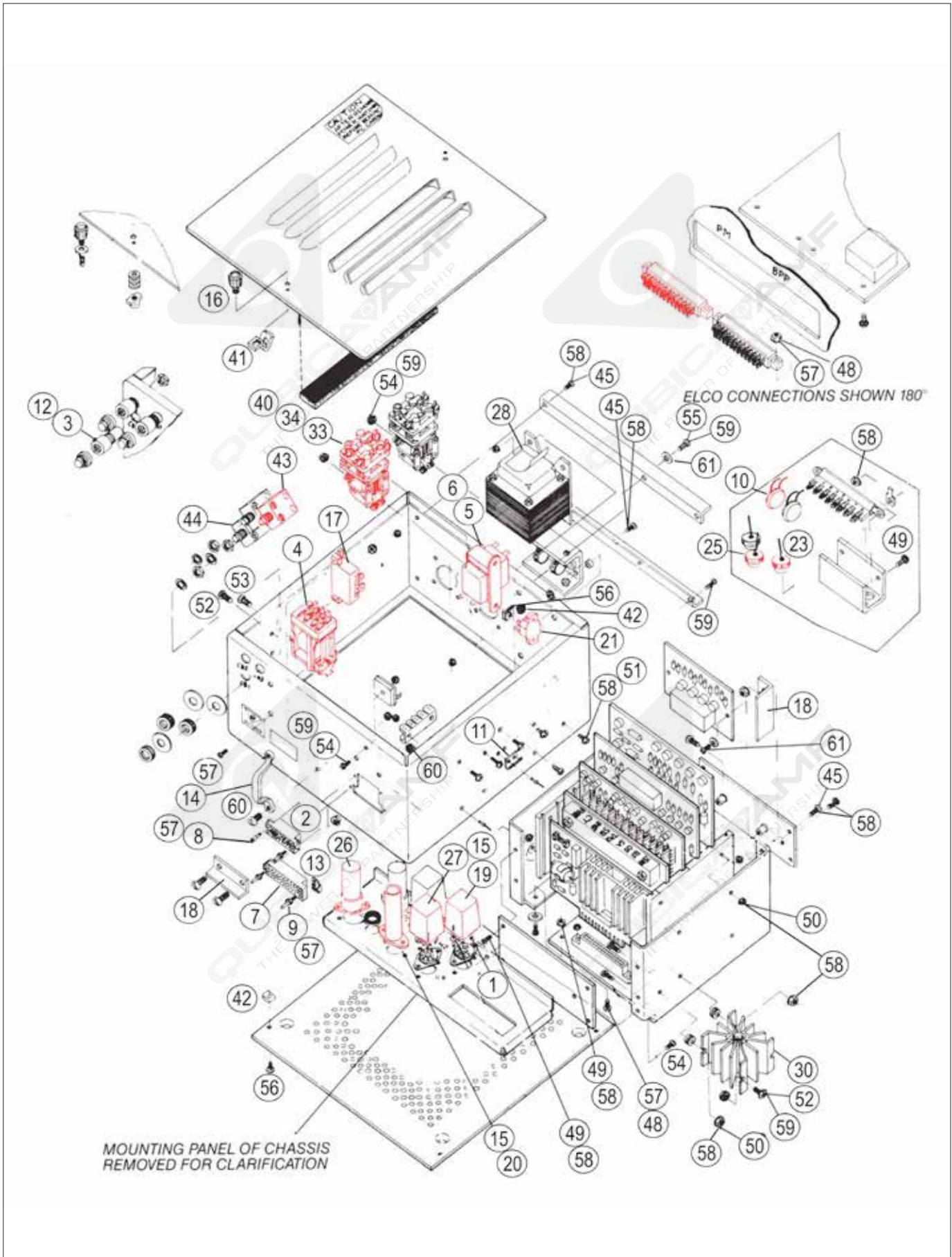
C-2A HARNESS ASSEMBLY

ITEM	PART NUMBER	DESCRIPTION
1	000 025 078	Block Term Amp
2	000 028 409	Block-Term Amp
3	000 028 441BG	Guide Socket Bag(10)
5	000 028 442BG	Guide Pin
6	000 029 013BG	Locking Spring Clip (Bag Of 2)
7	000 029 014BG	Locking Spring Catch
8	000 029 896	Clamp Strain Relvr
9	746 007 105	Insulatd Line Splice
10	760 006 195	Term Flg .250 X .032 Lp

ITEM	PART NUMBER	DESCRIPTION
11	760 011 197BG	Term-Pin.062 Dia Lp (Bag 20)
12	760 017 036	Term-Strait Amp
13	760 019 201BG	Term Skt .062 Dia Lp v
14	760 022 150	Term-18-14 Ga Wire
15	770 011 029	Tyrap-7.31 Inch Lg
16	813 321 062BG	Screw Cd (Bag 10)
17	834 821 000BG	Nut-Hex 4-40 Brass (Bag 10)
18	951 020 000BG	Wshr-Lk-Split # 4 (Bag 10)



SOLID STATE CHASSIS



SOLID STATE CHASSIS

ITEM	PART NUMBER	DESCRIPTION
1	000 021 231	Socket
2	000 025 068	Block-Term Amp
3	000 025 555	Fuse-Slo Blow 3 Amp
4	000 025 863	Relay 24 V 50-60 Cy
5	000 026 836	Trsfmr 115-60
6	000 027 870	Trsfmr 115/230 50/60
7	000 028 410	Block-Term Amp
8	000 028 441BG	Guide Socket (Bag 10)
9	000 028 442BG	Guide, Pin (Bag 10)
10	000 028 452	Varistor
11	000 028 494	Hook
12	000 029 010	Post Fuse Extractor
13	000 029 014BG	Locking Spring Catch
14	000 029 117	Handle
15	000 029 301	Rectifier-Silc. 2069
16	070 001 990	Knob-Chassis Cover
17*	070 005 149	Relay-Thermal
18	070 005 514	Shield-Angle
19	070 005 515	Relay-Chassis 24Vac
20	070 005 652	Cpctr-100Mfd 250Wvdc
21	070 005 666	Circuit Breaker
23	070 005 842	Diode-Power
25	070 005 859	Diode-Power
26	070 005 874	Cpctr-1500Mfd 50W.V.
27	070 005 883	Relay
28	070 005 898	Trsfmr 115/230 50

ITEM	PART NUMBER	DESCRIPTION
30	070 005 998	Triac
33	070 011 753	Relay Mtg. Bracket
34	070 011 755	Relay 50/60Hz
40	610 704 141	Relay 50-60 Hz
41	713 510 007	Pawl-Chassis Cover
42	724 511 050	Tin-Clip-Ty'U'c-8111
43	743 502 024	Circuit Breaker Cb2/Cb3
44	743 506 006	Circuit Breaker 3 Amp
45	813 327 062	6-32 X 3/8 Sltd Pan Head Screw
48	818 221 102BG	Scr-Smrd #4-40X5/8 (Bag 10)
49	818 227 062	Screw-Smrd #6 X 3/8
50	818 227 082BG	Scr-Smrd #6-32X1/2 (Bag 10)
51	818 227 102	Screw-Smrd #6-32 X 5/8
52	818 233 042	Screw-Smrd #8-32 X 1/4 - OBS
53	818 233 062BG	Scr-Smrd #8-32X3/8
54	818 233 082BG	Scr-Smrd #8-32X1/2 (Bag 10)
55	818 233 122BG	Scr-Smrd #8-32X3/4 (Bag 10)
56	824 332 082BG	Scr-Tap-Tr #8X 1/2 Tya (Bag 10)
57	843 121 002	Nut-Kep 4-40 Wash
58	843 127 002BG	Nut-Kep 6-32 Wash (Bag 10)
59	843 133 002BG	Nut-Kep 8-32 Wash (Bag 10)
60	843 140 002BG	Nut-Kep 10-32 Wash (Bag 10)
61	948 637 072BG	Wshr- 3/16X7/16X3/64 (Bag 10)

* Replace with Thermal Delay Relay Kit 612 070 040.

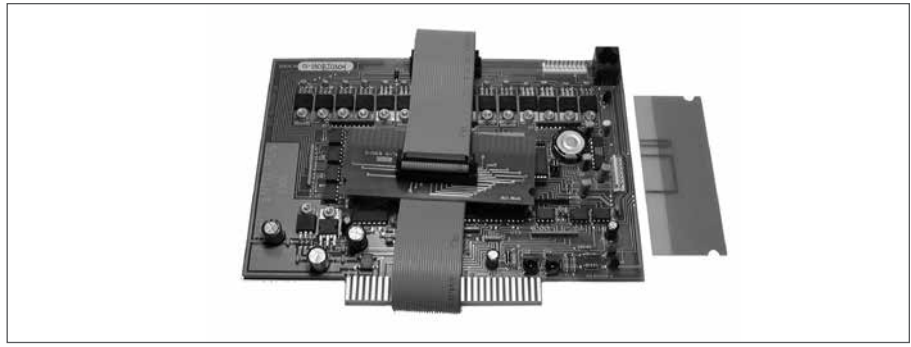
XOP RELAY AND CABLE



Product Code **070009872**
 XOP Relay and Cable

755507073
 Relay Only

XOP BOARD

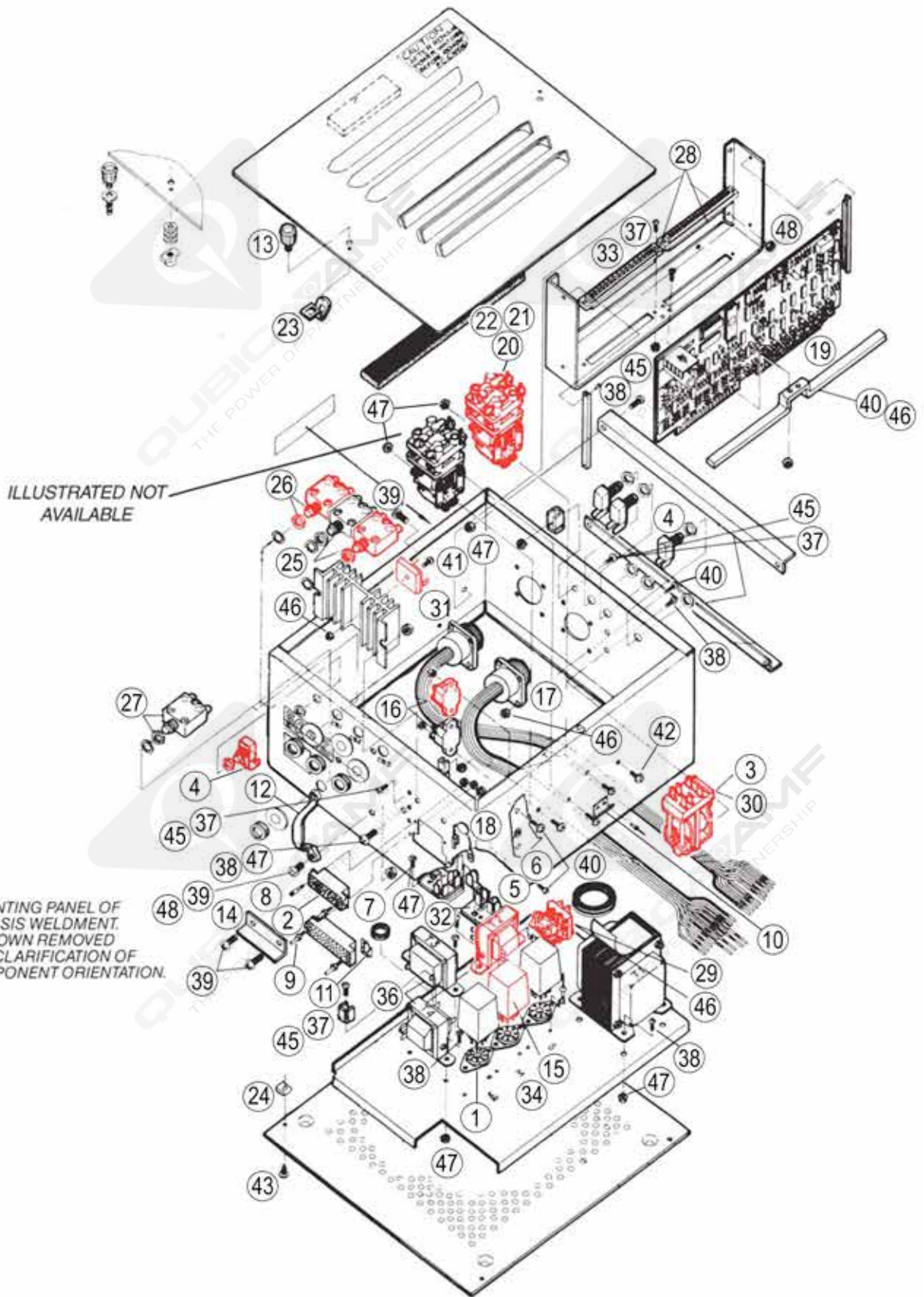


Features:

- Works great to replace five boards in a five-board chassis.
- Comprehensive status indicators
- Single chip microprocessor
- Solid state power Field Effect transistors
- Low heat emission
- Optically coupled inputs (surge protector)
- Program (memory) reset
- Software upgradable for future enhancements
- Auto scoring interface: shortens strike cycle, auto sweep reverse 7-10 pick
- By passes: KX relay:
- Pin lamp triac
- Capacitors #2 and 3
- Diodes #2, 14 through 23

Product Code **610709870**
610709870-R

MP CHASSIS ASSEMBLY



MP CHASSIS ASSEMBLY

ITEM	PART NUMBER	DESCRIPTION
1	000 021 231	Socket
2	000 025 068	Block-Termamp2008382
3	000 025 863	Relay 24 V 50-60 Cy
4	000 025 865	Plunger Switch
5	000 026 836	Trsfmr 115-60
6	000 027 870	Trsfmr 115/230 50/60
7	000 028 410	Block-Term Amp
8	000 028 441BG	Guide Socket (Bag 10)
9	000 028 442BG	Guide, Pin (Bag 10)
10	000 028 494	Hook
11	000 029 014BG	Locking Spring Catch
12	000 029 117	Handle
13	070 001 990	Knob-Chassis Cover
14	070 005 514	Shield-Angle
15	070 005 515	Relay-Chassis 24Vac
16	070 005 666	Circuit Breaker
17	070 009 811	Receptacle Assy (Mask)
18	070 009 815	Varistor Assembly T1
19	070 009 860	MP Board w/ LEDs
20	070 011 753	Relay Mtg. Bracket
21	070 011 755	Relay 50-60Hz
22	610 704 141	Relay 50-60Hz Kit
23	713 510 007	Pawl-Chassis Cover
24	724 511 050	Tin-Clip-Ty'U'c-8111
25	743 502 024	Circuit Breaker Cb-2 & Cb-3
26	743 506 006	Circ Brkr-3 Amp
27	743 507 007	Circ Brkr-1 Amp
28	748 010 034	Transient Voltage Suppressor
29	755 504 006	Relay P&B Ka5av 24V
30	755 504 048	Relay P&B T91
31	756 001 008	Rectifier-Bridge 12A
32*	760 001 070	Term-Adptr-3000S-5-1
33	760 005 129	Termnal Amp#583361-4
34	761 700 002	Varistor-Ge V4721
36	762 015 015	Trsfmr 120 50/60
37	811 921 082	#4-40 x 0.50 Scr FHPM Zn
38	812 633 062BG	Scr-Rdhd #8-32X3/8Cd (Bag 10)
39	813 540 082BG	Scr #10-32X1/2Cd (Bag 10)
40	818 227 102	Screw-Smrd #6-32 X 5/8
41	818 227 162BG	Scr-Smrd #6-32X1 (Bag 10)
42	818 233 122BG	Scr-Smrd #8-32X3/4 Bag(10)
43	823 132 082BG	Screw-Tap-Rdt 8 X 1/2 (Bag 10)
44	834 821 000BG	Nut-Hex 4-40 Brass (Bag 10)
45	843 121 002	Nut-Kep 4-40 Wash
46	843 127 002BG	Nut-Kep 6-32 Wash (Bag 10)
47	843 133 002BG	Nut-Kep 8-32 Wash (Bag 10)
48	843 140 002BG	Nut-Kep 10-32 Wash (Bag 10)
49	951 020 000BG	Wshr-Lk-Split # 4 (Bag 10)

* After serial #16795, effective 10-10-98

PC BOARD COMPONENTS MANUAL

Features:

- In-depth description of on-board circuits and circuit theory
- Identification of all board components
- Converts foul units, 5-board chassis, MP through 9850 and more

Product Code 610007030

SUPER STAR RC CHASSIS

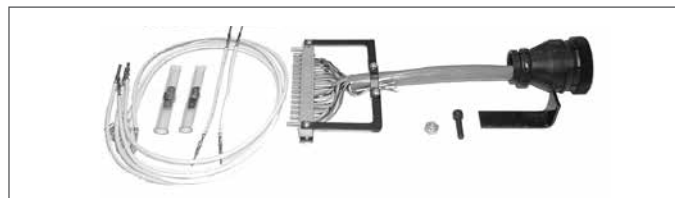


Features:

- New improved design features resettable breaker protection for all high-voltage circuits, colling fan, and stronger internal components.
- Easy control with state-of-the-art LED lights and switches
- Separate status lights and controls for each 82-70
- Six function control switches per lane
- 47 Led status indicator lights per lane
- Replaces either 5 board, stepper or MP chassis
- New technology is easier to support

Product Code 610070301 110v
610070302 220v

MP CHASSIS ADAPTER KIT



Features:

- Includes Elco Mask Adapter
- Sweep Reverse Wiring- For AMF Automatic Scoring Interface
- Spotting Latch Override- Keeps latch from jamming during Strike Cycle
- Less Chassis Repair/Replacement
- Saves unnecessary Table Run when interfaced to AMF Automatic Scoring

Product Code 610070300

120V 60HZ MP CHASSIS

Features:

- Direct replacement for 6525 chassis on 82-30's.
- LED diagnostics and push button operation.
- Runs short strike cycle when connected to QubicaAMF scoring.
- New improved design features resettable breaker protection for all high-voltage circuits, cooling fan, and stronger components.

Product Code 030016526

TABLE WIREWAY ASSEMBLY

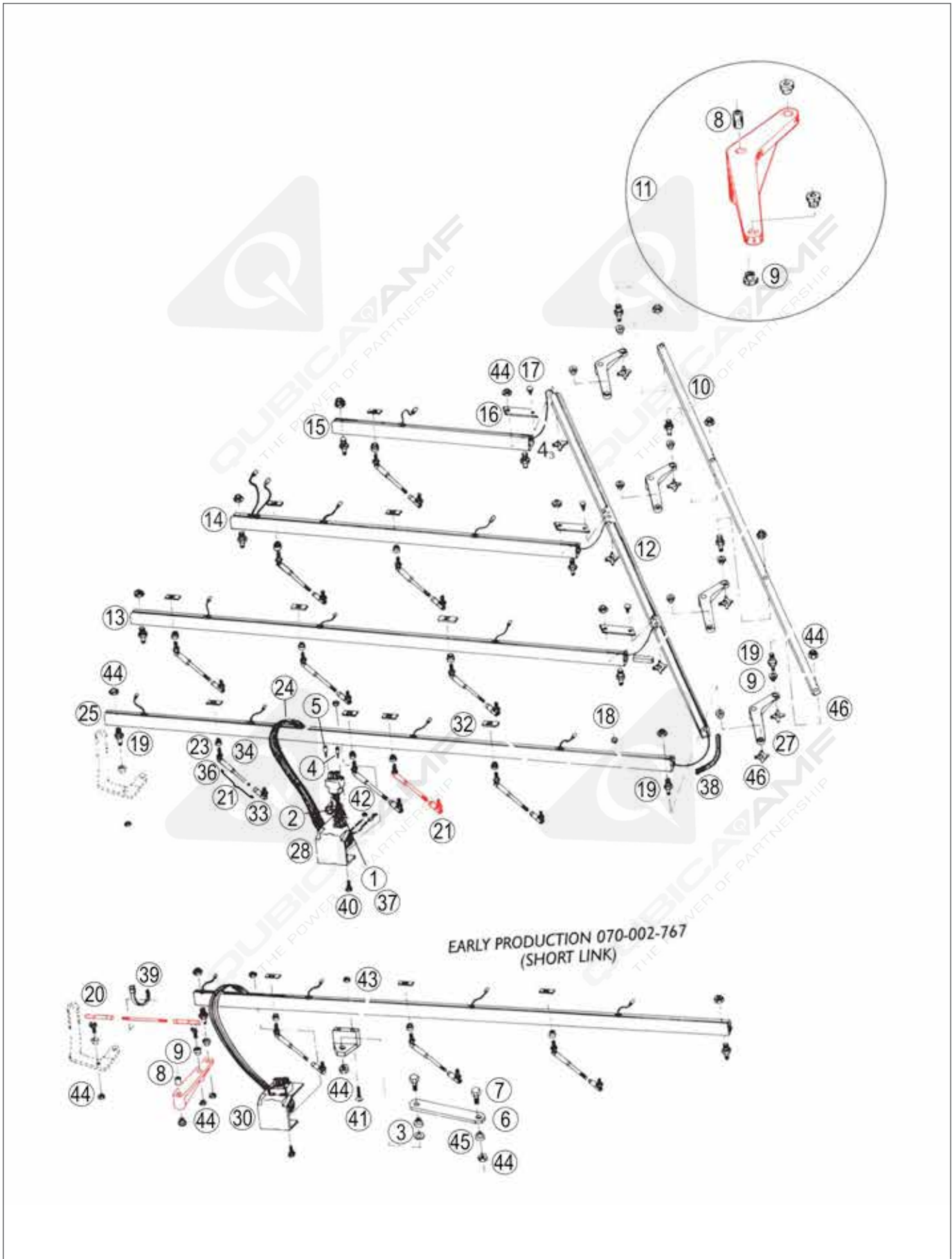


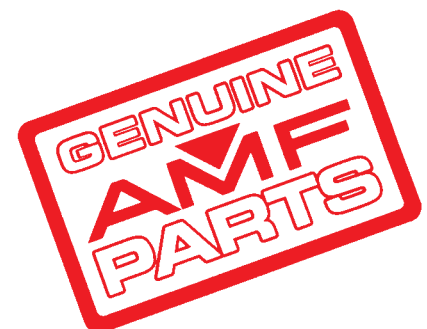
TABLE WIREWAY ASSEMBLY

ITEM	PART NUMBER	DESCRIPTION
1	000 025 079	Block-Term Amp
2	000 025 556BG	Catch Spring Lock (Bag 2)
3	000 026 865BG	Washer (Bag 10)
4	000 028 441BG	Guide Socket (Bag 10)
5	000 028 442BG	Guide Pin (Bag 10)
6	070 002 582	Drive Link Assembly-Rear
7	070 002 619	Pin Actuator Shaft
8	070 002 652BG	Bearing SI .252 X 315 X .5 Lg (Bag 20)
9	070 002 653BG	Bearing FI .252 X .315 X .38 (Bag 20)
10	070 002 671	Link Respot Connector
11	070 002 678	Lever Respot Assy
12	070 002 766	Link-Table Assembly
13	070 002 768	Link-Table Assembly
14	070 002 769	Link-Table Assembly
15	070 002 770	Link-Table Assembly
16	070 002 771	Plate-Table
17	070 002 772BG	Pin-Table (Bag 10)
18	070 002 773BG	Grommet-Table Asy (Bag 10)
19	070 002 774BG	Pin (Bag 2)
20	070 002 813	Respot Link
21	070 002 814	Link Assembly
23	070 002 815BG	Bearing .252 X .318 X .307 Lg (Bag 10)

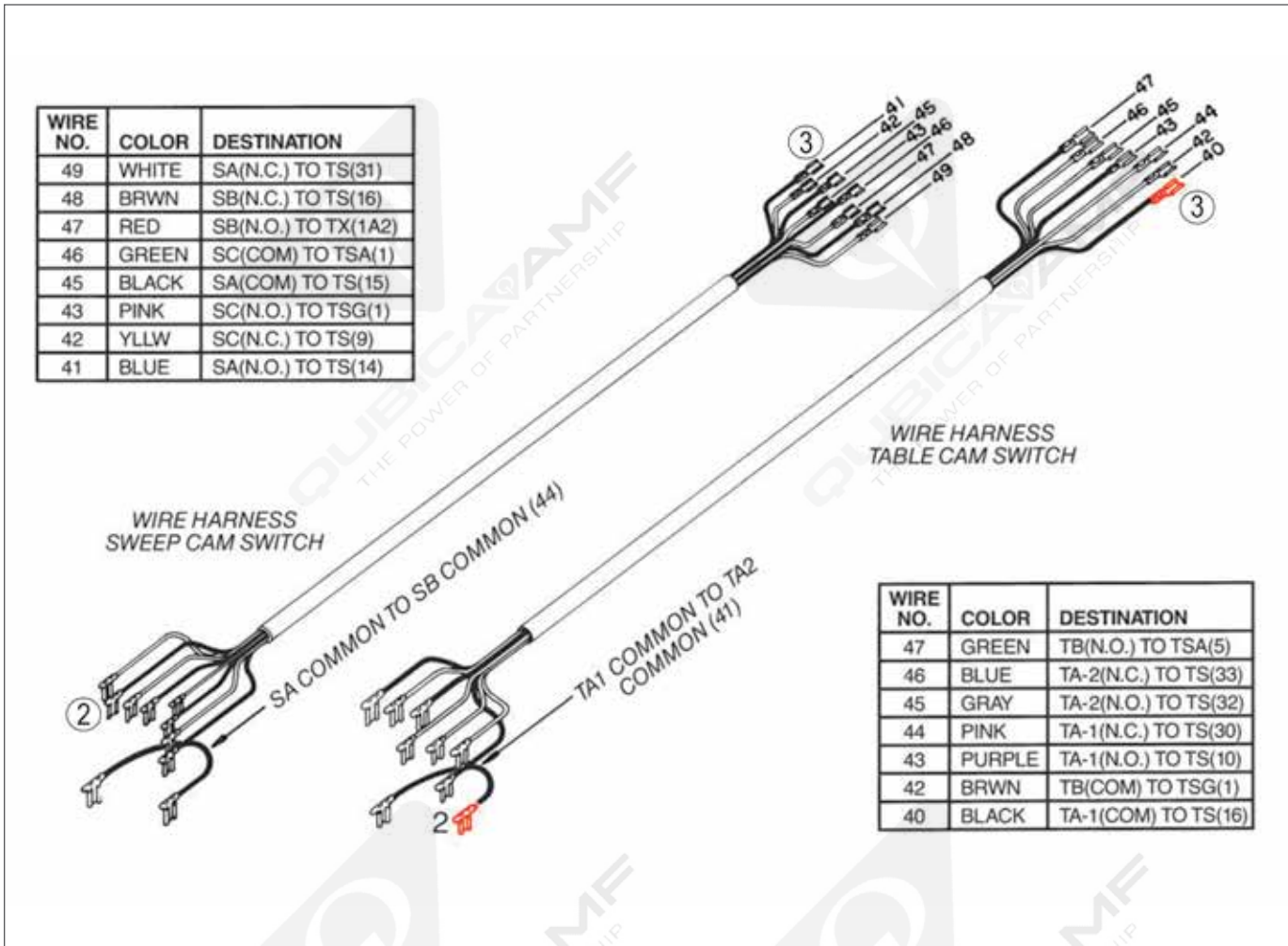
ITEM	PART NUMBER	DESCRIPTION
24	070 005 602	Cbl-Table
25*	070 006 669	Link Respot
27	070 007 623	Lever Respot Assembly
28	090 002 538	Table Connector Bracket
30	610 704 010	Table Cable Replacement Kit
32	724 507 002BG	Tin-Nut C-160-1420 (Bag 10)
33	730 023 015	Shell
34	730 027 019	Stud-Ball 1/4-20
OBS**	730 035 025	Clip, Ball-Joint, Brass
36	730 036 025	Clip-Silver
37	760 011 197BG	Term-Pin.062 Dia Lp (Bag 10)
38	770 008 009	Spirap-Poly-5 Ft Strip
39	770 011 029	Tyrap-7.31 Inch Lg
40	809 849 085	Screw-Hex 1/4-20 X 1/2
41	812 039 162BG	Screw-FLHd 10-24 X 1 (Bag 10)
42	834 821 000BG	4-40 Hex Brass Nut (Bag 10)
43	839 539 002BG	Nut-Fix-Tk *10-24 Ht(Bag 10)
44	844 049 002BG	1/4-20 Lock Nut (Bag 10)
45	900 205 053BG	Bearing FI .315 X .44 X 5/16 (Bag 5)
46	963 200 002BG	Washer-X 1/8 9000-8 (Bag 10)

* Short Link 070 002 767 is no longer available. Use item 25 as replacement.

** The brass clip is now obsolete. A complete new link assembly using a silver clip may be needed as a replacement due to size differences.



WIRE HARNESS SWEEP CAM SWITCH & TABLE CAM SWITCH



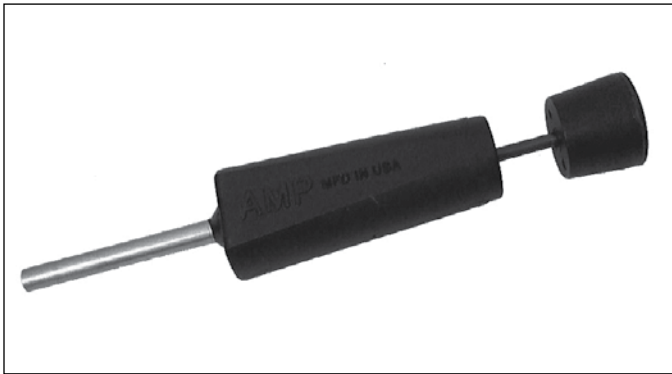
WIRE HARNESS SWEEP CAM SWITCH & TABLE CAM SWITCH

ITEM	PART NUMBER	DESCRIPTION
2	760 006 195	Term Flg .250 X .032 Lp
3	760 017 036	Term-Straight Amp41729

SPECIAL TOOLS - CHASSIS & ELECTRICAL

ITEM	PART NUMBER	DESCRIPTION
	030 004 031	Amp Extracting Tool
	791 003 004	C-2A Circuit Tester
	791 003 003	Continuity Test Light
	792 512 019	Amp Crimping Tool

AMP EXTRACTING TOOL

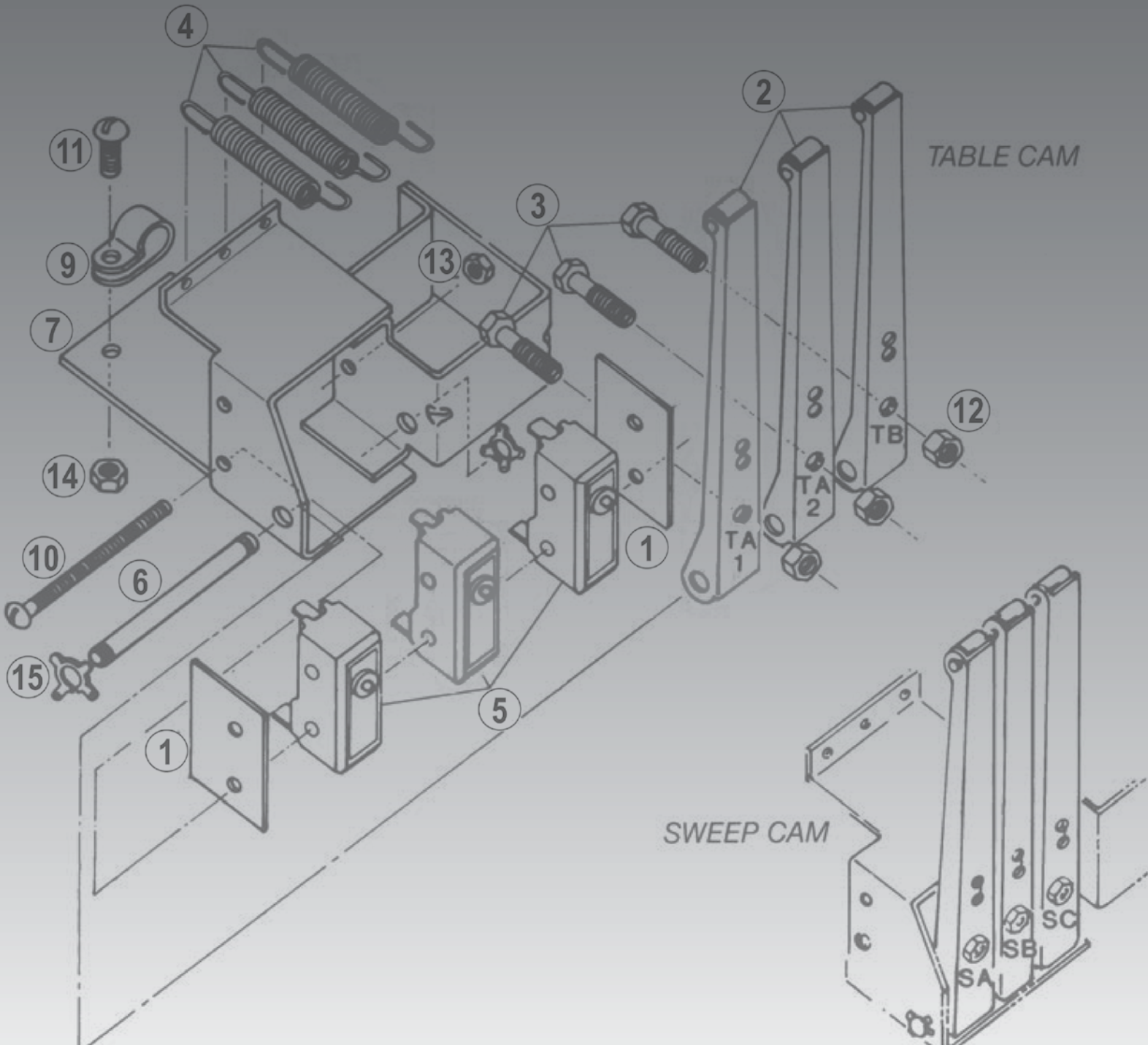


Product Code 030004031

CONTINUITY TEST LIGHT



Product Code 791003003



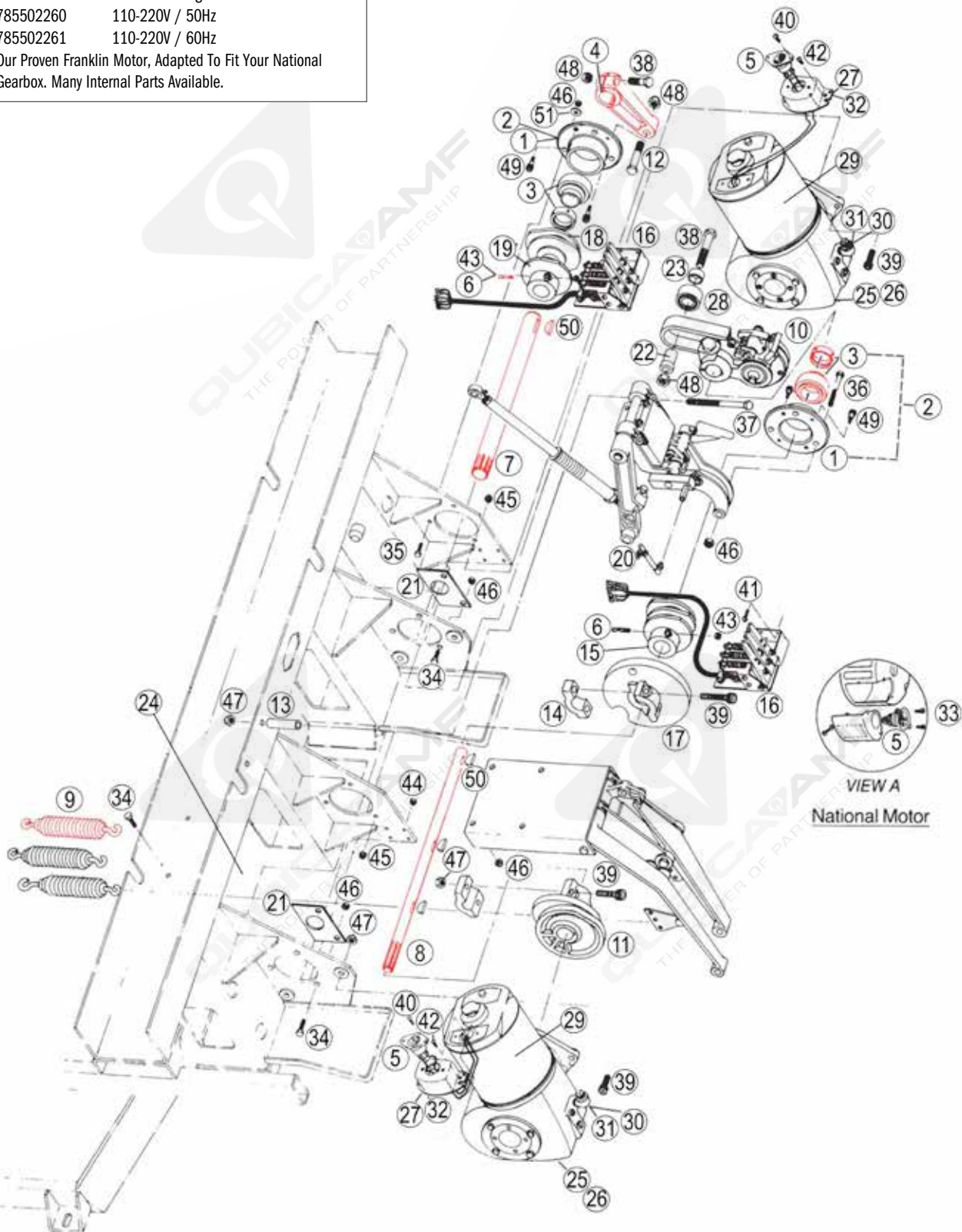
QUBICA AMF
FRONT END COMPONENTS



FRONT END DRIVE ASSEMBLY

NATIONAL COMBO MOTOR REPLACEMENT

070007875 Combo Westinghouse 60Hz Motor
785502260 110-220V / 50Hz
785502261 110-220V / 60Hz
Our Proven Franklin Motor, Adapted To Fit Your National
Gearbox. Many Internal Parts Available.



FRONT END DRIVE ASSEMBLY

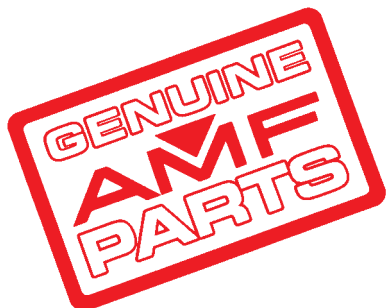
ITEM	PART NUMBER	DESCRIPTION
1	000 021 683	Retainer, Bearing
2	000 021 744	Bearing, Self Aligning
3	000 021 905	Bearing (Locking Collar)
4	000 023 139	Arm-Crank
5	000 027 655	Receptacle-Male Combo 5 Prong
6	070 001 664	Clamp Stud
7	070 001 699	Shaft, Sweep Drive
8	070 001 700	Shaft, Table Drive
9	070 001 707	Spring
10	070 001 840	Table Drive Assy
11	070 001 910	Spot Respot Cam
12	070 003 243	Screw-Crank Arm
13	070 006 310	Spacer
14	070 006 407	Cap-Cam Hub
15	070 006 417	Table Cam Weld
16	070 006 420	Cam Switch Assy
17	070 006 427	Cam, Shuttle
18	070 006 449	Cam Weld-SB & SC
19	070 006 450	Cam Weld-SA
20	070 006 493	Ball-Joint Assy
21	070 006 765	Shaft Plate
22	070 007 310	Bushing
23	070 007 311	Sleeve
24	070 007 761	Brkt Spot Respot Spring Hanger Kit
25	070 007 874	50Hz Bluffton Combo Gearmotor
26	070 007 875	60Hz Bluffton Combo Gearmotor
27	090 004 521	Receptacle Housing
28	190 001 490	Bearing, Table Drive
29	612 070 031	Bluffton Combo Motor Kit

ITEM	PART NUMBER	DESCRIPTION
30	718 506 006	Elbow, Street
31	785 501 040	1/4-18 NPT Sq Plug Breather
32	785 501 655	Recpt Assy-West Comb
33	785 502 202	Screw Rdhd 3 X 10Mm
34	809 857 125BG	Screw-Hx 5/16-18 X 3/4 (Bag 10)
35	809 857 165BG	Screw-Hx 5/16-18 X 1 (Bag 10)
36	809 857 405BG	Screw-Hx 5/16-18 X 2 1/2 (Bag 10)
37	809 865 645BG	Screw-Hx 3/8-16 X (Bag 10)
38	809 873 405BG	Screw-Hx 1/2-13 X 2 1/2 (Bag 10)
39	810 265 280BG	Screw-Soc 3/8-16 X 1 3/4 (Bag 10)
40	818 227 062	Screw 6-32 X 3/8 Phil Rd
41	818 239 122BG	Screw-Smrd 10-24 X 3/4 (Bag 10)
42	828 127 062BG	Screw-Rdhd 6-32 X 3/8Tyd (Bag 10)
43	835 549 002BG	1/4-20 Jam Nut (Bag 10)
44	840 039 002BG	10-24 Flex Nut Tn (Bag 10)
45	843 139 002BG	Nut, Keps Ext. Lkwshr (#10-24) (Bag 10)
46	844 057 002BG	5/16-18 Stover Locknut (Bag 10)
47	844 065 002BG	3/8-16 Stover Lock Nut (Bag 10)
48	844 073 002BG	1/2-13 Stover Locknut (Bag 10)
49	880 239 140BG	Screw1/4X1/2Lg.ShoulderBolt(Bag10)
50	907 000 900BG	Key-Hy Pro 910 (Bag 10)
51	948 761 112BG	5/16 Washer (Bag 10)
Not Shown		
	030 003 943	Crank, Motor
	088 001 174	End Machine Guard
	610 700 153	End Machine Kit
	610 704 103	Kit-Spring Roller Pin Repair Kit
	610 704 120	Double To Single Solenoid Conv. Kit

Note: Lubricant for Motor: 715 021 716 LUBE OIL, 600W, QUART
715 021 706 LUBE OIL, 600W, 12 QUARTS

SPECIAL TOOLS - FRONT END

030003943	Motor Crank
792505005	Spring Puller
030002748	Cam Gauge



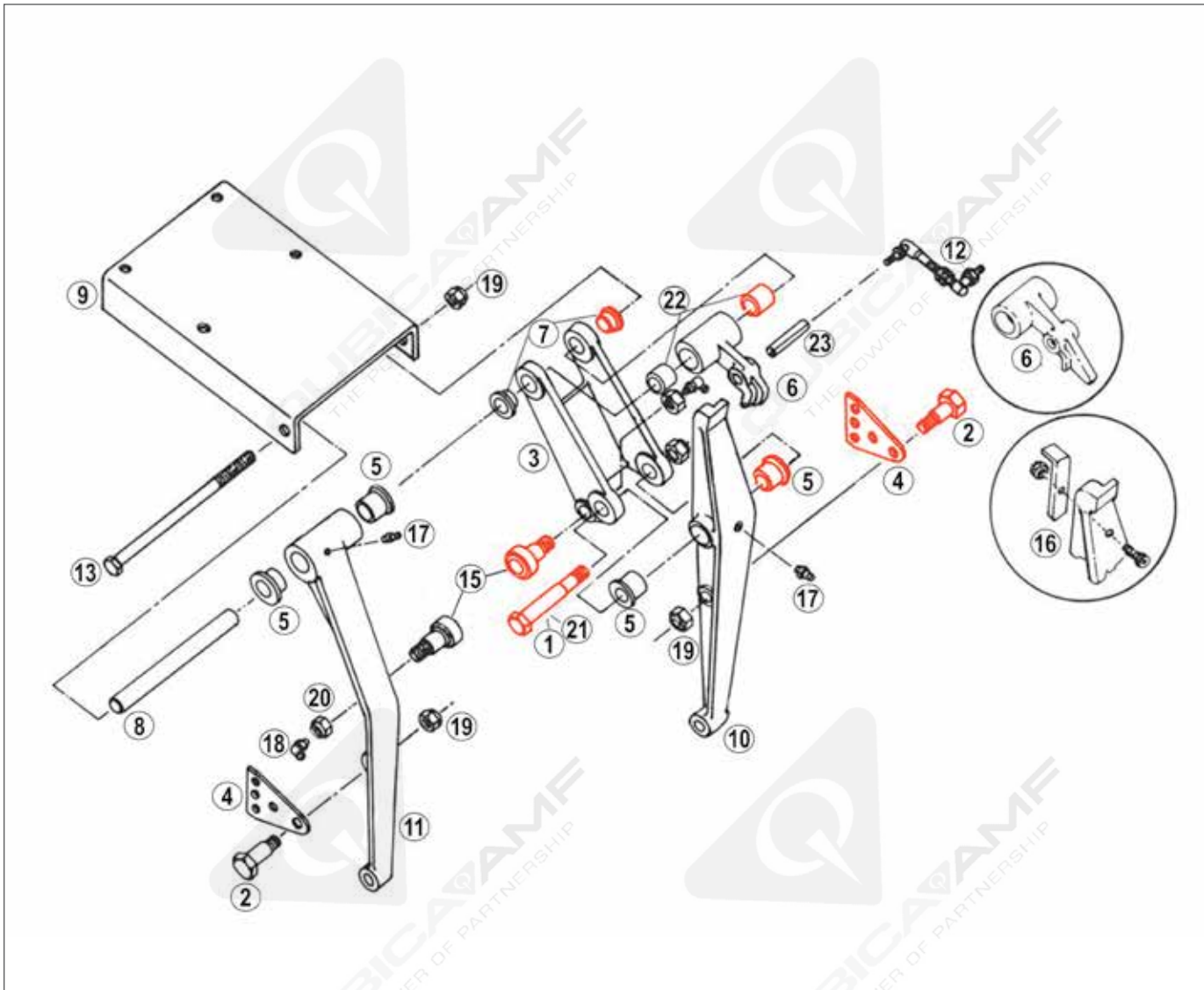
SOLID STATE MOTOR SWITCH



Includes the braking circuit to help prevent coasting.

Product Code 610309044

SPOT & RESPOT LINK ASSEMBLY

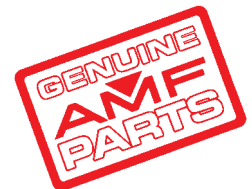


SPOT & RESPOT LINK ASSEMBLY

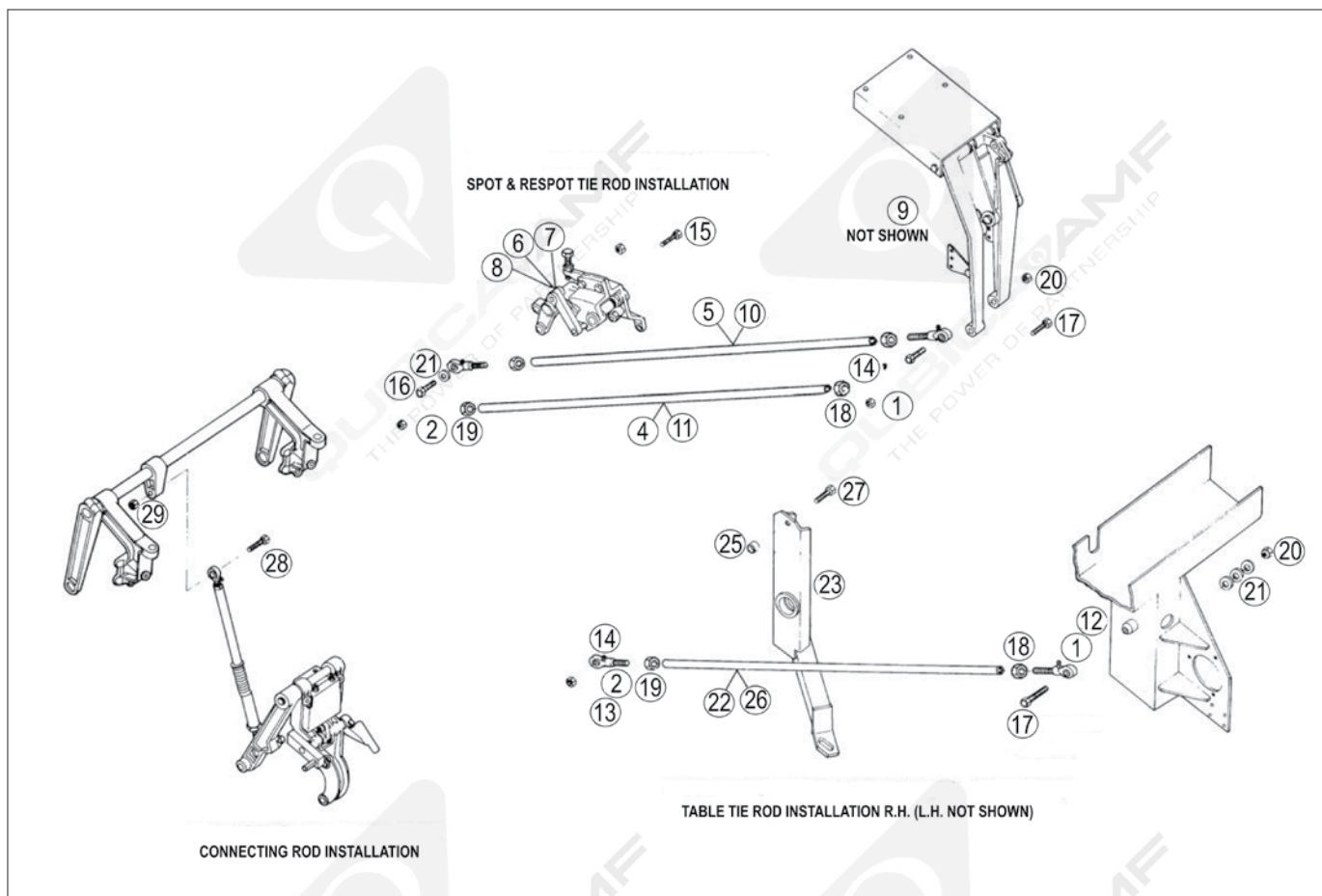
ITEM	PART NUMBER	DESCRIPTION
1	070 001 585	Pin-Spot Link
2	070 001 587	Pin-Spring Hanger
3	070 001 605	Spot Link Assembly-Upper
4	070 001 751	Hanger-Spring
5	070 001 919BG	Flanged Bushing (Bag 10)
6*	070 001 997	Latch Assembly - Spot Arm Assy
7	070 002 691BG	Flanged Bushing (Bag 10)
8	070 006 457	Shaft
9	070 006 478	Bracket
10	070 006 481	Link Arm-Spot Assy
11	070 006 492	Link Arm-Respot Assy
12	070 006 493	Ball-Joint Assembly

ITEM	PART NUMBER	DESCRIPTION
13	070 006 496	Screw-Hx 3/8-16 X 7
15	610 704 002	Cam Follower Assembly
16*	610 704 127	Kit-Latch Override Use With Mp Chassis And 070006445 Latch Assembly
17	710 501 009	Fittng-Almte
18	710 501 012	Fittng-Almte
19	839 665 002BG	Nut-Flx 3/8-16 (Bag 10)
20	844 070 002BG	7/16-20 Stover Lock Nut (Bag 10)
21	844 073 002BG	1/2-13 Stover Locknut (Bag 10)
22	900 110 141BG	Bearing SI (Bag 10)
23	913 464 360BG	Pin-Sprng .375 X 2 1/4 (Bag 10)

* Item 6 or 16 is used when upgrading from Elco to MP Chassis. Item 16 is required if original latch 070 006 455 is used with MP chassis.



SPOT & RESPOT TIE ROD INSTALLATION

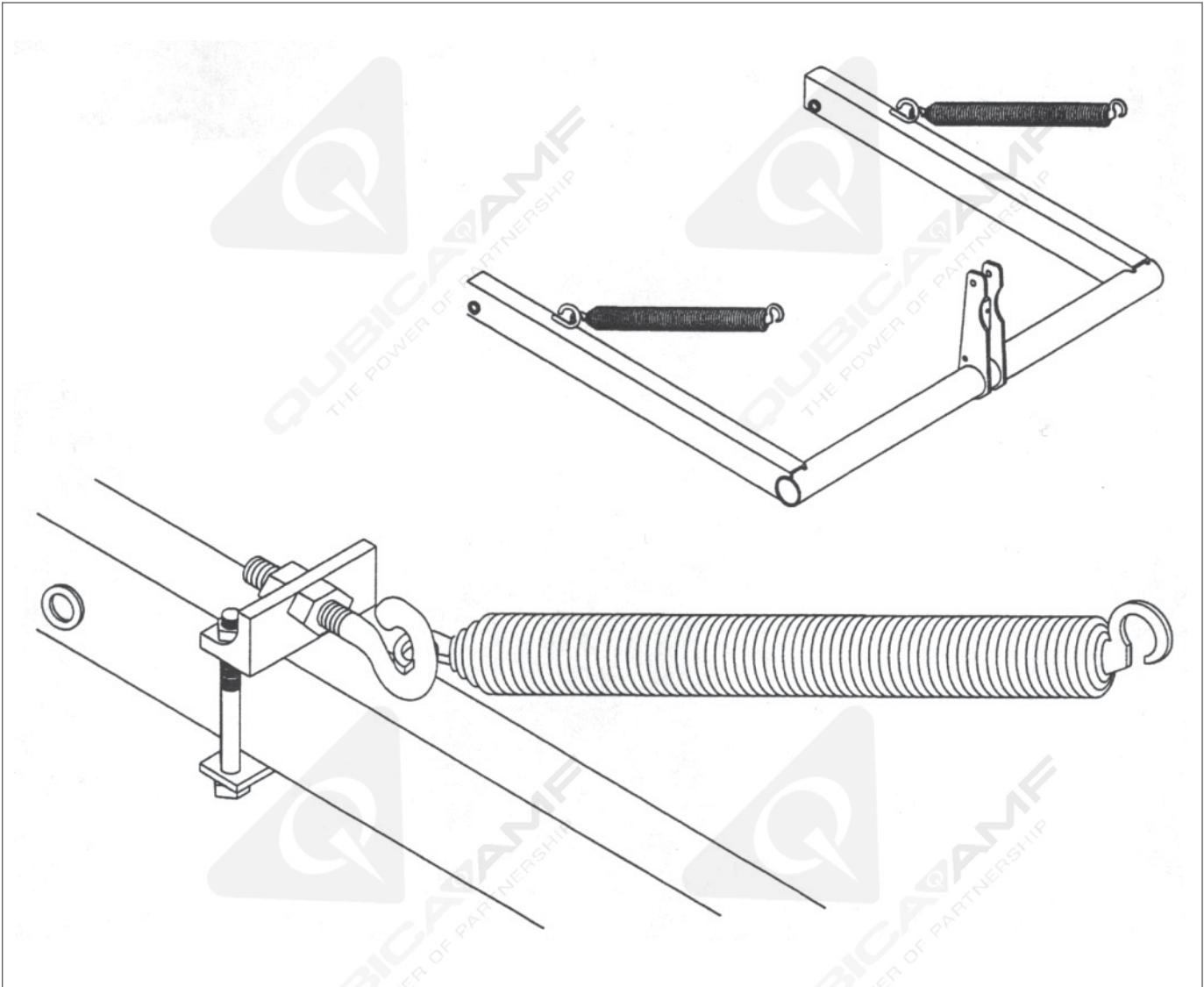


SPOT & RESPOT TIE ROD INSTALLATION

ITEM	PART NUMBER	DESCRIPTION
Spot & Respot Tie Rod Installation		
1	000 025 004	End Fitting Rh
2	000 025 005	End Fitting Lh
3	070 001 602	Tie Rod Spotting
4	070 001 606	Tie Rod Respot
5	070 001 607	Tie Rod Spot
6	070 002 578	Lever Assembly Spot
7	070 002 727	Link & Bearing Assembly
8	070 002 728	Cam Link Bearing Assembly
9	070 007 761	Spot Respot Spring Hanger Repair Kit
10	088 005 501	Spot Tie Rod Asm
11	090 005 251	Tie Rod Assy Spotting
12	090 005 264	End Fitting Rh
13	090 005 265	End Fitting Lh
14	710 501 013	Grease Fitting
15	809 869 245BG	Screw-Hex 7/16-14 X 1 1/2 (Bag 10)
16	809 869 285	Screw-Hex 7/16-14 X 1 3/4
17	809 869 365BG	Screw-Hex 7/16-14 X 2 1/4 (Bag 10)
18	835 570 002BG	Nut-Hex-Jam 7/16-20Hy (Bag 10)
19	835 670 002BG	Nut-Hex-Jam 7/16-20Lh (Bag 10)
20	844 069 002BG	Nut-Stvr-Lk 7/16-14 (Bag 10)
21	949 100 002BG	Washer-59/64 X 15/32 (Bag 10)

ITEM	PART NUMBER	DESCRIPTION
Table Tie Rod Installation		
1	000 025 004	End Fitting Rh
2	000 025 005	End Fitting Lh
22	070 001 557	Tie Rod
23	070 007 295	Table Support Assy Rh
N/S	070 007 296	Table Support Assy Lh (Not Shown)
25	070 007 303	Spacer-Front End
26	090 005 253	Tie Rod Assy
12	090 005 264	End Fitting Rh
13	090 005 265	End Fitting Lh
14	710 501 013	Grease Fitting
27	809 869 325BG	Screw-Hex Hd Cap 7/16-14 X 2 (Bag 10)
17	809 869 365BG	Screw-Hex 7/16-14 X 2 1/4 (Bag 10)
18	835 570 002BG	Nut-Hex-Jam 7/16-20Ry (Bag 10)
19	835 670 002BG	Nut-Hex-Jam 7/16-20Lh (Bag 10)
20	844 069 002BG	Nut-Stvr-Lk 7/16-14 (Bag 10)
21	949 100 002BG	Washer-59/64 X 15/32 (Bag 10)
Connecting Rod Installation		
28	809 865 245BG	Screw-Hex 3/8-16 X 1 1/2 (Bag 10)
29	840 065 002BG	Nut-Flx-Tn 3/8-16 (Bag 10)

COUNTER BALANCE SPRING EYE REPAIR KIT



COUNTER BALANCE SPRING EYE REPAIR KIT

Includes:

- (1) Angle Bracket
- (1) Flat Bracket
- (2) 1/4" - 20 x 3-3/4" Hex Bolts
- (2) 1/4" - 20 Stover Lock Nuts
- (2) 3/8" - 16 Hex Jam Nuts
- (1) 3/8" - 16 x 3-1/2" Eyebolt

- Quick solution for broken spring hooks on the table torque tube
- A simple, strong and neat fix
- Installs quickly and easily - no welding or drilling
- An economical way to extend the life of equipment

Product Code **612070012**

SPRING ROLLER PIN REPAIR KIT

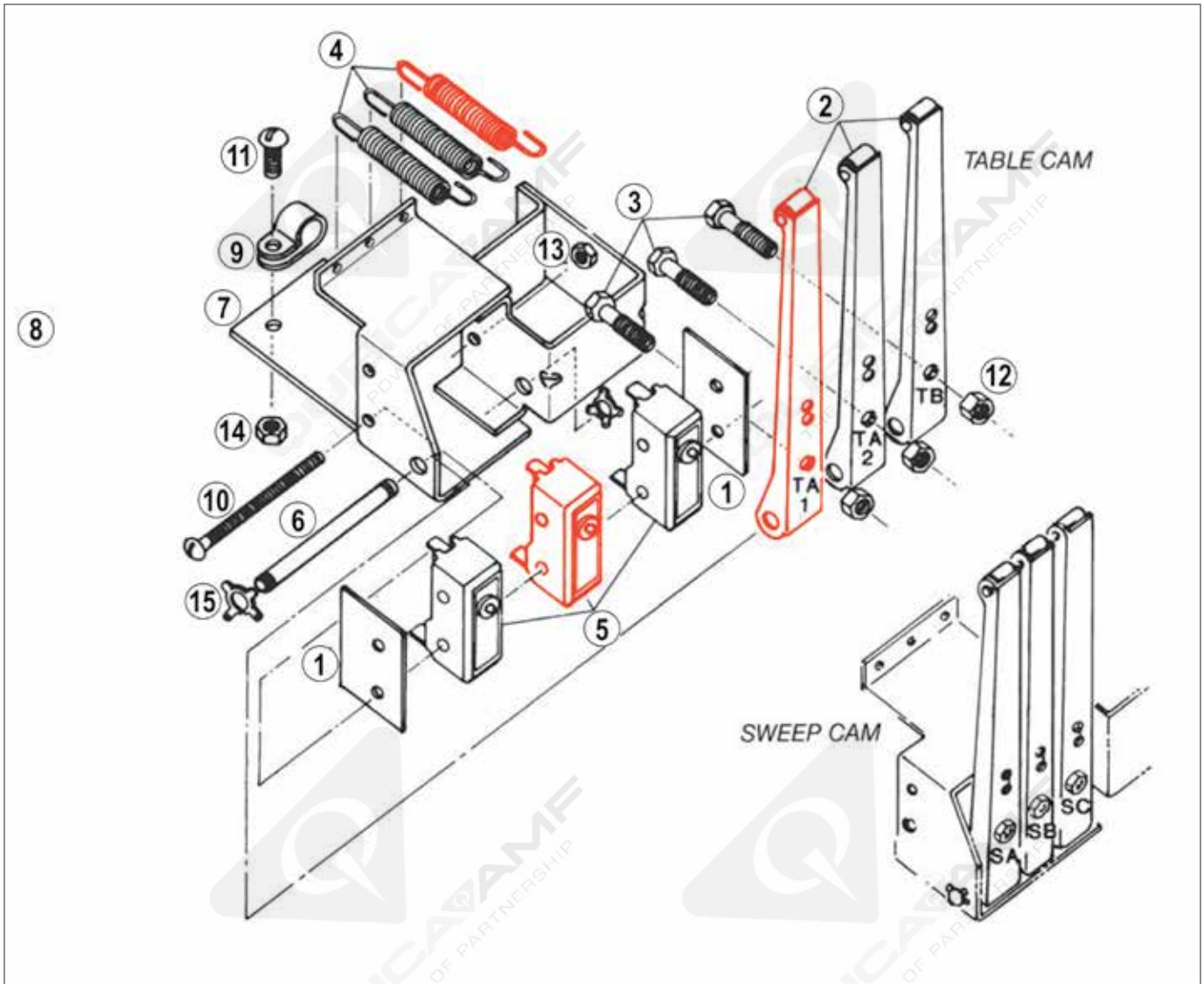


Features:

- Use this kit if the original Stud breaks off
- Special Replacement stud with nut
- Comes with full instructions

Product Code **610704103**

SWEEP & TABLE CAM SWITCH ASSEMBLY

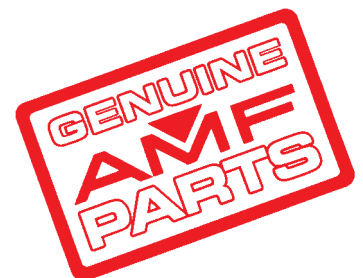


SWEEP & TABLE CAM SWITCH ASSEMBLY

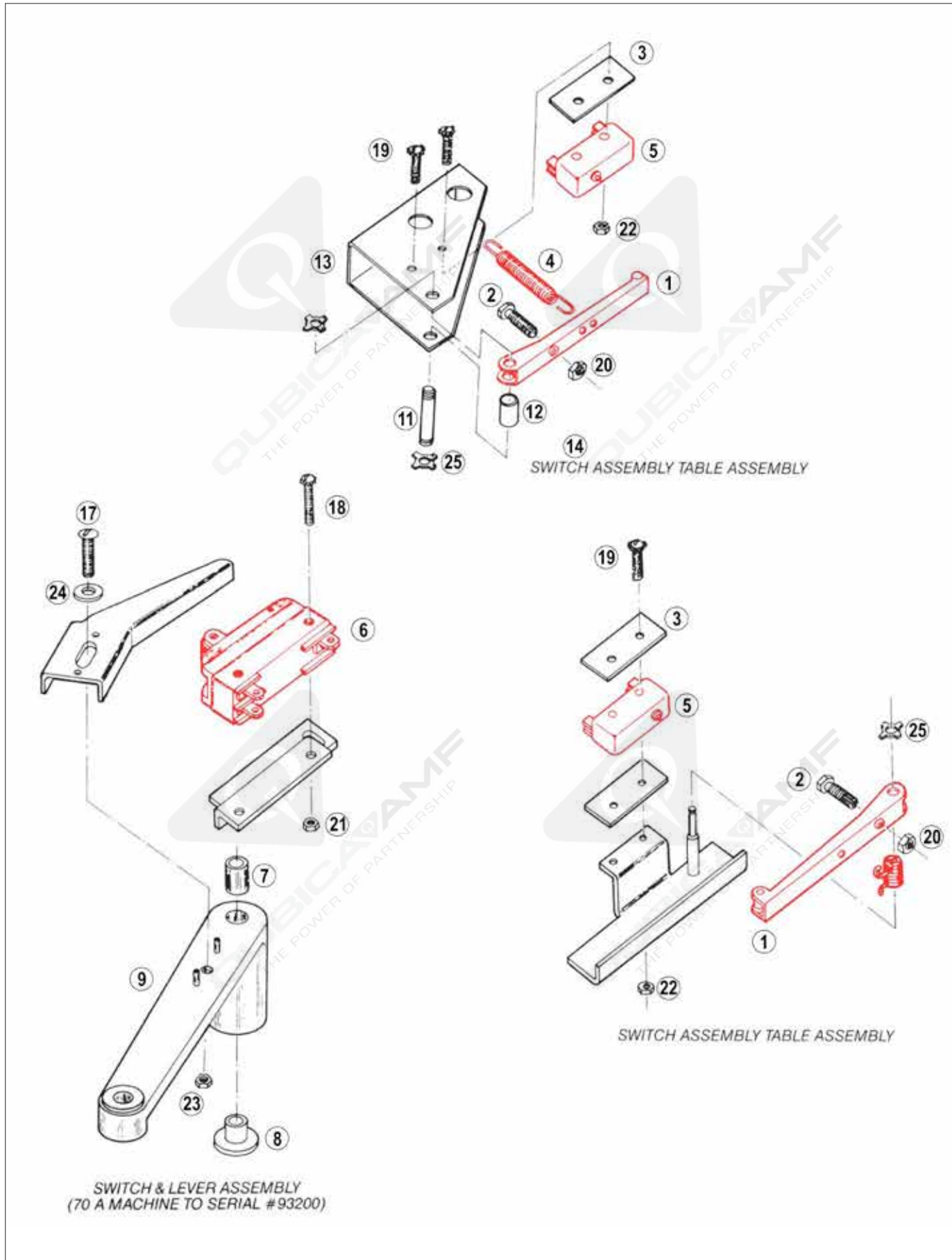
ITEM	PART NUMBER	DESCRIPTION
1	000 021 575	Insulator
2	000 021 645	Lever Assembly-Switch
3	000 021 714	Screw-Adjusting
4	000 024 657	Spring
5	000 026 042	Switch-Micro
6	000 026 401	Shaft
7	000 026 419	Housing Weldment
8	070 006 420	Cam Switch Assy

ITEM	PART NUMBER	DESCRIPTION
9	744 203 014	Clamp-Burndy Hp-6N
10	818 227 402BG	Screw-RH 6-32 X 2 1/2
11	818 233 082BG	Screw-Smrd 8-32 X 1/2
12	835 550 002BG	Nut-Hex-Jam 1/4-28
13	843 127 002BG	Nut-Kep 6-32 Wash
14	843 133 002BG	Nut-Kep 8-32 Wash
15	963 200 002BG	Washer-X 1/8 9000-8

Note: Use Gauge - 030 002 748 for starting adjustment of cams.



SWITCH ASSEMBLY TABLE ASSEMBLY



SWITCH ASSEMBLY TABLE ASSEMBLY

ITEM	PART NUMBER	DESCRIPTION
1	000 021 645	Lever Assembly-Switch
2	000 021 714	Screw-Adjusting
3	000 022 296BG	Insulator-Switch (Bag 10)
4	000 024 657	Spring
5	000 026 042	Switch-Micro
6	000 026 247	Switch
7	070 002 652BG	Bearing Sl .252 X .315 X .5 Lg (Bag 10)
8	070 002 653BG	Bearing Fl .252 X .315 X .38 (Bag 10)
9	070 002 758	Lever & Bushing Assembly
11	070 006 693	Shaft-Switch Assembly
12	070 006 694	Spacer-Switch Assembly
13	070 006 695	Brkt-Switch Assembly
14	070 006 697	SwitchAsy - Table

ITEM	PART NUMBER	DESCRIPTION
17	808 640 141BG	Screw-Soc Lk 10-32 X 7/8 (Bag 10)
OBS	813 727 162	Screw 6-32 X 1.0 - Obs
19	818 227 162BG	Screw-Smrd 6-32 X 1 (Bag 10)
20	835 550 002BG	Nut-Hex-Jam 1/4-28 (Bag 10)
21	838 727 002BG	Nut-Hex-Esn 6-32 Lt (Bag 10)
22	839 527 002BG	Nut-Flx-Tk 6-32 Ht (Bag 10)
23	843 140 002BG	Nut-Kep 10-32 Wash (Bag 10)
24	948 745 082BG	Washer- 7/32 X 1/2 X 1/16 (Bag 10)
25	963 200 002BG	Washer-X 1/8 9000-8 (Bag 10)

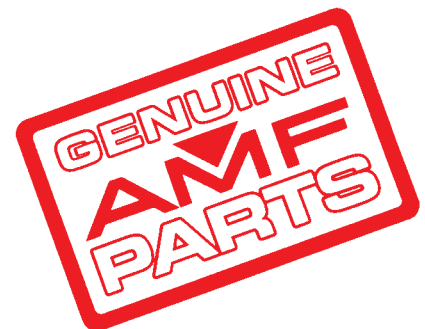


TABLE DRIVE ASSEMBLY

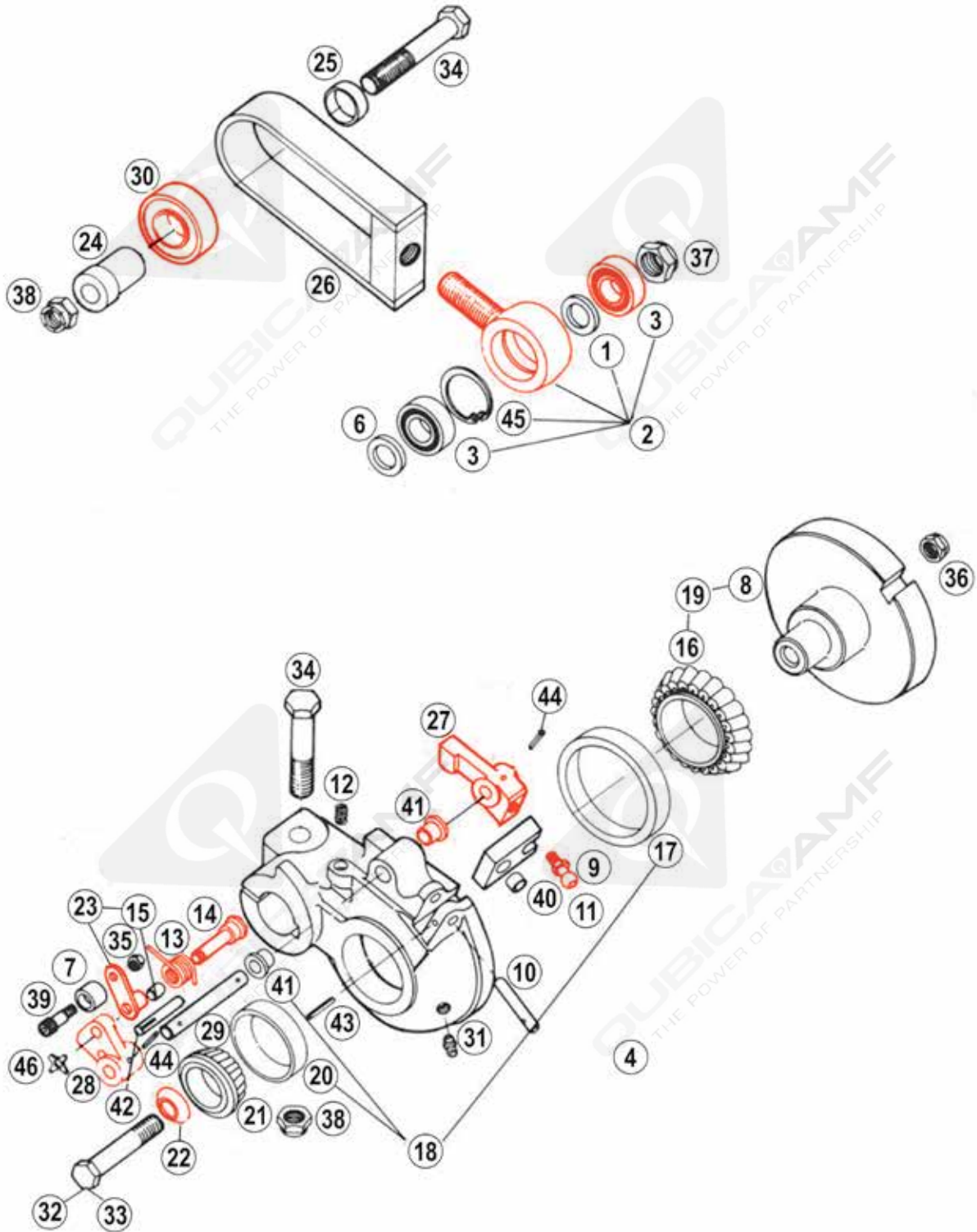
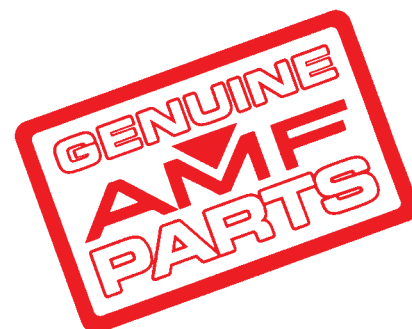
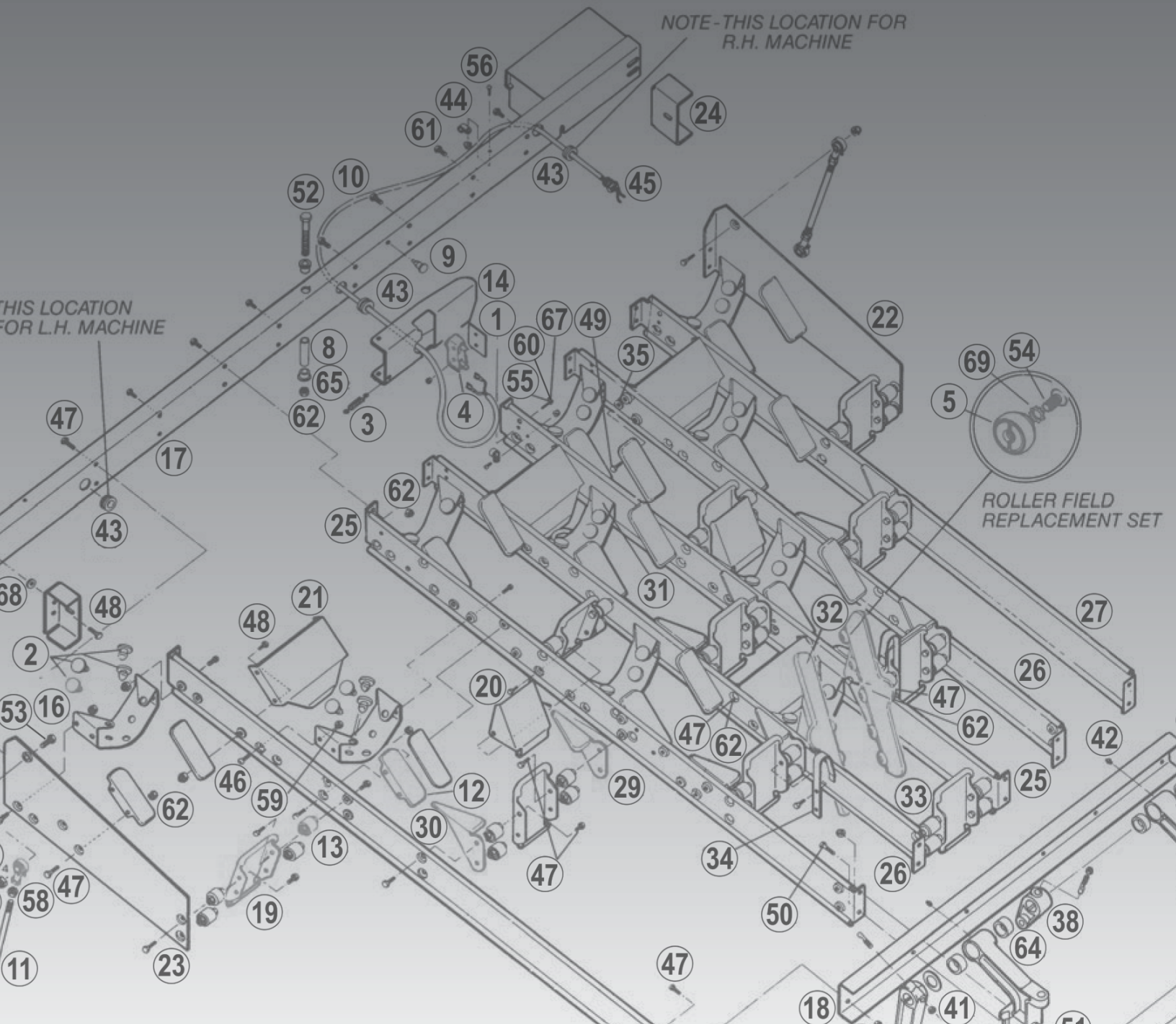


TABLE DRIVE ASSEMBLY

ITEM	PART NUMBER	DESCRIPTION
1	000 021 878	Spacer Rod Assembly
2	000 021 880	Rod End Assembly
3	000 021 881	Bearing Bl .625 X 1.375
4	070 001 840	Table Drive Assembly
6	070 001 849	Washer-Special
7	070 001 857BG	Roller Nylon (Bag 2)
8	070 001 877	Eccentric Table Drive
9	070 001 893	Cam Ball Assembly
10	070 001 894	Pin-Pivot
11	070 001 898	Latch Assembly
12	070 001 917BG	Spring-Compression (Bag 5)
13	070 001 931	Spring
14	070 001 932	Pin
15	070 002 652BG	Brg Sl.252X315x.5Lg (Bag 20)
16	070 002 776	Bearing Cone RI-Tbl Drv
17	070 002 777	Cup-Roller Bearing Lg
18	070 002 778	Housing/Cup Assembly
19	070 002 779	Eccentric & Cone Asm
20	070 002 780	Cup-Roller Bearing Sm
21	070 002 824	Cone & Seal Assy
22	070 006 729	Disc Spring
23	070 007 250	Link Hub Assembly
24	070 007 310	Bearing Fl .502 X .871 X 1.20
25	070 007 311	Sleeve-Table Dr Assembly
26	070 007 755	Yoke Weldment
27	070 008 321	Arm-Latch

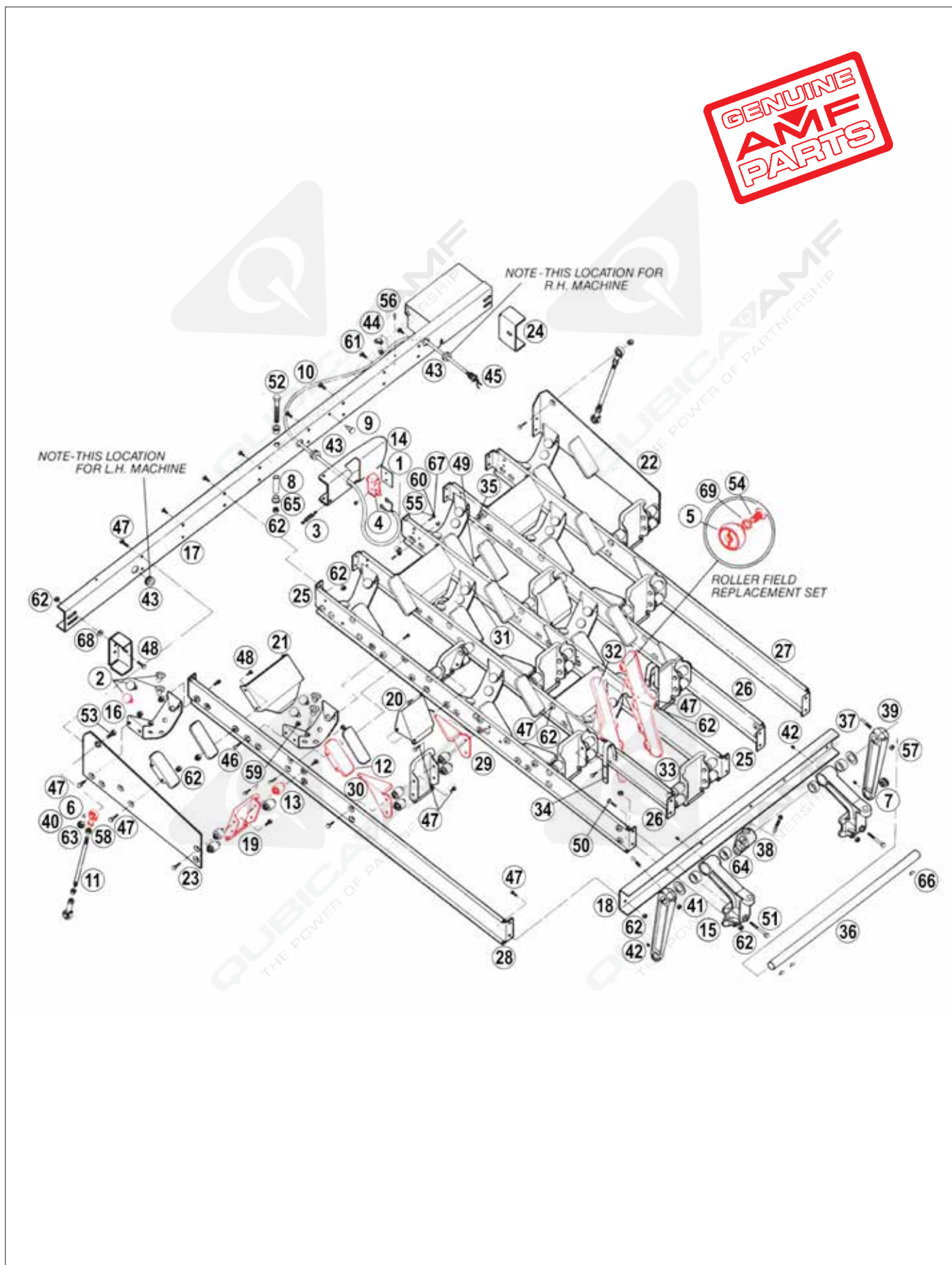
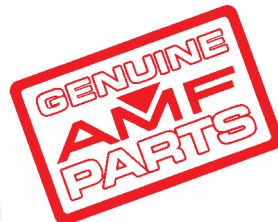
ITEM	PART NUMBER	DESCRIPTION
28	070 008 322	Link-Actuator Assembly
29	070 008 325	Pin-Actuator Assembly
30	190 001 490	Bearing Bl .8750 X .0875 X .5
31	710 501 004	Fittng-Almte* 1641
32	809 870 285BG	Screw-Hex 7/16-20 X 1 3/4
33	809 870 325BG	Screw-Hex 7/16-20 X 2
34	809 873 525BG	Scr-Hx 1/2-13X3 1/4 (Bag 100)
35	839 539 002BG	Nut-Fix-Tk #10-24 Ht (Bag 10)
36	840 070 002BG	Nut Flex 7/16-20 (Bag 10)
37	840 182 002BG	Nut Flx Lk 31Fk1018
38	844 073 002BG	1/2-13 Stover Locknut
39	880 139 120BG	Screw-Shld 1/4 X 3/8
40	900 104 071BG	Brg Sl Bz .253X7/16 (Bag 5)
41	900 205 053BG	Bearing Fl .315 X .44 X 5/16
42	912 137 200BG	Pin-Grv 3/16X1 1/4T3 (Bag 10)
43	913 415 120BG	Pin-Sprng.094 X 3/4 (Bag 10)
44	913 423 120BG	Pin-Sprng.125 X 3/4 (Bag 10)
45	919 000 600BG	Ring-Ret. 5000-137
46	963 300 002BG	Wshr-X 5/32 9000-10 (Bag 10)
	610 704 012	Kit For Old Style Table Drive
	610 704 133	Pin Replacement Kit-Table Drive





QUBICA AMF
**FRONT END
 BIN AND SHUTTLE**





BIN ASSEMBLY

ITEM	PART NUMBER	DESCRIPTION
1	000 021 575	Insulator
2	000 021 992BG	Bumper-Grommet #2250 Bag(10)
3	000 022 168	Spring Sweep Brake
4	000 026 043	Switch-Micro
5	000 026 251BG	Bearing Respot Cell (Bag 10)
6	000 026 446	Rod End
7	000 029 614	Heim Unibal
8	070 006 108	Spacer-Roller Assy-Dist
9	070 006 142BG	Bumper (Bag 10)
10	070 006 272	Switch Cable Assy
11	070 006 351	Rod-Bin Assembly
12	070 006 353	Guide-Pin-Bin Assembly
13	070 006 354BG	Shock Mount-Bin Assembly (Bag 10)
14	070 006 356	Switch Actuator-Bin
15	070 006 358	Brkt Assembly-Bin Assembly
16	070 006 359	Brkt-Bin Assembly
17	070 006 360	Channel Long Weldment
18	070 006 363	Channel-Short
19	070 006 364	Spacer-Butt Guide-Bin
20	070 006 365	Spacer-Head Guide Bin
21	070 006 366	Spacer-Guide Pin Head
22	070 006 369	Guide-Pin RH-Bin Assembly (10 Side)
23	070 006 370	Guide-Pin-LH-Bin Assembly (7 Side)
24	070 006 371	Brkt-Supt-Bin Assembly
25	070 006 372	Stringer Ctr RH
26	070 006 373	Stringer #1 Pin LH
27	070 006 376	Stringer-Outside RH (10 Side)
28	070 006 377	Stringer 4 Pin L.H. (7 Side)
29	070 006 380	Guide-Pin 4-Bin Assembly
30	070 006 381	Guide-Pin 6-Bin Assembly
31	070 006 384	Brkt-Pin 5
32	070 006 386	Track Assy LH (7 Side)
33	070 006 388	Track Assy RH (10 Side)
34	070 006 389	Guide-Pin 1
35	070 006 390	Spacer

ITEM	PART NUMBER	DESCRIPTION
36	070 006 402	Shaft-Bin Assembly
37	070 006 403	Stud-Clamp-Bin Assembly
38	070 006 408	Lever-Bin Assembly
39	070 006 429	Arm Cstg Assembly LH & RH
40	090 005 250	Rod End
41	701 329 050BG	Bearing Th .8905 X 1.5 X 1/8 (Bag 10)
42	710 501 007	Fittng-Almte 1792B
43	711 516 020	Grmt-Atl 1/2ld *2861
44	744 203 014	Clamp-Burndy Hp-6N
45	746 001 016	Cnectr-Str #3302 1/2
46	808 549 080BG	1/4-20 X 1/2 Button Hd Cap (Bag 10)
47	809 849 085	Screw-Hex 1/4-20 X 1/2
48	809 849 125	Screw-Hex 1/4-20 X 3/4
49	809 849 165BG	Screw-Hex 1/4-20 X 1 (Bag 10)
50	809 849 285BG	Screw-Hex 1/4-20 X 1 3/4 (Bag 10)
51	809 849 485BG	Scr-Hx 1/4-20X3 (Bag 10)
52	809 849 605BG	Screw-Hex 1/4-20 X 3 3/4 (Bag 10)
53	809 865 165BG	Screw-Hex 3/8-16 X 1 (Bag 10)
54	813 540 082BG	Screw-TRHd 10-32 X 1/2 Cd (Bag 10)
55	818 227 162BG	Screw-Smrd 6-32 X 1 (Bag 10)
56	818 233 082BG	Screw-Smrd 8-32 X 1/2 (Bag 10)
57	831 565 002BG	3/8-16 Hex Steel Machine Nut (Bag 10)
58	835 566 002	3/8-24 Hex Stl Thin Nut
59	840 049 002BG	Nut Flex 1/4-20 (Bag 10)
60	843 127 002BG	Nut-Kep 6-32 Wash (Bag 10)
61	843 133 002BG	Nut-Kep 8-32 Wash (Bag 10)
62	844 049 002BG	1/4-20 Lock Nut (Bag 10)
63	844 065 002BG	Nut-Strv 3/8-16 (Bag 10)
64	900 114 101BG	Bearing Sl .877 X 1.128 X 5/8 (Bag 10)
65	900 206 091BG	Bearing Fl. (.562 X .688 X .378) (Bag 10)
66	907 000 600BG	Key-Hy Pro 706 (Bag 10)
67	948 631 062	Washer #6 Sae Flat Washer
68	948 753 102BG	Washer-9/32 X 5/8 X 1/16 (Bag 10)
69	957 100 002BG	#10 Ext Tooth Lockwasher. Pltd (Bag 10)

BIN SHOCK MOUNT ASSEMBLY (BAG 10)

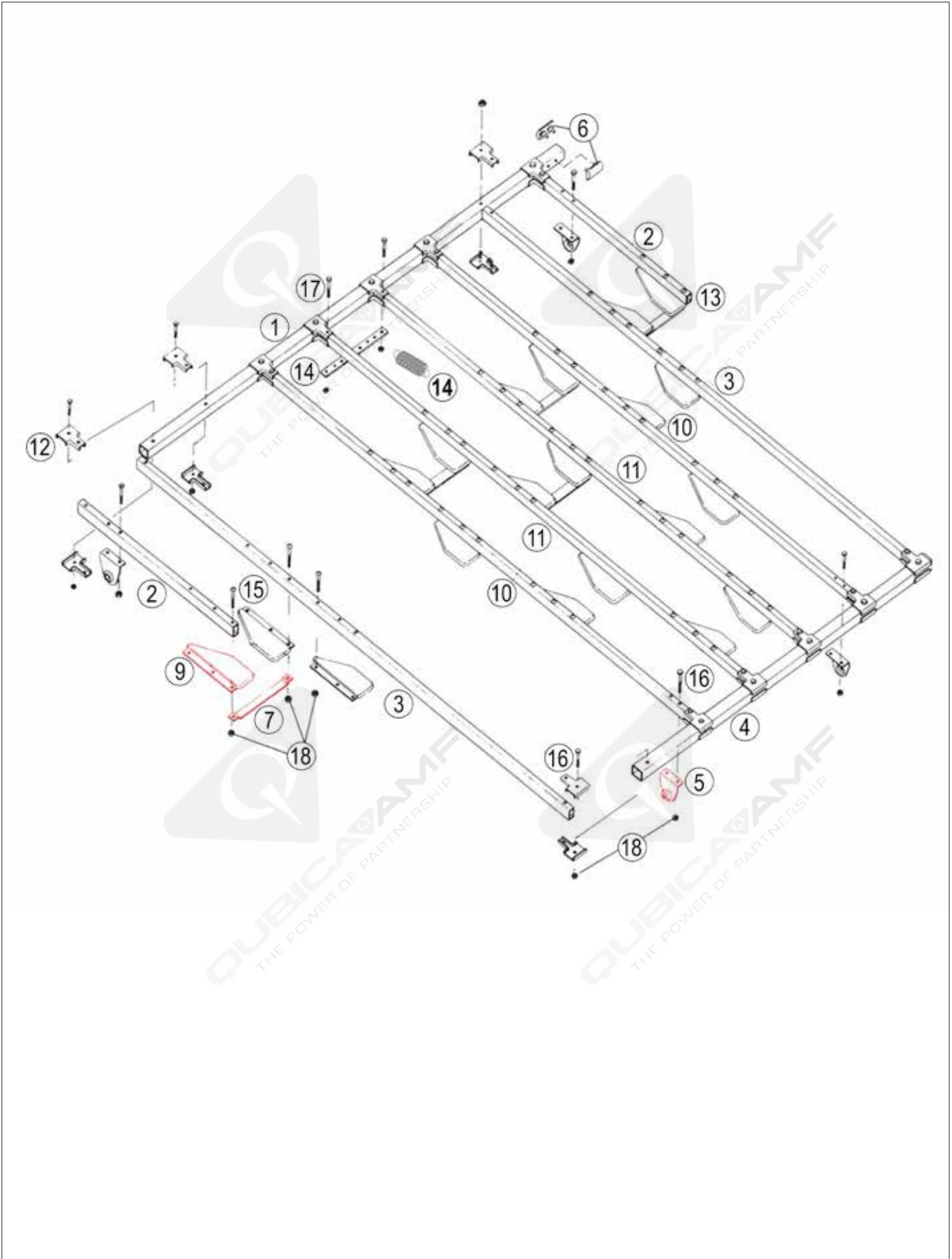


Features:

- Encapsulated inserts
- Soft rubber
- Max deflection-good absorption
- Extends life of runners and pin butts
- Nut is inside which prevents it from breaking off

Product Code **070006354BG**

SHUTTLE ASSEMBLY



SHUTTLE ASSEMBLY

ITEM	PART NUMBER	DESCRIPTION
1	070 006 253	Tube Cross Long
2	070 006 254	Tube Shuttle Short
3	070 006 256	Tube-Outside-Bin
4	070 006 258	Cross Tube Short Shuttle Asm.
5	070 006 259	Brkt-Arm-Shuttle Assembly
6	070 006 260	Bumper-Counter-Bin
7	070 006 268	Strap Shuttle
8	070 006 447	Spring-Shuttle Assembly
9	088 001 211	Pin Holder

ITEM	PART NUMBER	DESCRIPTION
10	088 500 155	Tube Long Shuttle Asm.
11	088 500 157	Tube Shuttle Center
12	088 500 161	Clamp, End, Shuttle Asm.
13	088 500 162	90 XLi Shuttle Asm Metric
14	088 500 166	Strap Spring Bin
15	808 549 240BG	Screw-Sobt 1/4-20 X 1 1/2 (Bag 10)
16	809 849 245BG	Screw-Hex 1/4-20 X 1 1/2 (Bag 10)
17	809 849 285BG	Screw-Hex 1/4-20 X 1 3/4 (Bag 10)
18	844 049 002BG	1/4-20 Lock Nut (Bag 10)

SPECIAL TOOLS - SHUTTLE

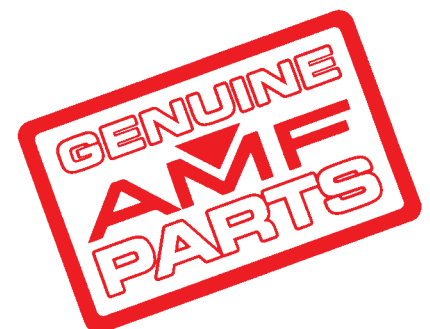
070006519	Pinspotter Gauge
792505005	Spring Puller

SUPER SLICK PIN HOLDER

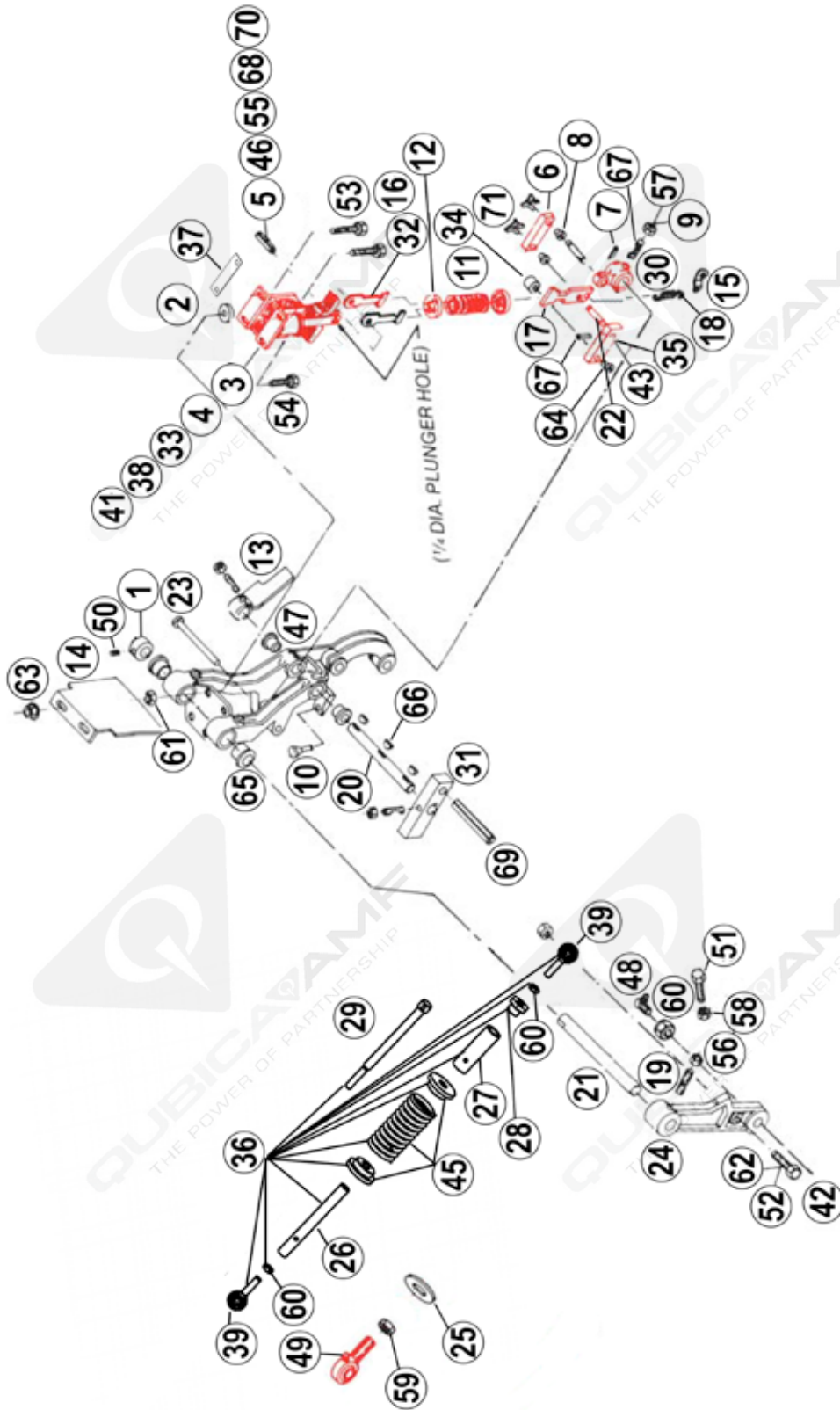
Features:

- Made of new material
- Will not stick to the pin like urethane
- Exceptional long wear

Product Code 088001211



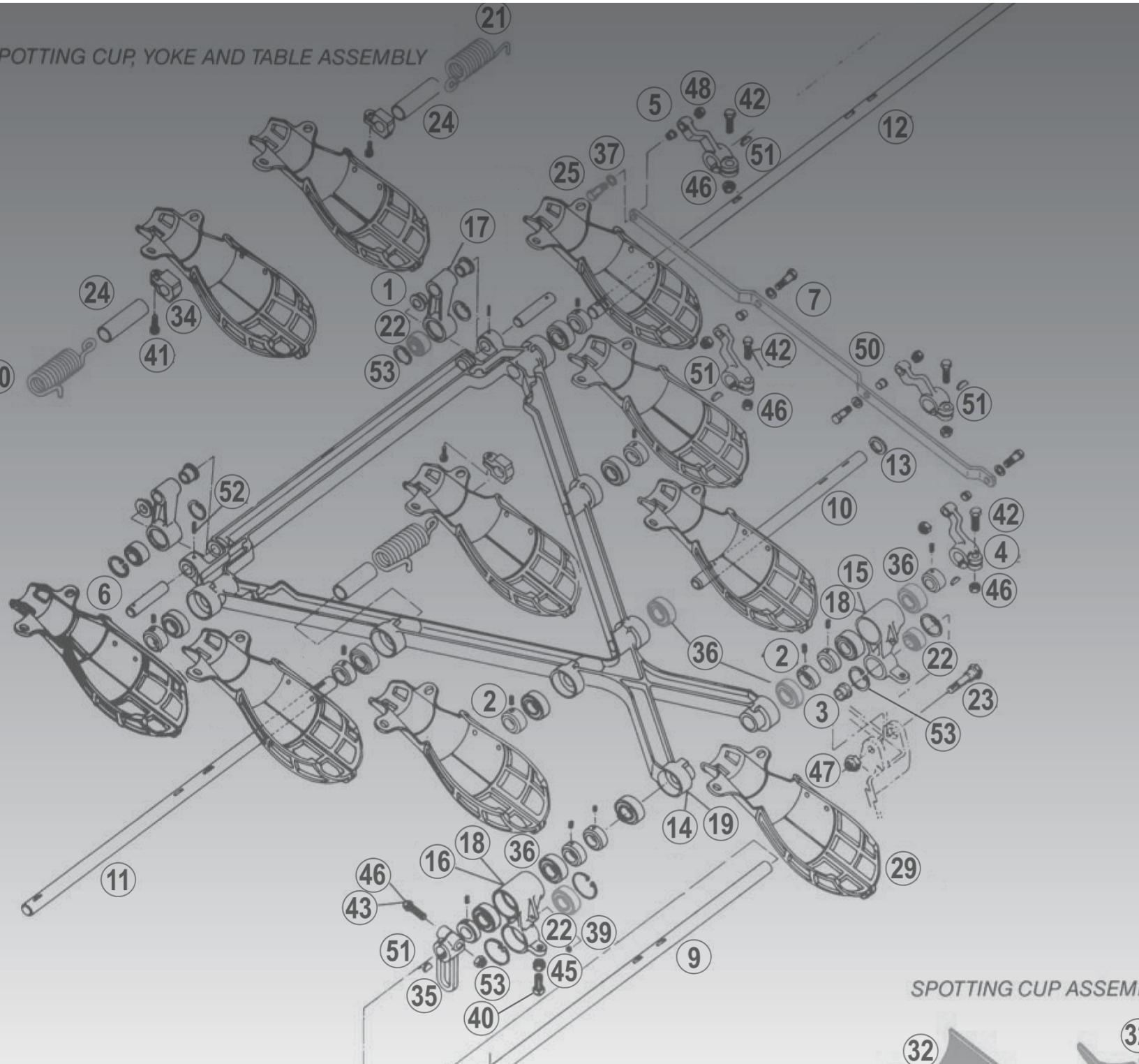
SHUTTLE OPERATOR & SOLENOID ASSEMBLY



SHUTTLE OPERATOR & SOLENOID ASSEMBLY

ITEM	PART NUMBER	DESCRIPTION
1	000 021 423	Collar 5/8X1 1/8 X 1/2
2	000 021 442BG	Washer-Rubber (Bag 10)
3	000 026 027	Solenoid 60 Hz .156
4	000 027 873	Solenoid 50 Hz .156
5	000 028 391	Screw-Shoulder
6	070 001 774	Link Assembly
7	070 001 777	Pin
8	070 002 653BG	Brq Fl.252X.315X.38 (Bag 20)
9	070 006 116	Stud-Clamp
10	070 006 142BG	Bumper (Bag 10)
11	070 006 276	Spring
12	070 006 277	Washer
13	070 006 278	Lever-Cam
14	070 006 279	Guard-Solenoid
15	070 006 280	Clip-Spring-Shuttle Dr
16	070 006 281	Link-Sprng .156 Hole
17	070 006 282	Link
18	070 006 283	Spring
19	070 006 284	Stud-Clamp-Shuttle Dr
20	070 006 285	Shaft-Shuttle-Drive
21	070 006 286	Shaft
22	070 006 287	Pin Long
23	070 006 289	Shaft-Shuttle Drive
24	070 006 295	Lever-Shuttle
25	070 006 296BG	Wshr-Spring-Shuttle (Bag 10)
26	070 006 297	Tube-Long
27	070 006 299	Tube-Short
28	070 006 302	Plug-Shuttle Rod
29	070 006 304	Rod-Shuttle
30	070 006 307	Link Assembly - Shuttle Dr
31	070 006 484	Stop Lever Assy
32	070 006 724	Link-Sprng .250 Hole
33	070 006 726	Solenoid 60 Hz .250
34	070 008 133BG	Spacer-Link Assy (Bag 2)
35	070 008 135	Link Assembly
36	088 001 631	Shuttle Rod Assy Large Spring

ITEM	PART NUMBER	DESCRIPTION
37	090 003 459	Dampener Base
38	090 003 739	Adapter Cable for Item 41
39	090 005 256	Rod End, Distributor Support
40	090 005 263	Shuttle Rod Assy
41	610 090 016	Solenoid Kit
42	610 704 002	Cam Follower Assembly
43	610 704 015	Kit-Link Assy
44	610 704 120	Conv Kit Dbl-Sgl Sol (Not Pictured)
45	612 088 226	Shuttle Connecting Rod Spring Kit
46	700 107 170	Adhsve-Lkte 609
47	701 416 058	Bearing Fl.502X .627 X .875
48	710 501 012	Fittng-Alrnte*1911B
49	710 502 010	Rod-End-Distributor Support
50	807 357 040BG	Screw, SISO 5/16-18 x 1/4 (Bag 10)
51	809 865 165BG	Screw, Hex, 3/8-16 x 1 (Bag 10)
52	809 865 205BG	Screw, Hex, 3/8-16 x 1-1/4 (Bag 10)
53	813 933 162BG	Screw, #8-32 x 1 - OBS
54	814 333 122BG	Screw, Hex, #8-32 x 3/4 (Bag 10)
55	834 527 002BG	Nut, Hex, #6-32 Ct (Bag 10)
56	834 557 002BG	Nut, Hex, 5/16-18 (Bag 10)
57	835 549 002BG	1/4-20 Jam Nut (Bag 10)
58	835 565 002	3/8 X 16 Hex Nut - Thin
59	835 566 002	3/8-24 Hex Sll Thin Nut
60	835 570 002BG	Nut, Hex, Jam, 7/16-20 Hyr (Bag 10)
61	839 533 002BG	8-32 Lock Nut
62	840 065 002BG	Nut, Flex, Tn, 3/8-16 (Bag 10)
63	843 133 002BG	Nut, Kep, 8-32 (Bag 10)
64	900 204 121BG	Bearing Fl .25 x .378 x .750lg (Bag 5)
65	900 210 161BG	Bearing Fl .628 x 1 (Bag 5)
66	907 000 200BG	Key-Hy Pro* 404 (Bag 10)
67	913 415 100BG	Pin-Spring .094 x 5/8 (Bag 10)
68	913 448 120BG	Pin-Spring .250 x 3/4 (Bag 10)
69	913 464 400BG	Pin-Spring .375 x 2-1/2 (Bag 10)
70	957 000 002	#6 Ext Star Lockwasher
71	963 200 002BG	Washer, X, 1/8, 9000-8 (Bag 10)



QUBICA  **AMF**

**FRONT END
TABLE**



TABLE ASSEMBLY

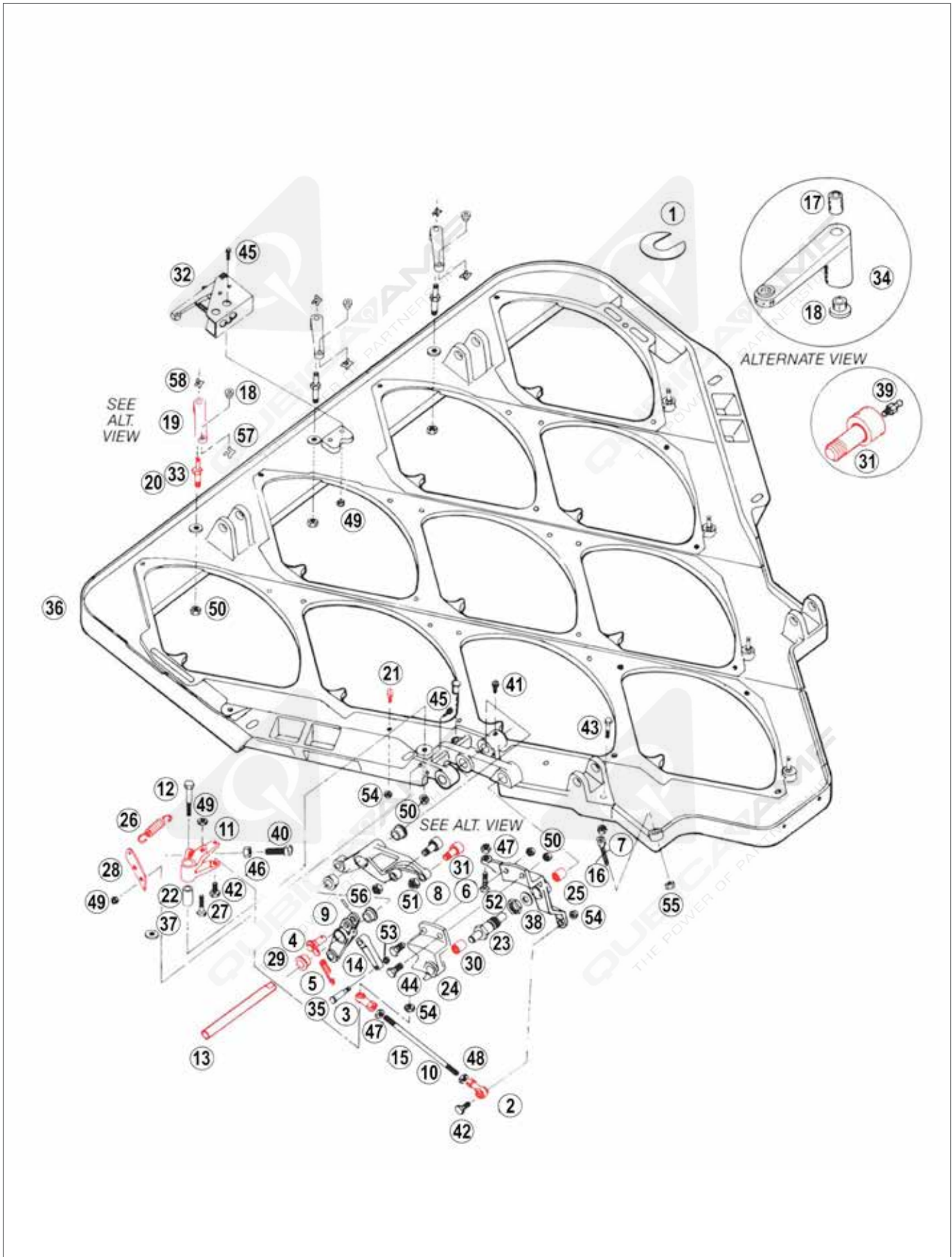


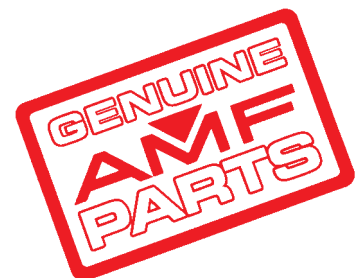
TABLE ASSEMBLY

ITEM	PART NUMBER	DESCRIPTION
1	000 021 784	Washer Slotted
2	000 022 737	Rod End LH
3	000 022 738	Rod End RH
4	070 001 804	Pivot Weld Respot
5	070 001 807	Spring Respot Finger
6	070 001 871	Screw-Hex Hd Cam Link
7	070 002 577	Stud Spring Yoke Asy
8	070 002 578	Lever Asy Spot
9	070 002 579	Lever Asy Finger
10	070 002 581	Tie Rod
11	070 002 583	Link Asy Actuating
12	070 002 584	Pin Bell Crank
13	070 002 585	Shaft Lever Tbl Asy
14	070 002 590	Finger Link
15	070 002 594	Tie Rod Asy
16	070 002 596	Spring (Not Shown)
17	070 002 652BG	Bearing Sl .252 X .315 X .5Lg (Bag 20)
18	070 002 653BG	Bearing Fl .252 X .315 X .38 (Bag 20)
19	070 002 680	Lever Respot Asy
20	070 002 681BG	Pin Rspt Lever Pivot (Bag 10)
21	070 002 702	Stop Respot
22	070 002 715	Bearing Sl .502 X .689 X 1.5
23	070 002 726	Shaft Tbl Asy
24	070 002 727	Link & Bearing Asy
25	070 002 728	Cam Link Bearing Asy
26	070 002 732BG	Spring (Bag 2)
27	070 002 733	Screw Cam Link Table
28	070 002 734	Brkt Spring Cam Link
29	070 002 745BG	Bearing Fl .626 X .814 X 1/2
30	070 002 781	Bearing Needle

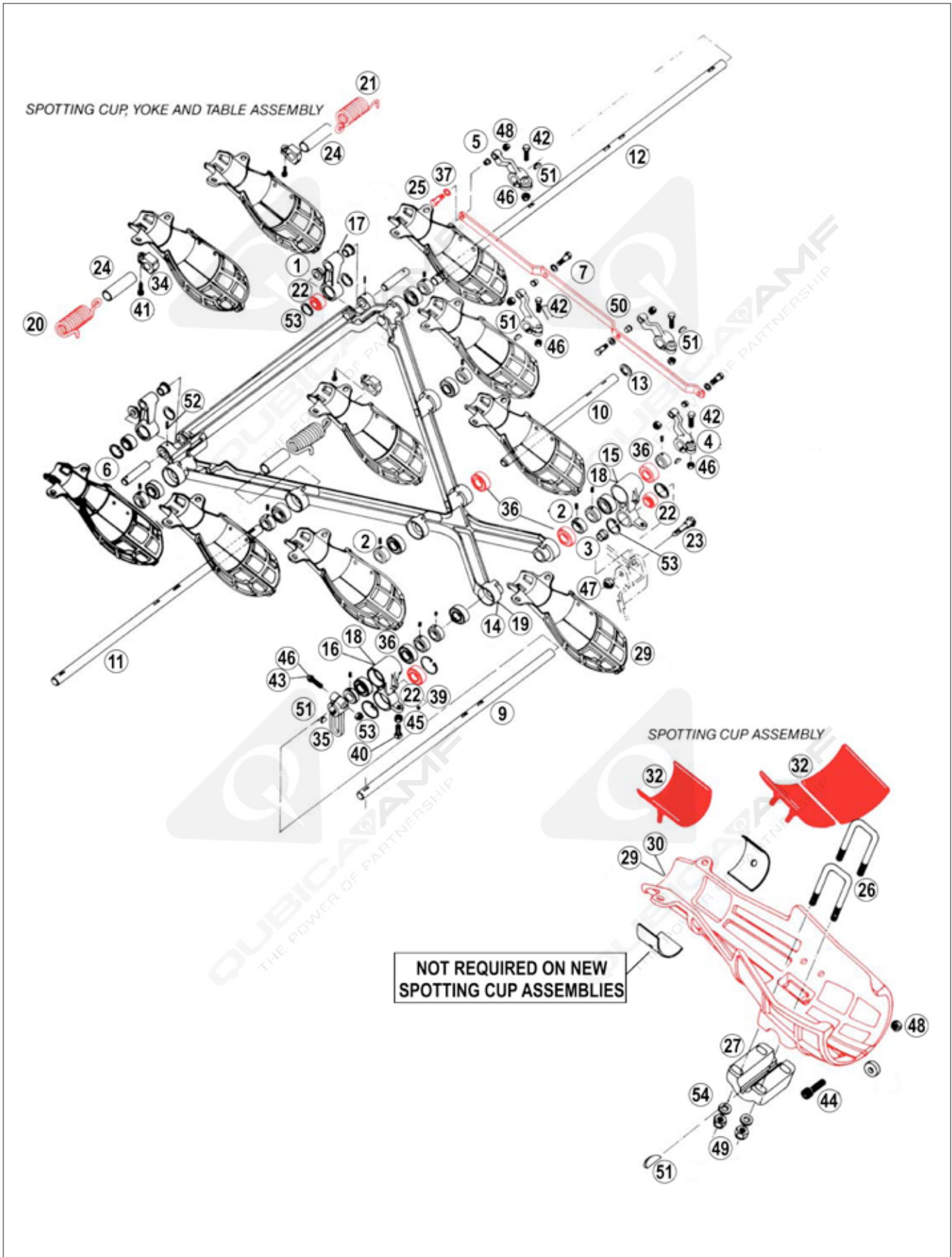
ITEM	PART NUMBER	DESCRIPTION
31	070 002 816	Cam Follower
32	070 006 697	Switch Assy Table
33	070 007 616BG	Pin-Pivot 5/16 Dia (Bag 10)
34	070 007 622	Lever Respot Asy
35	090 005 629	Pin
37	701 316 041BG	Brg Th.5100X 1 X1/16 Bag(10)
38	701 320 046	Bearing Th .628 X 1 X 1/16
39	710 501 009	Fitting
40	806 749 160BG	Scr Sqhd Set1/4-20X1
41	807 357 060BG	Screw Stso 5/16-18 X 3 (Bag 10)
42	809 849 165BG	Screw-Hex 1/4-20 X 1 (Bag 10)
43	809 865 125BG	Screw-Hex 3/8-16 X 3/4 (Bag 10)
44	809 865 205BG	Screw Hex 3/8-16X1 1/4 (Bag 10)
45	810 239 120BG	Screw-Soc 10-24 X 3/4 (Bag 10)
46	835 549 002BG	1/4-20 Jam Nut (Bag 10)
47	835 550 002BG	Nut Hex Jam 1/4-28 (Bag 10)
48	835 650 002BG	Nut Hex Jam 1/4-25 LH (Bag 10)
49	839 539 002BG	Nut-Flx-Tk (Bag 10)
50	839 665 002BG	Nut-Flx 3/8-16 (Bag 10)
51	840 066 002BG	Nut-Flx-Tn 3/8-24 (Bag 10)
52	840 600 002BG	Nut Flx Link 7/8 X 14 (Bag 10)
53	843 140 002BG	Nut-Kep 10-32 Wash (Bag 10)
54	844 049 002BG	1/4-20 Lock Nut (Bag 10)
55	844 057 002BG	5/16-18 Stover Locknut (Bag 10)
56	913 423 160BG	Pin Spring .125 X 1 (Bag 10)
57	963 200 002BG	Washer-X 1/8 (Bag 10)
58	963 400 002BG	Washer-X 3/16 (Bag 10)

SPECIAL TOOLS - TABLE

030 003 943	Motor Crank
070 006 519	Rs/Cup/Spot Height Gauge
070 006 587	Table Flag Locating Tool
088 001 216	Frame/Sweep/Dist Gauge
088 001 217	Yoke Toe Gauge
792 020 044	Combination Square
792 505 005	Spring Puller



YOKE & SPOTTING CUP ASSEMBLY



YOKE & SPOTTING CUP ASSEMBLY

ITEM	PART NUMBER	DESCRIPTION
1	000 023 114BG	Brg Fl .628 X .8155 X .06 (Bag 10)
2	000 025 549	Collar 7/8 X 1 1/2 X 9/16
3	070 002 573	Spacer Leg Yoke
4	070 002 602	Lever Inner Yoke
5	070 002 603	Lever Outer Yoke
6	070 002 609	Pin Lever Rear Yoke
7	070 002 612	Tie Link Asm
9	070 002 615	Shaft-1 Yoke Assembly
10	070 002 616	Shaft-2 Yoke Assembly
11	070 002 617	Shaft-3 Yoke Assembly
12	070 002 618	Shaft-4 Yoke Assembly
13	070 002 620	Spacer Yoke Assembly
14	070 002 623	Yoke & Bearing Assy
15	070 002 663	Leg Assembly-Front RH
16	070 002 664	Leg Assembly-Front LH
17	070 002 665	Leg Assembly-Rear With Bushings
18	070 002 667	Leg-Front-Table
19	070 002 683	Yoke
20	070 002 688	Spring RH (10 Side)
21	070 002 689	Spring LH (7 Side)
22	070 002 698	Bearing Sr .625 X 1.562 X 7/8
23	070 002 701	Pin Yoke Legs
24	070 002 719	Sleeve-Spring-Yoke
25	070 002 723BG	Pin Actuator Shaft (Bag 10)
26	070 002 787BG	Blt-U-Spotting Cup (Bag 2)
27	070 002 788	Cap-Spotting Cup
29	070 002 808	Spotting Cup Assembly

ITEM	PART NUMBER	DESCRIPTION
30	070 002 809	Spotting Cup
31	090 002 024	Liner-Black
34	090 004 033	Spring Retainer
35	090 005 554	Actuator Arm
36	190 001 490	Bearing Bl .8750 X 1.875 X .5
37	701 310 036BG	Bearing Th .315 X .75 X 1/16 (Bag 10)
39	724 517 107	Ring-Comp-Tinn .315
40	806 265 240BG	Screw-Stsq 3/8-16 X 1 1/2 (Bag 10)
41	809 849 165BG	Screw-Hex 1/4-20 X 1 (Bag 10)
42	809 865 245BG	Screw-Hex 3/8-16 X 1 1/2 (Bag 10)
43	809 865 365BG	3/8-16 X 2-1/4 Hex Head Screw (Bag 10)
44	810 249 200BG	Screw-Soc 1/4-20 X 1 1/4 (Bag 10)
45	835 565 002	3/8 X 16 Hex Nut - Thin
46	839 665 002BG	Nut-Flx 3/8-16 (Bag 10)
47	840 381 002BG	Nut-Flx-Tk 5/8-11 (Bag 10)
48	844 049 002BG	1/4-20 Lock Nut (Bag 10)
49	844 057 002BG	5/16-18 Stover Locknut (Bag 10)
50	900 205 053BG	Bearing Fl .315 X .44 X 5/16 (Bag 10)
51	907 000 600BG	Key-Hy Pro 706 (Bag 10)
52	913 437 240BG	Pin-Sprng .187 X 1 1/2 (Bag 10)
53	919 000 700BG	Retaining Ring (Bag 10)
54	948 761 112BG	5/16 Wrought Washer (Bag 10)

PIN FORK



- The “can’t live without” tool for respotting pins and clearing deadwood from the back.
- Always drop the sweep and turn off the machine before handing pins on the deck.

Product Code **B158100**

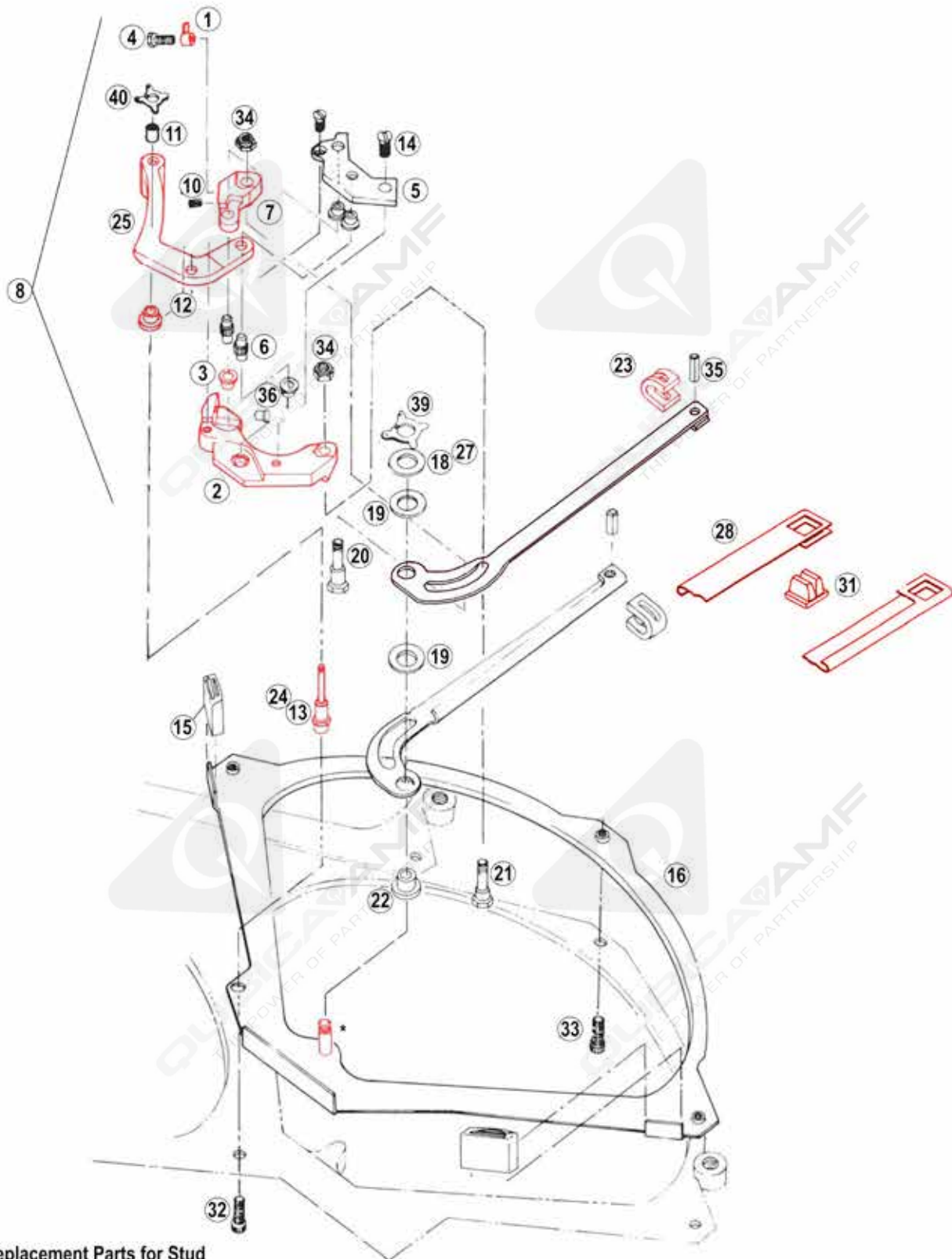
YOKE REPAIR KIT



- Quick, temporary repair of broken yoke assembly
- Requires drilling

Product Code **610704011**

RESPOT CELL ASSEMBLY 1-6; 8-10



*Replacement Parts for Stud
070 002 650 Stud
840 049 002 Nut

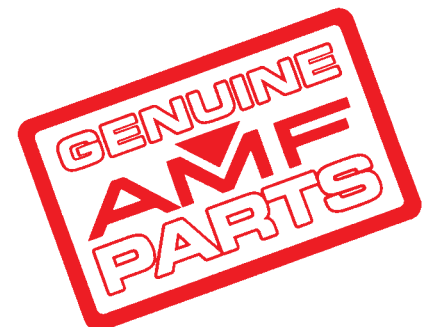
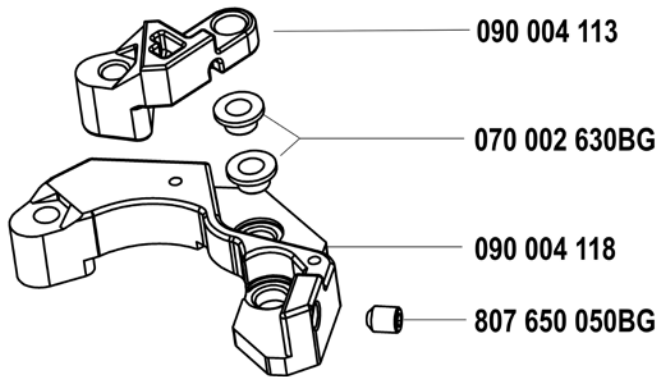
070 007 200 RESPOT CELL ASSEMBLY

CELL ASSEMBLY - RESPOT

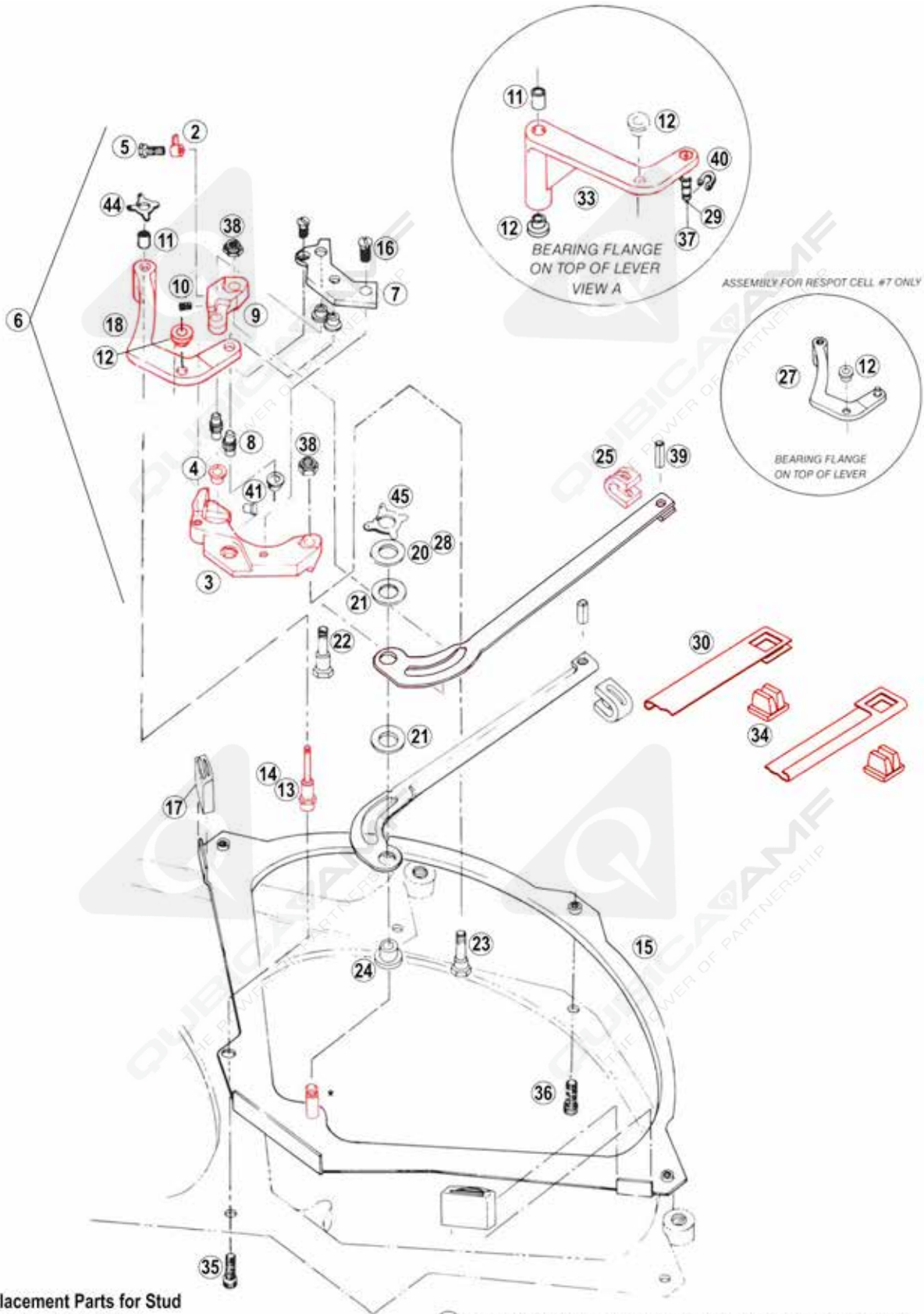
ITEM	PART NUMBER	DESCRIPTION
1	070 002 570BG	Insert Yoke Arm (Bag 5)
2	070 002 629	Yoke Respot Asm
3	070 002 630BG	Bearing Fl .252 X .315 X .218 (Bag 20)
4	070 002 632BG	Scr-Adj-Respot Cell (Bag 10)
5	070 002 644	Plate Yoke Assembly
6	070 002 645	Shaft-Lever Assy-Respot
7	070 002 646	Arm Respot Yoke Assembly
8	070 002 647	Yoke Respot Assembly
10	070 002 649BG	Spring (Bag 10)
11	070 002 652BG	Sleeve Bushing (Bag 10)
12	070 002 653BG	Bearing Fl .252 X .315 X .38 (Bag 20)
13	070 002 654BG	Pivot Shaft 1/4 (Bag 10)
14	070 002 750BG	Screw-Fl Hd-Respot & Yoke (Bag 10)
15	070 002 752BG	Bumper Extrusion (Bag 2)
16	070 002 792	Frame Respot Weld
18	070 007 192BG	Washer-Respot Cell Assembly (Bag 10)
19	070 007 193BG	Spacer-Respot Cell (Bag 5)
20	070 007 194BG	Stud-Long-Respot Cell (Bag 5)
21	070 007 195BG	Stud-Short-Respot Cell (Bag 5)

ITEM	PART NUMBER	DESCRIPTION
22	070 007 196BG	Bearing Fl .252 X .485 X .560 (Bag 10)
23	070 007 197BG	Insert-Respot-Plastic/Round Hole (Bag10)
24	070 007 617BG	Stud-Pivot 5/16 (Bag 10)
25	070 007 618	Lever Respot Assembly 9 Cell
26	070 007 620	Lever Assembly #7 Cell Only
27	070 007 651BG	Nylon Washer - Top (Bag 10)
28	090 004 123	Respot Finger With Insert
29	090 004 123	Respot Finger Assembly
30	610 704 001	Respot Cell Fgr Kit (Not Shown)
31	792 506 033	Insert-Respot/ Square Hole
32	808 640 121BG	Screw Soc Lk 10-32 X 3/4 (Bag 10)
33	808 640 141BG	Screw-Soc Lk 10-32 X 7/8 (Bag 10)
34	844 049 002BG	1/4-20 Lock Nut (Bag 10)
35	913 437 100BG	Pin-Sprng .187 X 5/8 (Bag 10)
36	933 623 050	Rvt-Semi Tublr Stl
39	963 200 002BG	Washer-X 1/8 9000-8 (Bag 10)
40	963 400 002BG	Washer-X 3/16 9000-12 (Bag 10)

If the respot cell wiring is no longer used, then items 2, 7, and 10 may be replaced using lower cost alternatives below:



RESPOT CELL ASSEMBLY NUMBER 7



*Replacement Parts for Stud
070 002 650 Stud
840 049 002 Nut

19 070 006 674 #7 Respot Cell Assembly (Long Wireway Link)
26 070 007 199 #7 Respot Cell Assembly (Short Wireway Link)

RESPOT CELL NUMBER 7 ASSEMBLY

ITEM	PART NUMBER	DESCRIPTION
2	070 002 570BG	Insert Yoke Arm (Bag 5)
3	070 002 629	Yoke Respot Asm
4	070 002 630BG	Bearing Fl .252 X .315 X .218 (Bag 20)
5	070 002 632BG	Scr-Adj-Respot Cell (Bag 10)
6	070 002 642	Yoke Respot Assembly 7
7	070 002 644	Plate Yoke Assembly
8	070 002 645	Shaft-Lever Ay-Respt
9	070 002 646	Arm Res Yoke Assembly
10	070 002 649BG	Spring (Bag 10)
11	070 002 652BG	Bearing Sl .252 X .315 X .5 Lg (Bag 10)
12	070 002 653BG	Bearing Fl .252 X .315 X .38 (Bag 20)
13	070 002 654BG	Pivot Shaft 1/4 (Bag 10)
14	070 002 685BG	Shaft-Pivot 7 Cell 5/16 (Bag 10)
15	070 002 686	Frame Asm 7 Cell
16	070 002 750BG	Screw-FLHd-Respot&Yoke (Bag 10)
17	070 002 752BG	Bumper Extrusion (Bag 2)
18*	070 006 673	Lever Asm #7 Cell Respot Yoke
19	070 006 674	Cell Assembly #7 (New Style)
20	070 007 192BG	Washer-Respot Cell Assembly (Bag 10)
21	070 007 193BG	Spacer - Rubber/Nylon (Bag 10)
22	070 007 194BG	Stud-Long-Respot Cell (Bag 5)
23	070 007 195BG	Stud-Short-Respot Cell (Bag 5)

ITEM	PART NUMBER	DESCRIPTION
24	070 007 196BG	Bearing Fl .252 X .485 X .560 (Bag 5)
25	070 007 197BG	Insert-Respot-Plastic/RoundHole(Bag10)
26	070 007 199	Respot Cell Assembly #7(Old Style)
27	070 007 620	Lever Assy #7 Cell
28	070 007 651BG	Nylon Washer - Top (Bag 10)
29	070 008 154	Pin-Pivot #7 Cell
30	090 004 123	Respot Finger Assembly
31	090 004 123	Respot Finger With Insert
32	610 704 001	Respot Cell Finger Kit
33**	610 704 026	Kit-#7 Respot Lever Assembly
34	792 506 033	Insert-Respot/ Square Hole
35	808 640 121BG	Screw Soc Lk 10-32 X 3/4 (Bag 10)
36	808 640 141BG	Screw-Soc Lk 10-32 X 7/8 (Bag 10)
37	835 558 002BG	Nut-Hex-Jam 5/16-24 (Bag 10)
38	844 049 002BG	1/4-20 Lock Nut (Bag 10)
39	913 437 100BG	Pin-Sprng .187 X 5/8 (Bag 10)
40	919 010 200BG	Ring-Ret. 5133-25 (Bag 10)
41	933 623 050	Rvt-Semi Tublr Stl
44	963 100 002BG	Washer-X 3/32 9000-6 (Bag 10)
45	963 400 002BG	Washer-X 1/8 9000-8 (Bag 10)

* Use with long link #25, page 18.

** Use with early production short link 070 002 767. See page 18.

If the respot cell wiring is no longer used, then items 2, 9, and 10 may be replaced using lower cost alternatives below:

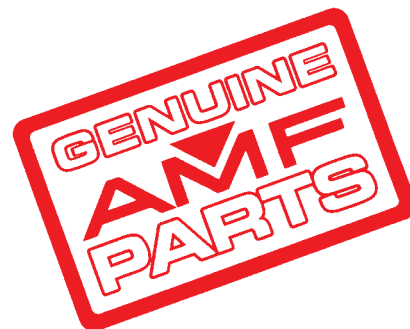
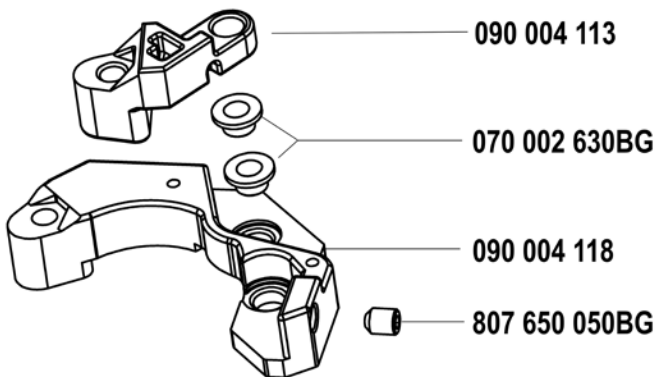


TABLE TORQUE TUBE ASSEMBLY

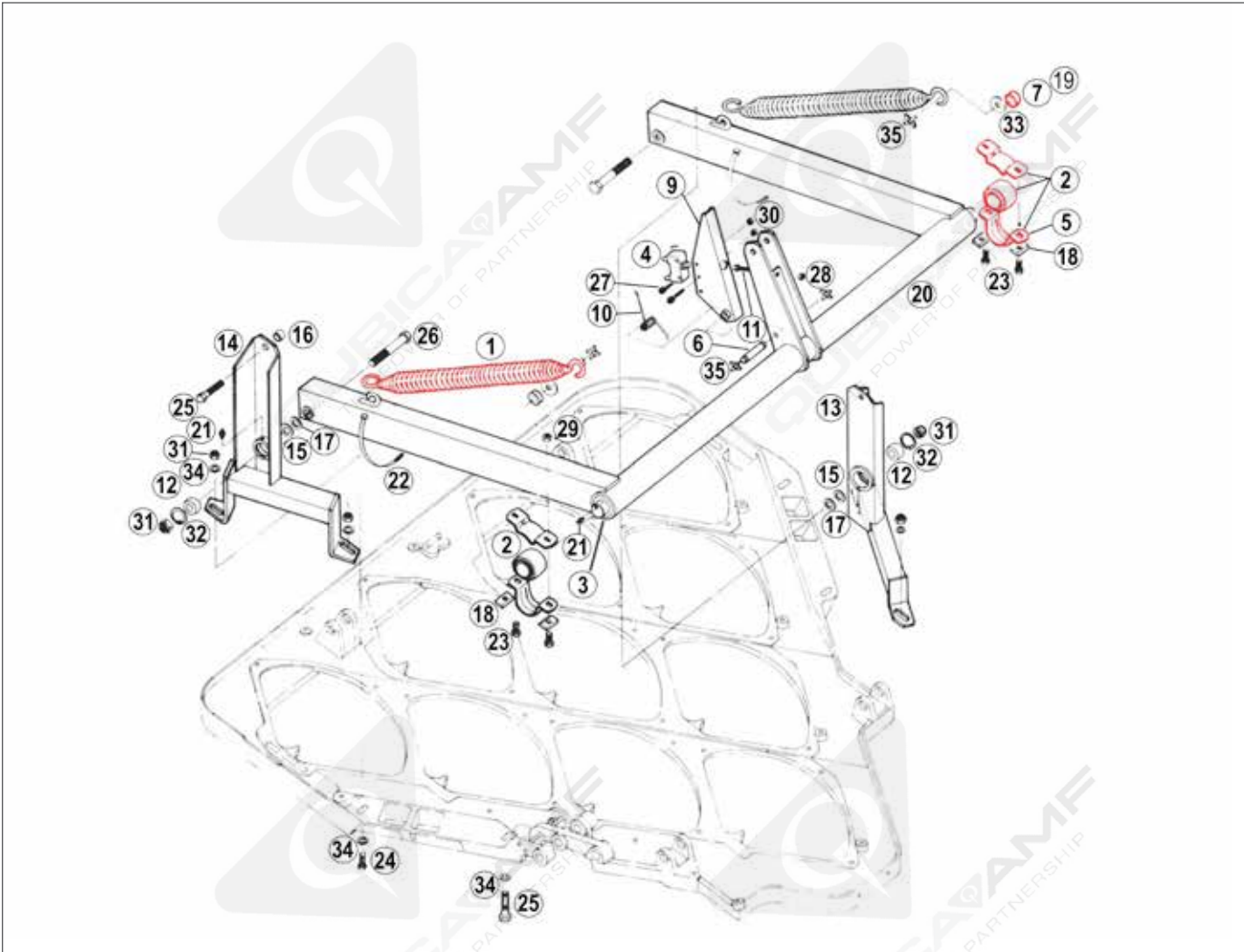
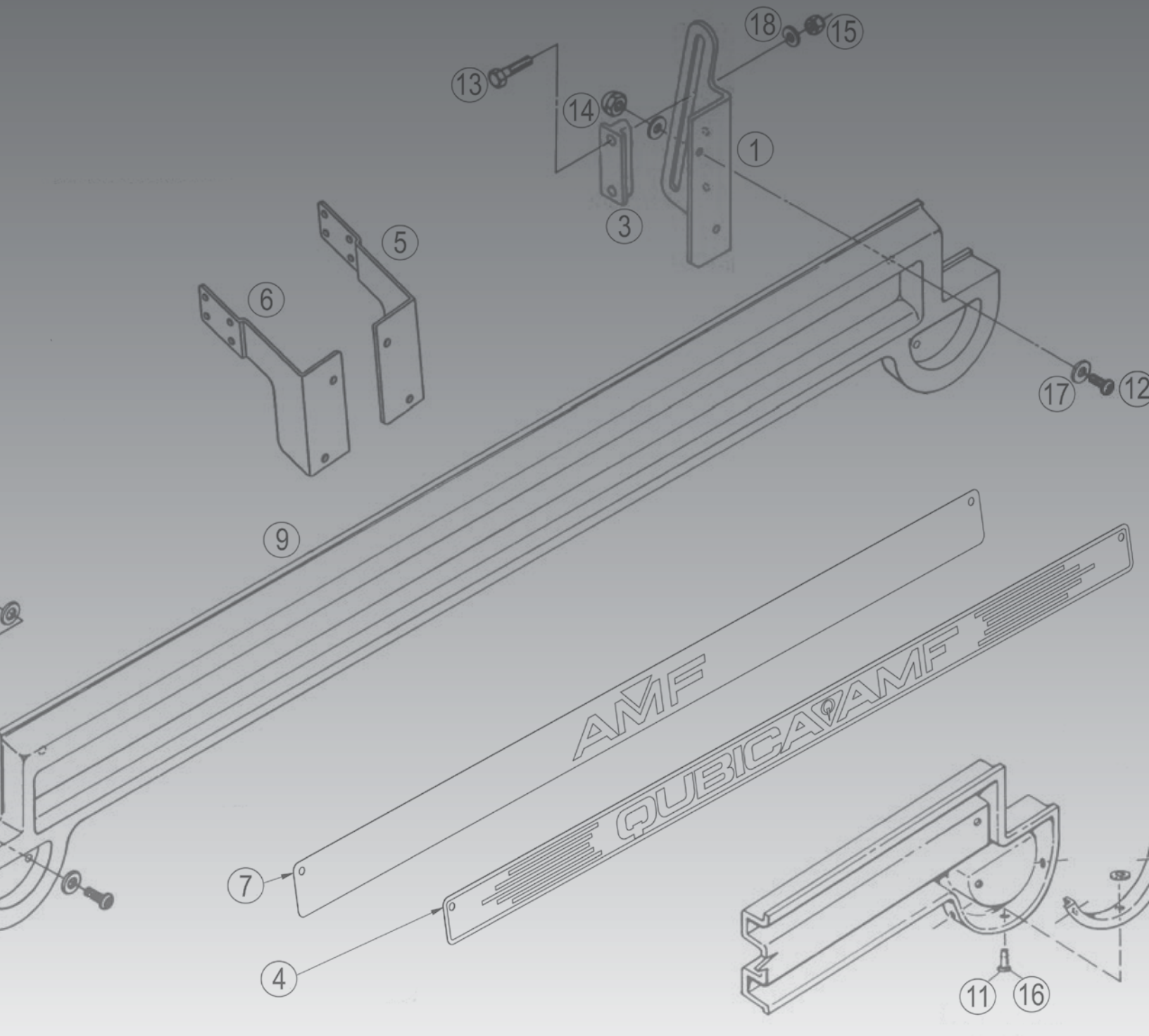


TABLE TORQUE TUBE ASSEMBLY

ITEM	PART NUMBER	DESCRIPTION
1	000 022 782	Spring Counter Balance
2	000 022 811	Pillow Block
3	000 023 646	Shim Yoke
4	000 026 042	Switch-Micro
5	030 003 938	Strap Pillow Block
6	070 001 591	Pin-Hook Spot
7	070 001 668	Roller - Spring - Steel
9	070 001 852	Lever Table Arm
10	070 001 853	Spring
11	070 001 854	Screw-Adjusting
12	070 002 698	Bearing Sr .625 X 1 .562 X 7/8
13	070 007 295	Table Support Assy RH (10 Side)
14	070 007 296	Table Support Assy LH (7 Side)
15	070 007 302	Spacer-Front End
16	070 007 303	Spacer-Front End
17	070 007 752	Spacer
18	070 008 182	Block-Bearing
19	090 003 795	Roller-Plastic
20	610 704 003	Torq Tube Conversion Kit
21	710 501 009	Fittng-Almte*3006
22	770 011 010	Tyrap 14.19 Inch Lg

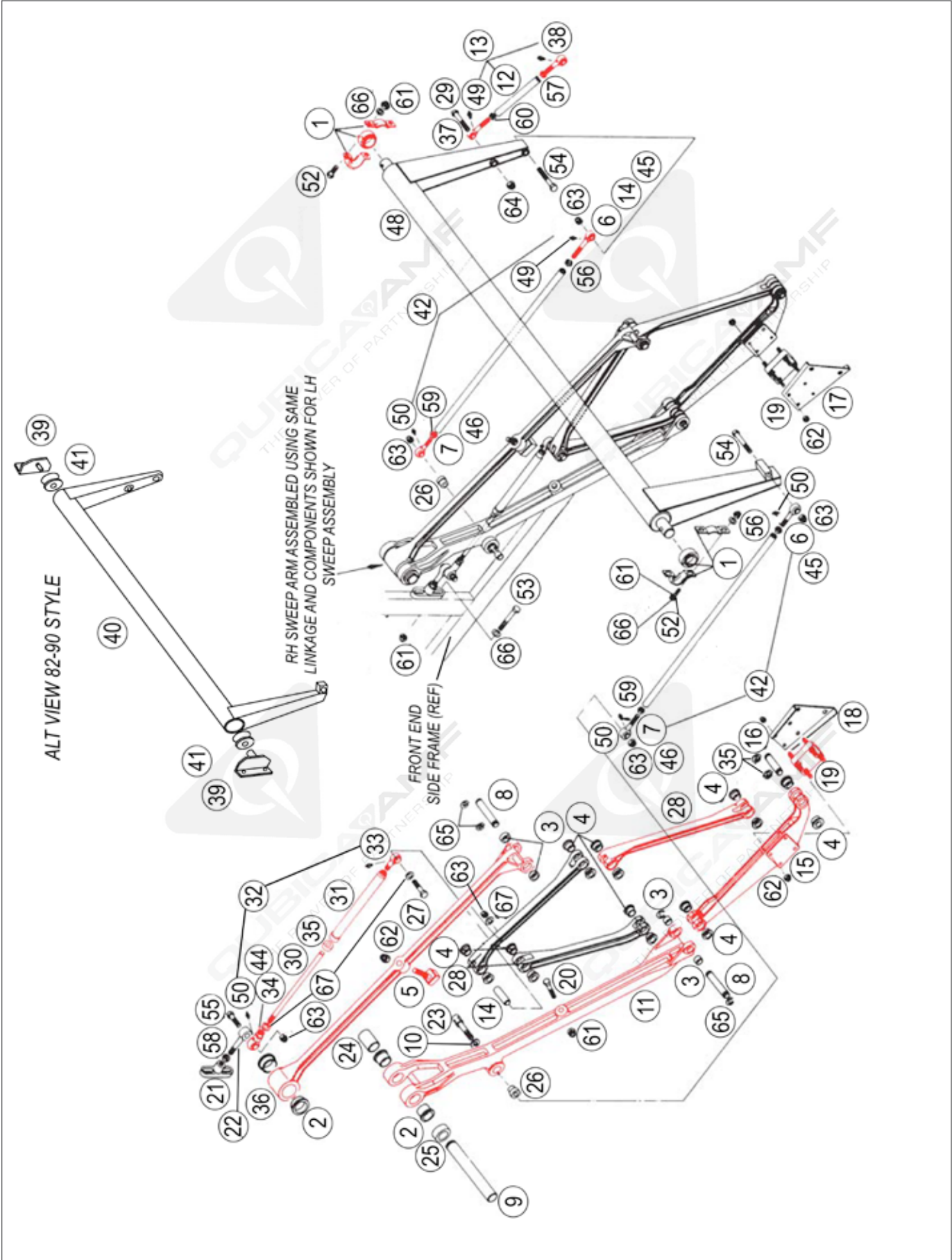
ITEM	PART NUMBER	DESCRIPTION
23	809 865 245BG	Screw-Hex 3/8-16X1 1/2 (Bag 10)
24	809 869 245BG	Screw-Hex 7/16-14X1 1/2 (Bag 10)
25	809 869 325BG	Screw-Hexhdcap7/16-14X2 (Bag 10)
26	809 881 640BG	Screw-Hex Hdcap5/8-11X4 (Bag 10)
27	818 227 202BG	Screw-Smrd 6-32X1 1/4 (Bag 10)
28	839 549 002BG	Nut-Flx-Tk 1/4-20 Ht (Bag 10)
29	840 065 002BG	Nut-Flx-Tn 3/8-16 (Bag 10)
30	843 127 002BG	Nut-Kep 6-32 Wash (Bag 10)
31	844 081 002BG	Nut-Stvr-Lk 5/8-11 (Bag 10)
32	919 000 700BG	Ring - Ret (Bag 10)
33	945 867 242BG	Washer-13/32X1 1/2 (Bag 10)
34	949 100 002BG	Washer-59/64X15/32 (Bag 10)
35	963 400 002BG	Washer-X 3/16 9000-12 (Bag 10)
Not Shown	000 021 784	Pacman Washer/ Slot Washer
	090 004 007	Tube Hanger Bracket (82-90 Style)
	090 005 015	Bearing Torque Tube (82-90 Style)
	610 704 103	Spring Roller Pin Repair Kit
	612 070 012	Counterbalance Spring Eye Repair Kit



QUBICA AMF

**FRONT END
SWEEP**





SWEEP ASSEMBLY

ITEM	PART NUMBER	DESCRIPTION
1	000 022 811	Pillow Block
2	000 023 104	Bearing Fl 1.25 X 1.5 X .953
3	000 023 105BG	Bearing-Slv .628 X .815 X .396 (Bag 10)
4	000 023 114BG	Big Fl.628X.815X.06 (Bag 10)
5	000 023 279	Bumper-Urethane
6	000 025 004	End Fitting RH
7	000 025 005	End Fitting LH
8	070 003 103	Pin-Bearing Sweep Link
9	070 003 106	Shaft Main Pivot
10	070 003 117	Spacer Drive Link
11	070 003 158	Link-Drive Assembly-Sweep
12	070 003 159	Tube-Motor Rod
13	070 003 162	Connect Rod Assembly Mtr
14	070 003 173	Bearing Sl .438 X .624 X 2 "Lg"
15	070 003 184	Support Link Assembly Swp
16	070 003 189	Pin Bearing Sweep Link
17	070 003 190	Bkt-Shock RH-Sweep (10 Side)
18	070 003 191	Bkt-Shock LH-Sweep (7 Side)
19	070 003 195	Shock Mount
20	070 003 221	Screw-Sweep Link Assembly
21	070 003 222	Bkt-Shock Mounting
22	070 003 223	Link-Threaded-Sweep
23	070 003 231	Pin Bearing
24	070 003 232	Spacer Main Pivot Long
25	070 003 233	Spacer Sweep Link LH
26	070 003 234BG	Bearing Fl .437 X .75 X .62 Lg (Bag 10)
27	070 003 235	Screw Sweep Lk 7/16-14
28	070 003 242	Sweep Link Cast
29	070 003 245	Screw Rock Arm Sweep Lk
30	070 007 276	Rod Link Assembly
31	070 007 278	Tube Weld Link Assy
32	070 007 280	Sweep Link Assembly Teles
33	070 007 281	Rod End Link Assembly

ITEM	PART NUMBER	DESCRIPTION
34	070 007 282	Rod End Link Assembly
35	070 007 283	Bumper Link Assembly
36	088 000 093	Sweep Link Stabilizer
37	088 001 351	End Fitting - LH
38	088 001 352	End Fitting - RH
39	090 004 007	Tube Hanger Bracket (82-90 Style)
40	090 004 010	Sweep Rocker Arm
41	090 005 015	Bearing Torque Tube (82-90 Style)
42	090 005 254	Dr Link Conn Rod Assy
44	090 005 257	Rod End Male
45	090 005 264	End Fitting - RH
46	090 005 265	End Fitting LH
N/S	090 006 136	Shock Mount- 90/8800
48	610 700 156	82/70 Sweep Rocker Arm Replacement Kit
49	710 501 013	Grease Fitting
50	710 501 013	Grease Fitting
N/S	804 557 731	U-Bolt 5/16-18 X 4.440
52	809 865 285	Screw-Hex 3/8-16 X 1-3/4
53	809 865 565BG	Screw-Hex 7/16-14 X 2-1/2 (Bag 10)
54	809 869 365BG	Screw-Hex 7/16-14 X 2-1/4 (Bag 10)
55	809 869 405BG	Screw-Hex 7/16-14 X 2-1/2 (Bag 10)
56	835 570 002BG	Nut-Hex-Jam 7/16-20Hy (Bag 10)
57	835 574 002BG	Nut-Hex-Jam 1/2-20 Cd (Bag 10)
58	835 582 002	5/8-18 Unrf Hex Thin Nut- Pltd
59	835 670 002BG	Nut-Hex-Jam 7/16-20LH (Bag 10)
60	835 674 002BG	Nut-Hex-Jam 1/2-20 LH (Bag 10)
61	839 665 002BG	Nut-Fix 3/8-16 (Bag 10)
62	844 057 002BG	5/16-18 Stover Locknut (Bag 10)
63	844 069 002BG	Nut-Svr-Lk 7/16-14 (Bag 10)
64	844 073 002BG	1/2-13 Stover Locknut (Bag 10)
65	919 010 700BG	Ring-Ret. 5133-62 (Bag 10)
66	948 761 112BG	5/16 Wrought Washer (Bag 10)
67	949 100 002BG	Washer-59/64 X 15/32 (Bag 10)

SWEEP ASSEMBLY – CONTINUED

SWEEP BAR FOR 2 MACHINES



Features:

- Single piece construction, virtually unbreakable
- Lighter than old multi-piece type sweep

Product Code **610700150**

SWEEP BRACKET RH & LH



Features:

- 10 gauge steel/metal
- Redesigned cross section to 1/4" wide
- Optimizes weight to strength
- Minimizes stress on bushings, shock mounts and motor load

Product Code **000023170 & 000023171**

NEW! SWEEP BAR KIT 90 - STYLE



Replaces slide bars and tube-style sweep all at once.

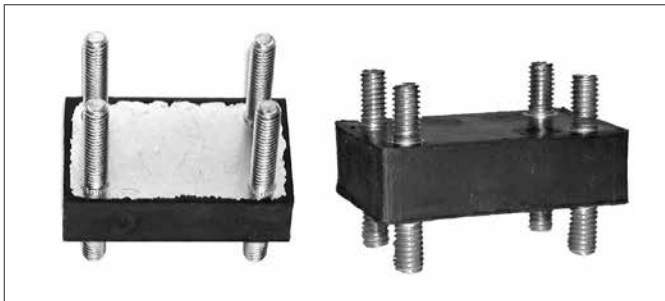
Product Code **610703060**

SLIDE - FREE SWEEP BRACKET



Product Code **090001170 & 090001171**

SWEEP SHOCK MOUNT

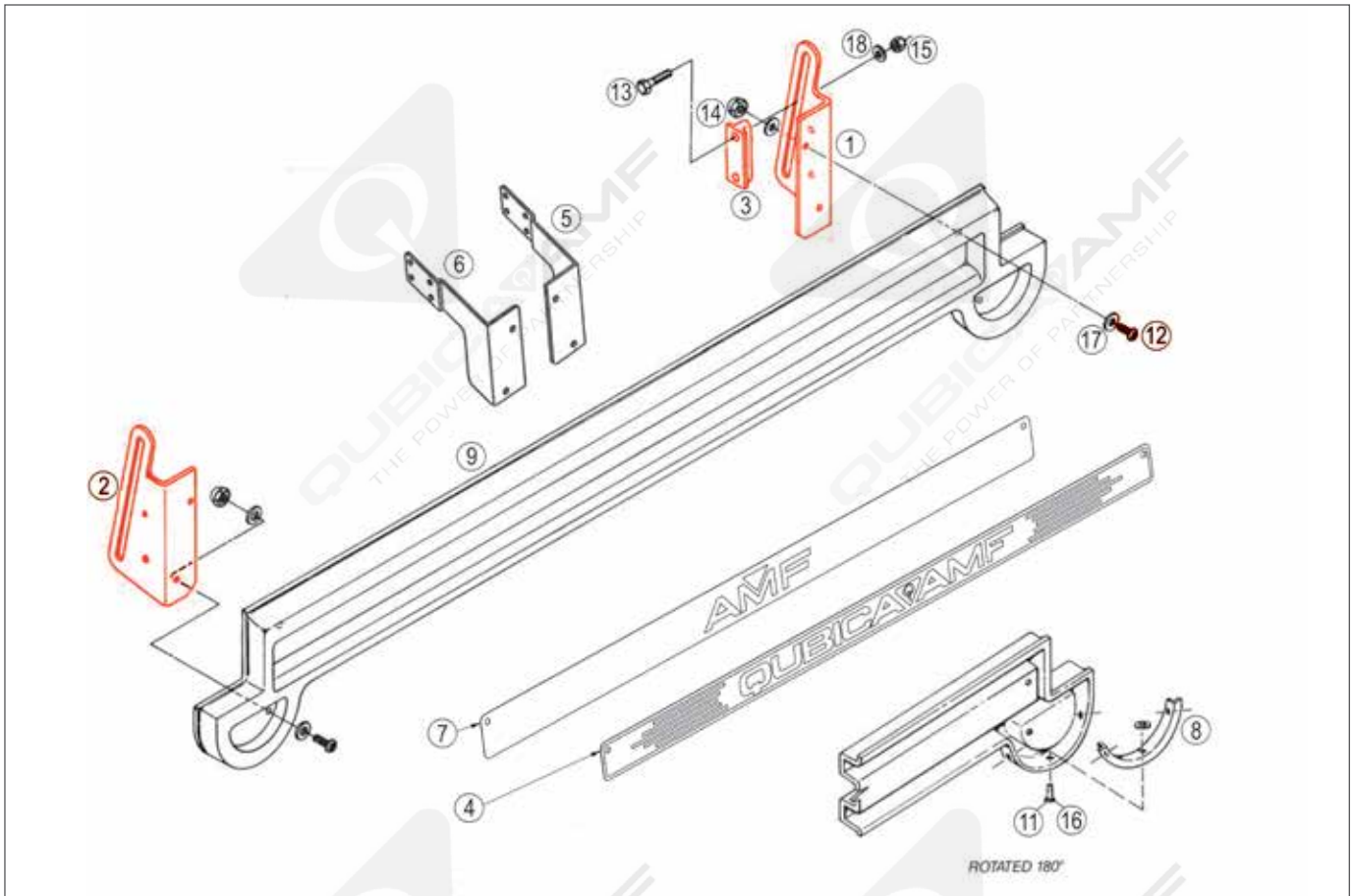


Features:

- New design prevents stud spin-out
- Flexible enough to prevent damage to the sweep links
- Rubber is inside the plate

Product Code **070003195 & 090006136**

SWEEP BAR MOUNTING ASSEMBLY



SWEEP BAR MOUNTING ASSEMBLY

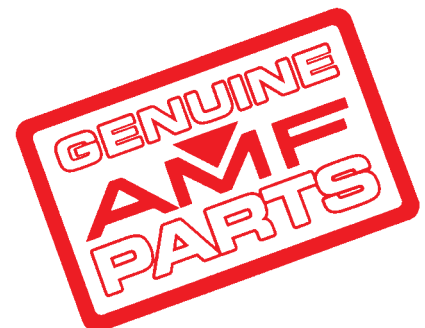
ITEM	PART NUMBER	DESCRIPTION
1	000 023 170	Steel Sweep Mtg Bracket RH (10 Side)
2	000 023 171	Steel Sweep Mtg Brkt LH (7 Side)
3	000 023 182	Slide Bar
4	088 001 089	Decal 82-90 XLi Glow
5	090 001 170	Brkt-Sweep R.H. (10 Side)
6	090 001 171	Brkt-Sweep L.H. (7 Side)
7	090 006 166	Decal Amf Sweep Glow White Letters Black Background
8	300 000 175	Urethane Cap-Sweep Bar
9	300 000 182	Sweep Bar & Cap Assembly
11	749 537 068	Washer
12	808 557 140BG	Screw-Sb hc 5/16-18 X 7/8 (Bag 10)

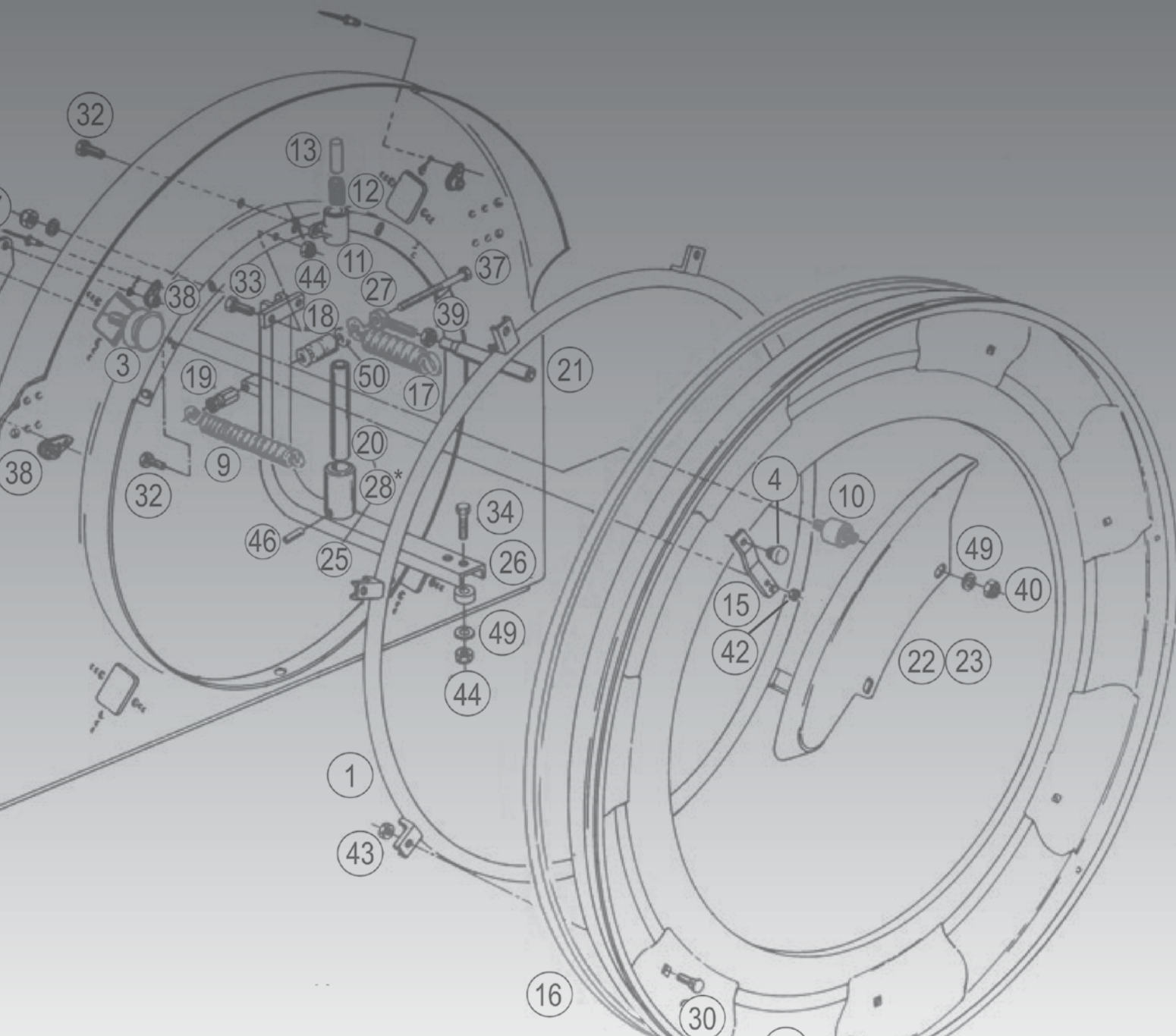
ITEM	PART NUMBER	DESCRIPTION
13	809 857 245BG	Screw-Hex 5/16-18 X 1 1/2 (Bag 10)
14	830 057 002BG	Nut Acorn Lok 5/16-18 (Bag 10)
15	844 057 002BG	5/16-18 Stover Locknut (Bag 10)
16	938 637 100BG	Pop Rvt 3/16 Al Dme Hd (Bag 10)
17	948 722 111BG	Washer-PI 11/32 Bl Oxide (Bag 10)
18	948 761 112BG	5/16 Wrought Washer (Bag 10)
SPECIAL TOOLS - SWEEP		
	030 002 748	Cam Gauge
	088 001 216	Frame/Sweep/Dist Gauge

Note: When Using Part 300 000 182, Sweep Bar On Brunswick Machine, Use Brackets Part Number 233 001 309 - Bracket RH And 233 001 307 - Bracket LH.

SPECIAL TOOLS - SWEEP

030002748	Cam Gauge
088001216	Frame/Sweep/Dist Gauge

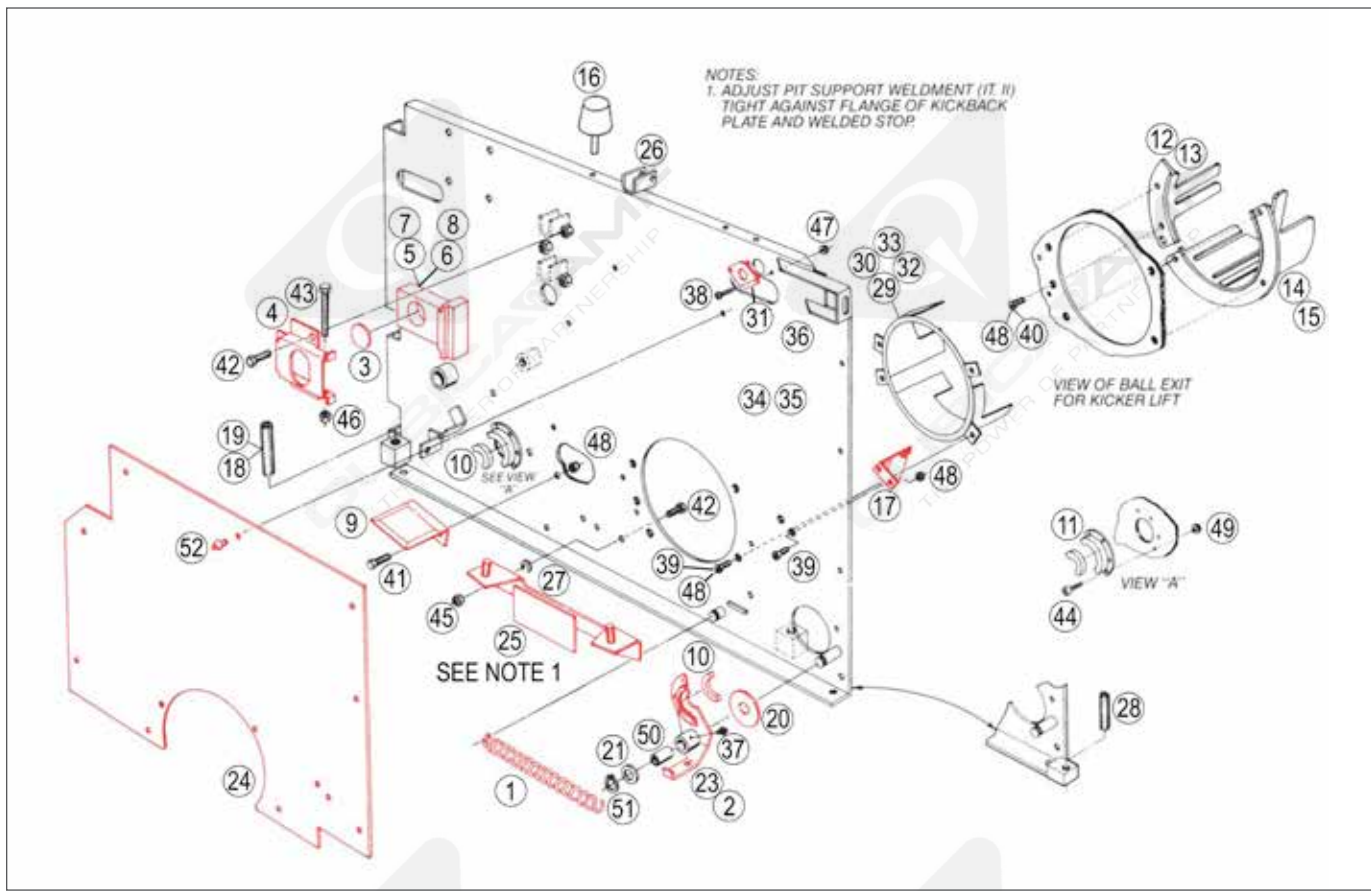




QUBICA  **AMF**
BACK END



KICKBACK ASSEMBLY

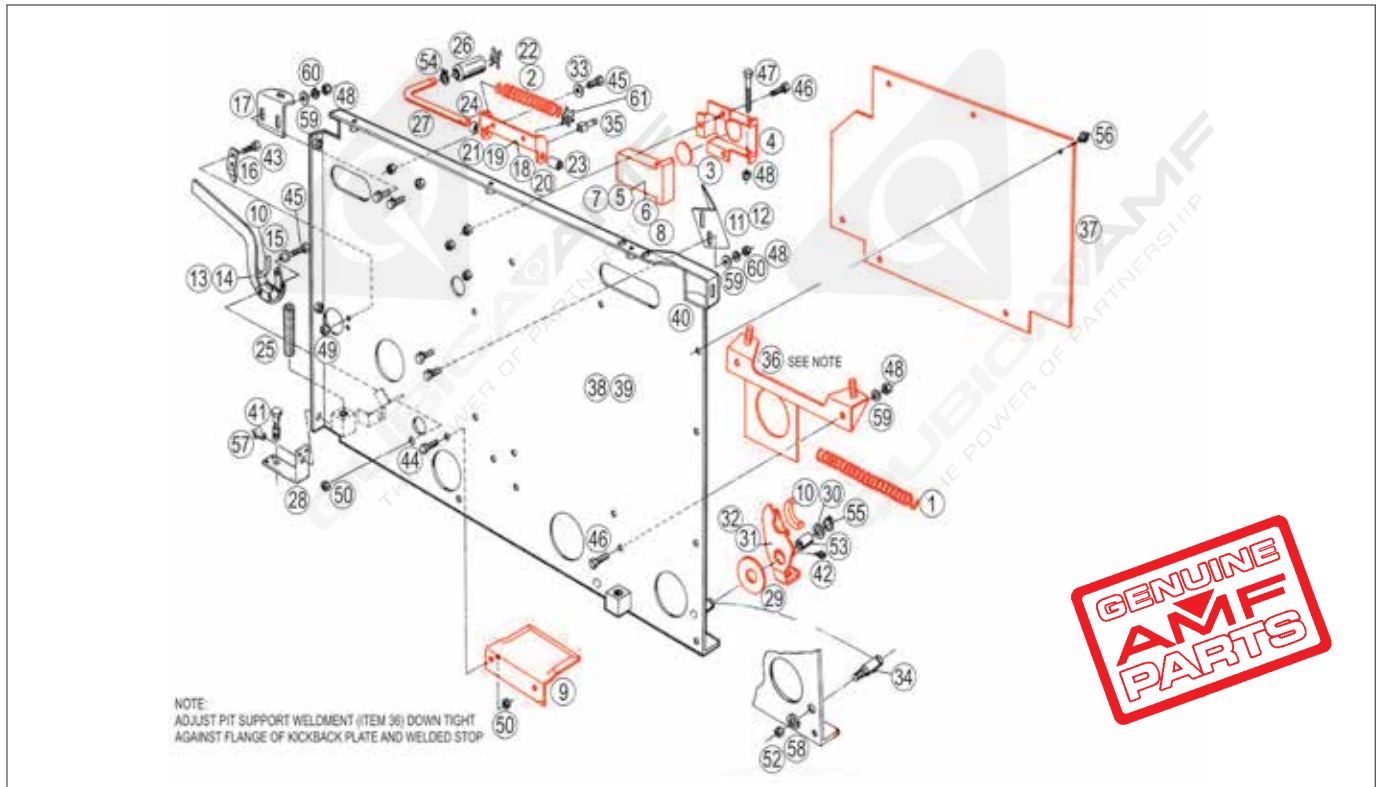


KICKBACK ASSEMBLY

ITEM	PART NUMBER	DESCRIPTION
1	000 021 204	Spring
2	000 022 249	Brkt Assembly-LH (Even, 7 Side)
3	000 022 300	Shield
4	000 022 788	Box-Support
5	000 022 794	Block Support RH (Odd)
6	000 022 795	Block Support LH (7 Side)
7	000 022 796	Cushion Block-Urethane-RH (10 Side)
8	000 022 797	Cushion Block-Urethane-LH (7 Side)
9	000 022 878	Angle
10	000 022 924BG	Support (Bag 10)
11	000 022 926	Retainer Support
12	000 024 623	Segment-Rear LH
13	000 024 624	Segment-Rear RH
14	000 024 625	Segment-Front RH
15	000 024 626	Segment Front LH
16	000 024 641	Stop Bumper
17	000 024 668	Track Supt Brkt
18	000 024 890	Jackscrew
19	000 025 207	Jack Screw Locking Insert Long
20	000 027 641	Bearing Th .752 X 2.75 X .062
21	000 027 642	Washer
N/S	000 028 362BG	Bumper-Urethane (Bag 10)
23	000 029 672	Brkt Bearing Assembly RH (Odd, 10 Side)
24	030 008 660	Panel Kickback
25	070 001 450	Pit Supt Brkt Bds
26	070 004 602	Ball Lift Bracket
27	070 006 639	Washer C

ITEM	PART NUMBER	DESCRIPTION
28	070 007 722	Jackscrew 1/2-20 X 3
29	070 011 005	Door Weld LH (Even - NOT SHOWN)
30	070 011 006	Door Weld RH (Odd)
31	070 011 286	Bushing-Curtain Rod
32	070 011 641-01	Urethane Ball Door Ring, Even (Not Shown)
33	070 011 642-01	Urethane Ball Door Ring, Odd (Not Shown)
34	090 004 126	Kickplate Weldment RH/RHm (Odd)
35	090 004 129	Kickplate Weldment LH/LHm (Even)
36	610 902 026	Kickback Bracket Repair Kit
37	710 501 009	Fittng-Almte 3006
38	808 549 160BG	Scr-Sobt 1/4-20 X 1 (Bag 10)
39	808 557 120BG	Scr - SoFIHd 5/16-18 x 3/4
40	808 857 160BG	Scr-Soft 5/16-18 X 1 (Bag 10)
41	809 857 125BG	Scr-Hx 5/16-18 X 3/4 (Bag 10)
42	809 865 205BG	Scr-Hx 3/8-16 X 1 1/4 (Bag 10)
43	809 865 645BG	Scr-Hx 3/8-16 X 4 (Bag 10)
44	810 258 100BG	Screw 5/16 - 24 X 5/8 (Bag 10)
45	839 665 002BG	Nut-Flx 3/8-16 (Bag 10)
46	840 065 002BG	Nut-Flx-Tn 3/8-16 (Bag 10)
47	844 049 002BG	Nut-Stvr-Lk 1/4-20 (Bag 10)
48	844 057 002BG	Nut Stvr Lk-5/16-18 (Bag 10)
49	844 058 002BG	Nut-Stvr-Lk 5/16-24 (Bag 10)
50	900 112 203BG	Brg Sl.753 X 1 X 1 1/4-Brnz (Bag 5)
51	919 005 800BG	Ring-Ret. 5100-75 (Bag 10)
52	937 000 000BG	Rivet Drive 1/4 X 11/32 (Bag 10)

KICKBACK ASSEMBLY / OPPOSITE BALL EXIT SIDE

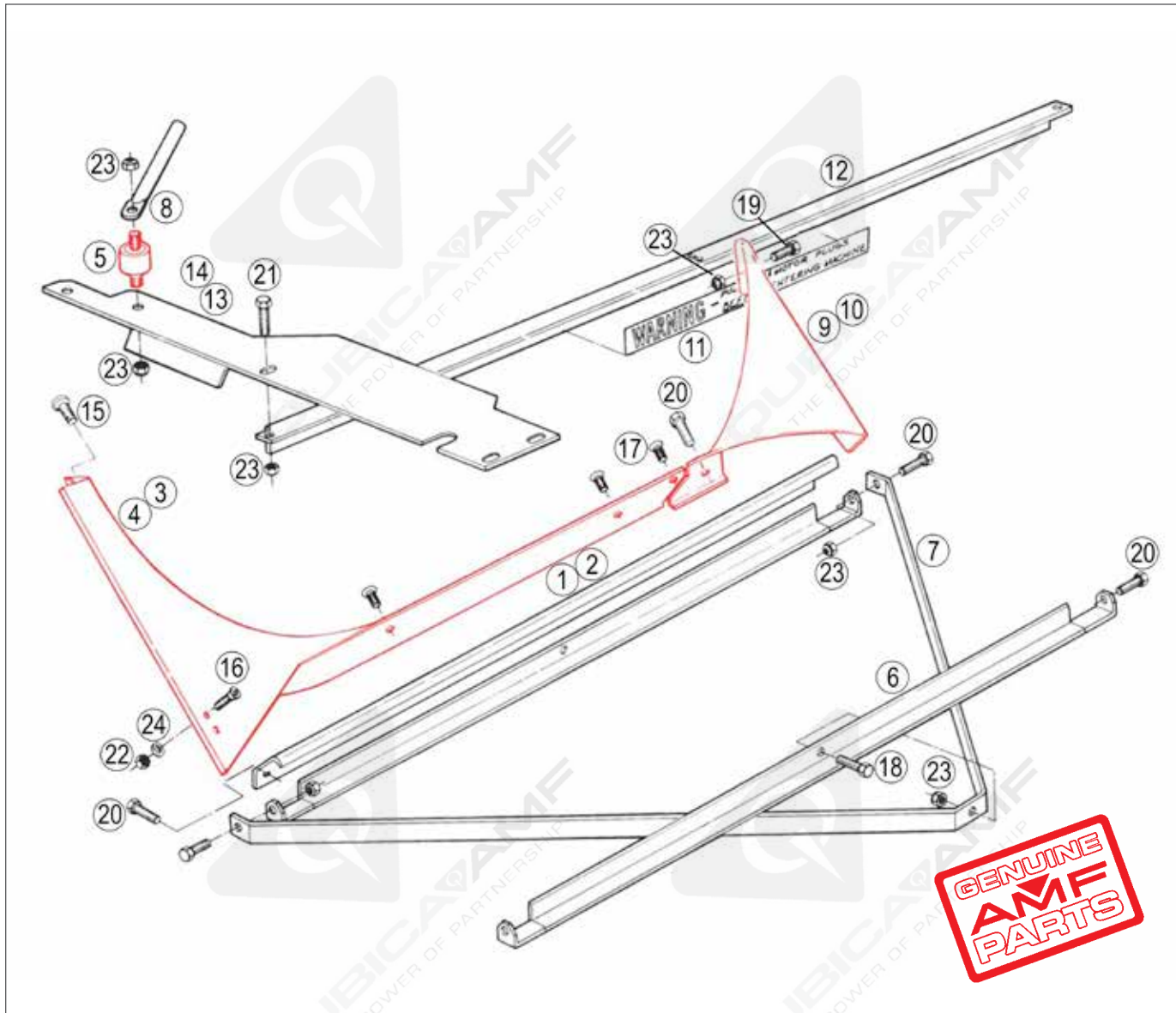


KICKBACK ASSEMBLY / OPPOSITE BALL EXIT SIDE

ITEM	PART NUMBER	DESCRIPTION
1	000 021 204	Spring
2	000 024 542	Spring-LH (Even)
3	000 022 300	Shield
4	000 022 788	Box-Support
5	000 022 794	Block Support RH (10 Side)
6	000 022 795	Block Support LH (7 Side)
7	000 022 796	Cushion Block-Urethane RH (10 Side)
8	000 022 797	Cushion Block-Urethane LH (7 Side)
9	000 022 878	Angle
10	000 022 924BG	Support (Bag 10)
11	000 023 431	Clip Bottom RH (Odd)
12	000 023 432	Clip Bottom LH (Even)
13	000 023 464	Support Weldmnt-RH Mach LH Side (Odd)
14	000 023 465	Support Weldmnt-LH Mach RH Side (Even)
15	000 023 467	Bearing Fl .314 X .434 X .310
16	000 023 468	Bracket
17	000 023 821	Side Clip Weld
18	000 024 507	Pin Eject Assembly LH (Even)
19	000 024 508	Pin Eject Assembly RH (Odd)
20	000 024 510	Brkt Assembly-LH (Even)
21	000 024 511	Brkt Assembly-RH (Odd)
22	000 024 513	Spring-RH (Odd)
23	000 024 515	Bearing SI .44 X .56 X 3/4
24	000 024 516	Bearing SI .44 X .56 X 3/8
25	000 024 890	Jackscrew
26	000 025 803	Roller-Pin Ejector Assembly
27	000 025 804	Shaft-Pin Ejector Assembly
28	000 026 464	Bracket-Back End
29	000 027 641	Bearing Th .752 X 2.75 X .062
30	000 027 642	Washer
31	000 027 645	Brkt Supt Assembly LH (Odd, 7 Side)

ITEM	PART NUMBER	DESCRIPTION
32	000 027 646	Brkt Supt Assembly RH (Even, 10 Side)
33	000 028 334BG	Pin Ejector Washer (Bag 10)
34	000 029 015	Stud-Pivot
35	000 029 317	Stop-Pin
36	070 001 451	Pit Supt Brkt-Obds
37	070 002 027	Panel
38	090 004 127	Kickplate Weldment LH/RHm (Odd)
39	090 004 128	Kickplate Weldment RH/LHm (Even)
40	610 902 026	Kickback Bracket Repair Kit
41	709 007 037	Blt-Taper 3/8 X 2 1/4
42	710 501 009	Fittng-Almte 3006
43	809 849 125	Screw-Hex 1/4-20 X 3/4
44	809 857 125BG	Scr-Hx 5/16-18 X 3/4 (Bag 10)
45	809 857 165BG	Scr-Hx 5/16-18 X 1 (Bag 10)
46	809 865 165BG	Screw 3/8-16 X 1 (Bag 10)
47	809 865 645BG	Scr-Hx 3/8-16 X 4 (Bag 10)
48	839 665 002BG	Nut-Flx 3/8-16 (Bag 10)
49	844 049 002BG	Nut-Stvr-Lk 1/4-20 (Bag 10)
50	844 057 002BG	Nut Stvr Lk-5/16-18 (Bag 10)
52	844 074 002BG	Nut-Stvr-Lk 1/2-20 (Bag 10)
53	900 112 203BG	Brg SI .753 X 1 X 1 1/4-Brnz (Bag 5)
54	919 005 400BG	Ring-Ret. 5100-43 (Bag 10)
55	919 005 800BG	Ring-Ret. 5100-75 (Bag 10)
56	937 000 000BG	Rivet Drive 1/4 X 11/32 (Bag 10)
57	937 710 005	Aluminum Drive Rivet
58	941 072 200BG	Wshr-1/2 X 1-1/4 X .083 (Bag 10)
59	948 767 132BG	Washer Sae Flat (Bag 10)
60	951 164 002BG	Wshr-Lk-Split 3/8 (Bag 10)
61	963 600 002BG	Wshr-X 1/4 9000-16 (Bag 10)

BACK END ASSEMBLY PARTS

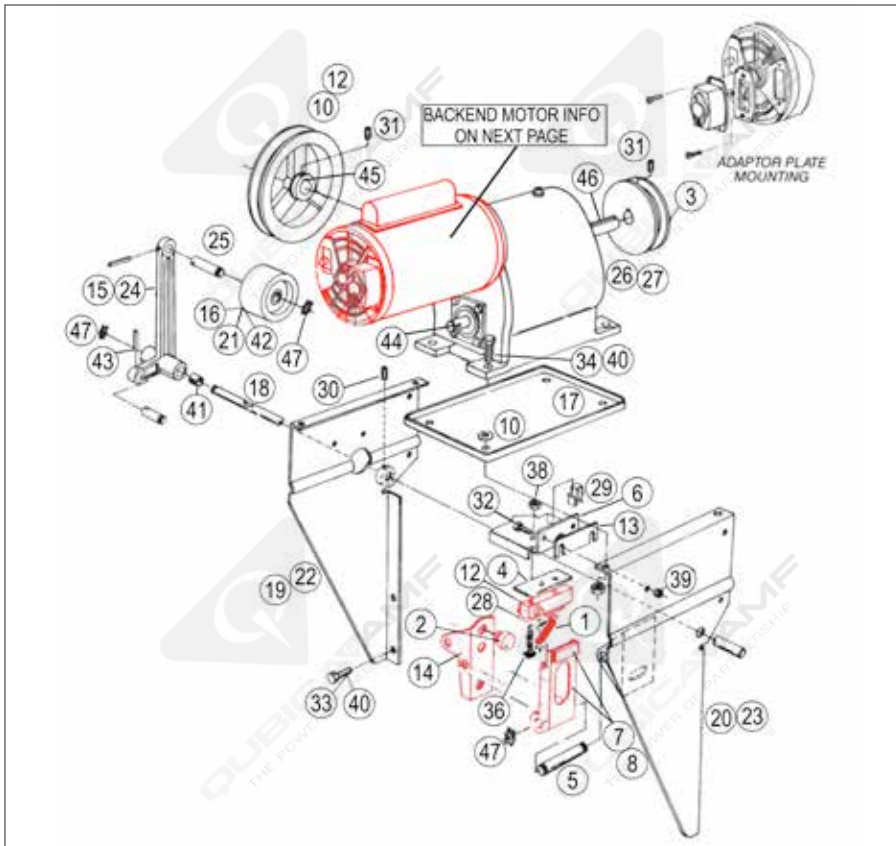


BACK END ASSEMBLY PARTS

ITEM	PART NUMBER	DESCRIPTION
1	000 027 099	Apron & Mat Assembly RH (Odd)
2	000 027 100	Apron & Mat Assembly LH (Even) NOT SHOWN
3	000 027 368	Plow & Mat Assembly LH (Even) NOT SHOWN
4	000 027 372	Plow & Mat Assembly RH (Odd)
5	000 029 068	Rubber Mount
6	070 001 184	Strap
7	070 001 185	Brace
8	070 001 195	Pin Seating Rod
9	070 001 412	Plow & Mat Assembly Sm RH (Odd)
10	070 002 169	Plow & Mat Assembly Sm LH (Even) NOT SHOWN
11	070 005 614	Decal-Warning
12	070 007 359	Brkt-Support

ITEM	PART NUMBER	DESCRIPTION
13	088 001 120	Tread Plate Even NOT SHOWN
14	088 001 121	Tread Plate Odd
15	808 566 160BG	Screw-Sobt 3/8-24 X 1 (Bag 10)
16	808 849 120BG	Screw-Soft 1/4-20 X 3/4 (Bag 10)
17	808 858 120BG	Screw-Soft 5/16-24 X 3/4 (Bag 10)
18	808 858 240BG	Screw-Soft 5/16-24 X 1 1/2 (Bag 10)
19	809 857 125BG	Screw-Hex 5/16-18 X 3/4 (Bag 10)
20	809 857 165BG	Screw-Hex 5/16-18 X 1 (Bag 10)
21	809 857 205BG	Screw-Hex 5/16-18 X 1 1/4 (Bag 10)
22	844 049 002BG	1/4-20 Lock Nut (Bag 10)
23	844 057 002BG	5/16-18 Stover Locknut (Bag 10)
24	948 753 102BG	Washer-9/32 X 5/8 X 1/16 (Bag 10)

MOTOR BRACKET ASSEMBLY



NATIONAL MOTOR B.E. MOTOR REPLACEMENT

Reversible rotation. Our proven Franklin motor, adapted to fit your National gearbox.

785502258 **110-220V/50HZ**
785502259 **110V/60HZ**

LUBRICANT FOR GEARBOXES

715021706 **Lube Oil 600W Case of 12 Qts**
715021716 **Lube Oil 600W 1 Qt.**

SOLID STATE SWITCH FOR BACK END MOTORS



Product Code **610309046**

MOTOR BRACKET ASSEMBLY

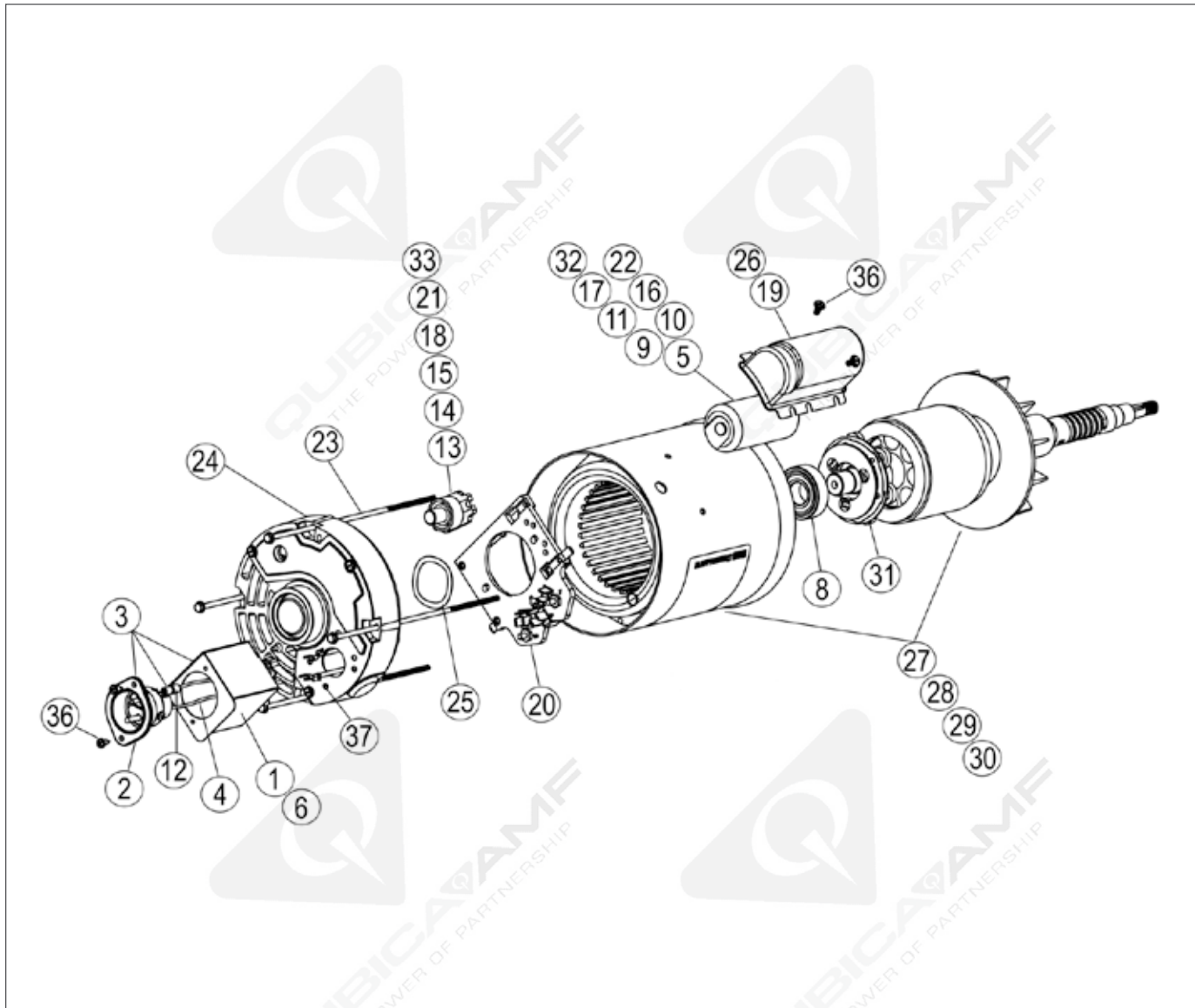
ITEM	PART NUMBER	DESCRIPTION
1	000 021 431	Spring
2	000 021 992BG	Bumper-Grommet #2250 Bag(10)
3	000 022 172	Sheave-Back End Drive
4	000 022 296BG	Insulator-Switch (Bag 10)
5	000 022 821	Pin
6	000 022 828	Brkt-Shock Swch Mech
7	000 023 621	Lever Cush Assembly-Swch
8	000 023 625	Bumper-Sponge Rubber
9	000 023 673	Sheave
10	000 023 758BG	Gskt-Washer 3/8 Id X 7/8 Od (Bag 10)
11	000 024 598	Adj Speed Sheave
12*	000 026 043	Switch-Micro
13**	000 028 036	Shim-Micro Switch
14	000 029 624	Bracket Shock Mount
15	070 002 004	Arm Assembly Rh Belt Tight (Odd)
16	070 002 007	Pulley Assembly Belt
17	070 002 010	Pan-Drip
18	070 002 012	Pivot Shaft
19	070 002 074	Brkt-Motor Rh Rear (Odd)
20	070 002 084	Brkt-Motor Rh Front (Odd)
21	070 002 094	Pulley-Belt Tightner
22	070 002 212	Brkt-Motor Lh Rear (Even)
23	070 002 214	Brkt-Motor Lh Front (Even)
24	070 002 216	Arm Assembly Lh Mach (Even)
25	070 004 267	Shaft-Stub
26	070 007 902	Gearmotor Assembly Odd 60Hz

ITEM	PART NUMBER	DESCRIPTION
27	070 007 903	Gearmotor Assembly Even 60Hz
28	070 011 250	Bracket-Switch
29	724 501 072	Tin-Clip-Cbl.C 4506S
30	807 357 080BG	Screw-Stso 5/16-18 X 1/2 (Bag 10)
31	807 358 060BG	Screw-Stso 5/16-24 X 3/8 (Bag 10)
32	809 849 125	Screw-Hex 1/4-20 X 3/4
33	809 857 125BG	Screw-Hex 5/16-18 X 3/4 (Bag 10)
34	809 857 205BG	Screw-Hex 5/16-18 X 1 1/4 (Bag 10)
35	809 857 565	Screw-Hex 5/16-18 X 3 1/2
36	818 227 202BG	Screw-Smrd 6-32 X 1 1/4 (Bag 10)
37	823 126 062BG	Screw-Tap-Rd 6 X 3/8 Tya (Bag 10)
38	839 527 002BG	6-32 Flex Nut (Bag 10)
39	844 049 002BG	1/4-20 Lock Nut (Bag 10)
40	844 057 002BG	5/16-18 Stover Locknut (Bag 10)
41	900 108 141	Bearing Sl .503 X 7/8
42	900 208 161BG	Bearing Fl .503 X .875 X 1 (Bag 5)
43	913 437 160BG	Pin-Spring .187 X 1 (Bag 10)
44	907 000 300BG	Key - Distributor Drive
45	907 000 500BG	Key - Pinwheel Drive
46	907 201 100BG	Key - Carpet Drive
47	963 600 002BG	X-Washer, 1/4 9000-16 (Bag 10)

* Remove N.O. contact before mounting

** Use as required to obtain a gap of .79 in (2.39mm) between item 7 & item 14

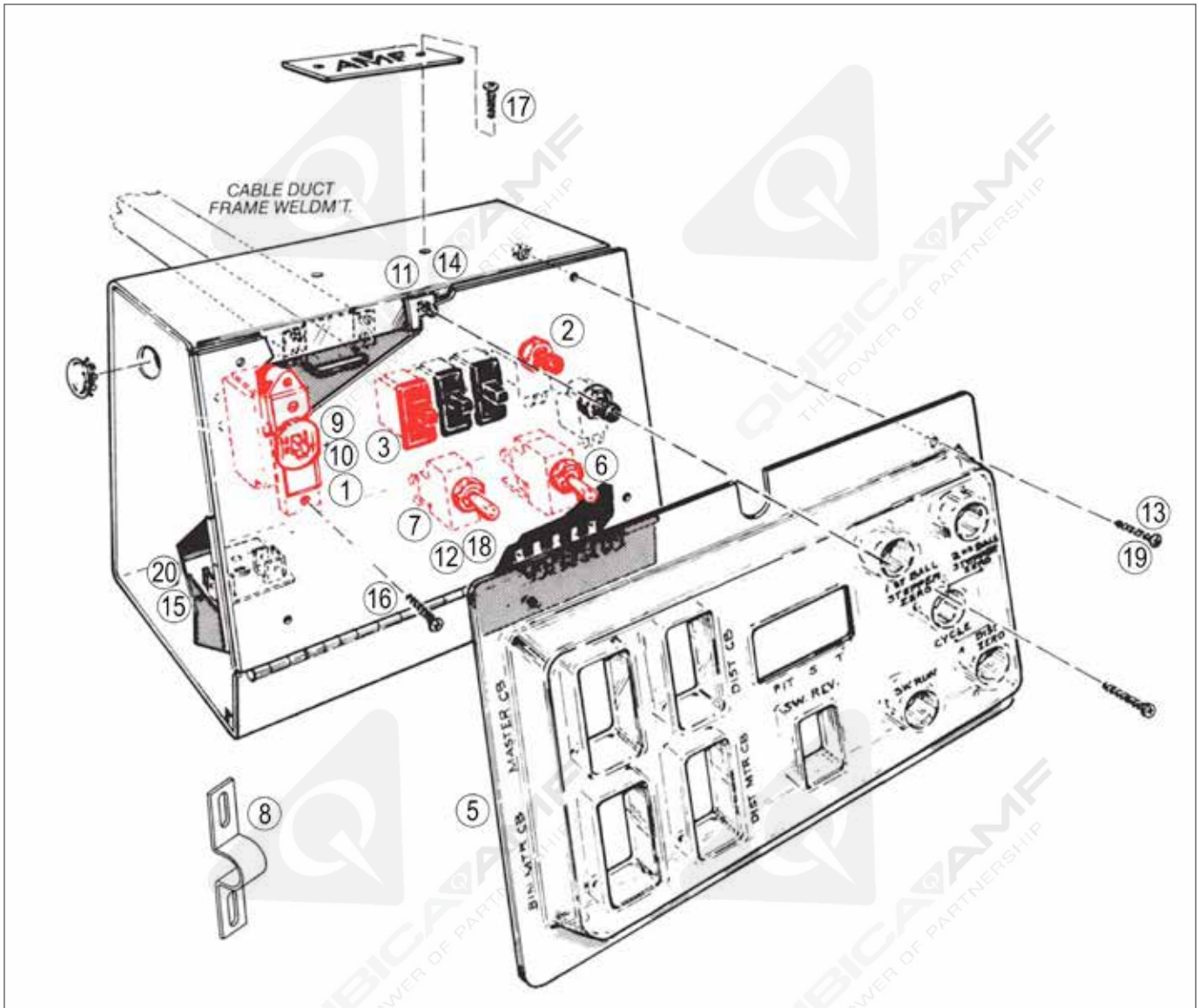
BACK END MOTORS



BACK END MOTORS

ITEM	PART NUMBER	DESCRIPTION
N/S	000 025 590	Receptacle Housing w/ flange (not shown)
2	000 025 906	Receptacle-Male
3	070 001 284	Receptacle Assembly
4	070 002 180	Recptacle Wire Assy
5	090 003 634	Capacitor Franklin
6	090 004 521	Receptacle Housing
7	610 309 046	Solid State Start Switch for BE Motors see prev. page)
8	701 021 010	Bearing - Bluffton BE Mtr
9	743 000 015	Capacitor West 60Hz 314P079
10	743 000 017	Capacitor GE 60Hz
11	743 000 125	Capacitor West 50Hz 325P205
12	760 015 038	Term-Amp 41473
13	785 501 389	Klixon for GE 60Hz BE Motor
14	785 501 394	Klixon for WH 60Hz BE Motor
15	785 501 508	Klixon for GE 50Hz BE Motor
16	785 501 509	Capacitor GE 50Hz
17	785 501 528	Capacitor West 50Hz 314P145
18	785 501 564	Klixon for WH 50Hz BE Motor

ITEM	PART NUMBER	DESCRIPTION
19	785 501 671	Capacitor Cover
20	785 501 702	Mechanical Start Switch - Bluffton BE Mtr
21	785 501 703	Bluffton BE Mtr Klixon
22	785 501 704	Capacitor - Bluffton BE Mtr
23	785 501 705	Thru Bolt, #8-32 x 7.5" - Bluffton BE Mtr
24	785 501 706	Bluffton BE Mtr End Bell
25	785 501 708	Wave Spring Washer - Bluffton BE Mtr
26	785 501 709	Capacitor Cover - Bluffton BE Mtr
27	785 501 720	60Hz, Even, Motor and Shaft
28	785 501 721	60Hz, Odd, Motor and Shaft
29	785 501 722	50Hz, Even, Motor and Shaft
30	785 501 723	50Hz, Odd, Motor and Shaft
31	785 501 737	Centrifugal Mechanism - Bluffton BE Mtr
32	785 502 079	Capacitor National
33	785 502 080	Klixon for National BE Motor
34	785 502 258	50Hz Replacement Motor for National GB (NS)
35	785 502 259	60Hz Replacement Motor for National GB (NS)
36	823 126 062BG	#6-32 x 3/8 in. Screw Rnd Hd

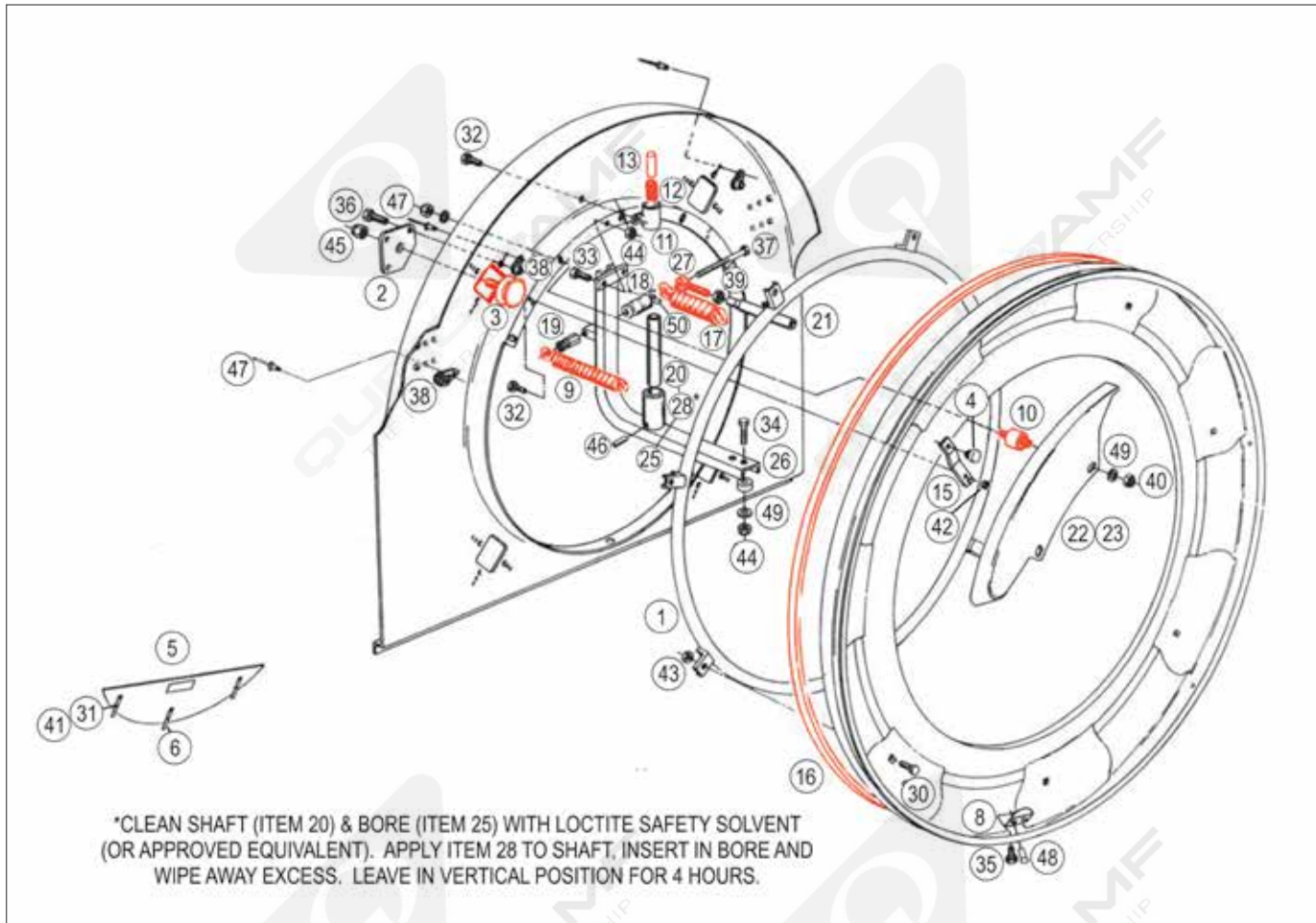


BACK END CONTROL BOX

ITEM	PART NUMBER	DESCRIPTION
1	000 025 292	Circuit Breaker Am12 (4 Terminals)
2	000 025 865	Plunger Switch
3	000 026 037	Switch Toggle
5	070 005 361	Cover-Control Box
6	070 005 529	Switch-Sweep Run
7	070 005 530	Switch-Sweep Reverse
8	070 007 591	Strap
9	070 009 821	Circuit Breaker-Spec (6 Terminals)
10	070 009 823	Plate Adapter & Screw
11	724 511 006	Tin-Nut-Spd.C814-832

ITEM	PART NUMBER	DESCRIPTION
12	817 921 080	Screw Pnhd 4-40 X 1/2 Sems
13	818 227 082BG	Scr-Smrd #6-32 X 1/2 (Bag 10)
14	818 233 082BG	Scr-Smrd #8-32 X 1/2 (Bag 10)
15	818 233 122BG	Scr-Smrd #8-32 X 3/4 (Bag 10)
16	818 627 042BG	Scr-Smrd #6-32 X 1/4 (Bag 10)
17	829 905 042	Screw-Drpk 0 X 1/4 Ty U
18	843 121 002	Nut-Kept 4-40 Wash
19	843 127 002BG	Nut-Kept 6-32 Wash (Bag 10)
20	843 133 002BG	Nut-Kept 8-32 Wash (Bag 10)

PIN ELEVATOR ASSEMBLY



PIN ELEVATOR ASSEMBLY

ITEM	PART NUMBER	DESCRIPTION
1	000 020 855	Ring Weldment
2	000 021 210	Plate-Roller
3	000 021 211	Roller Bearing
4	000 021 992BG	Bumper-Grommet #2250 (Bag 10)
5	000 022 219	Pin Elev Guard Assembly
6	000 022 222	Brkt-Mtg-Pin Elev Grd
N/S	000 025 330	Brkt-Pin Hold LH (Even)
8	000 025 331	Brkt-Pin Hold RH (Odd)
9	000 026 032	Spring
10	000 029 068	Rubber Mount
11	000 029 201	Oiler Body
12	000 029 202	Spring Wick
13	000 029 203	Wick Pin
15	070 001 415	Bracket-Wheel
16	070 002 005	Belt-Drive Pin Elevt
17	070 006 030	Spring-Safety Link
18	070 006 043	Spacer-Clamp
19	070 006 044	Nut-Spring Post
20	070 006 045	Post-Dist Supt Assembly
21	070 006 047	Tube-Safety Link
22	070 006 098	Rail-RH Mach Bk End (Odd)
23	070 006 099	Rail LH Mach Bk End (Even) NOT SHOWN
N/S	070 006 143	Spacer
25	070 007 357	Channel Support Weld
26	070 008 449	Spacer-Dist Support

ITEM	PART NUMBER	DESCRIPTION
27	090 005 256	Rod-End-Distributor Support
28	700 107 170	Adhesive-Lkte 609
N/S	715 021 006	Ring Tube & Roller Lube
30	801 149 897	1/4-20 X 3/4 Carriage Bolt
31	801 239 160	Bolt-Carriage 10-24 X 1
32	809 849 125	Screw-Hex 1/4-20 X 3/4
33	809 857 165BG	Scr-Hx 5/16-18 X 1 (Bag 10)
34	809 857 405BG	Scr-Hx 5/16-18 X 2 1/2 (Bag 10)
35	809 858 085BG	Scr-Hx 5/16-24 X 1/2 (Bag 10)
36	809 858 125BG	Scr-Hx 5/16-24 X 3/4 (Bag 10)
37	809 865 725BG	Scr-Hx 3/8-16 X 4 1/2 (Bag 10)
38	830 358 002	Nut-An 5/16-24 Cd
39	831 566 002BG	Nut-Hex 3/8-24 (Bag 10)
40	834 557 002BG	Nut Hex 5/16-18 Bag(10)
41	843 139 002BG	Kep Nut 10-24 (Bag 10)
42	844 049 002BG	Nut-Stvr-Lk 1/4-20 (Bag 10)
43	844 049 002BG	Nut-Stvr-Lk 1/4-20 (Bag 10)
44	844 057 002BG	Nut Stvr Lk-5/16-18 (Bag 10)
45	844 074 002BG	Nut-Stvr-Lk 1/2-20 (Bag 10)
46	913 437 280BG	Pin Sprng 187 X 1 3/4 (Bag 10)
47	938 523 030BG	Rvt-Pop 1/8 X .126 x .187 (Bag 10)
48	938 537 060BG	Rvt-Pop Dmed 3/16 Dia (Bag 10)
49	948 761 112BG	Washer 11/32 X 11/16 X 1/16 (Bag 10)
50	948 767 132BG	Washer Sae Flat (Bag 10)

VELCRO CUSHION COVER

Cover material with stitched male “hook” velcro (first time installation requires Velcro purchase)

Product Code **070011840**

Mounting die cut female “loop” velcro for RH cushion (Odd machine)

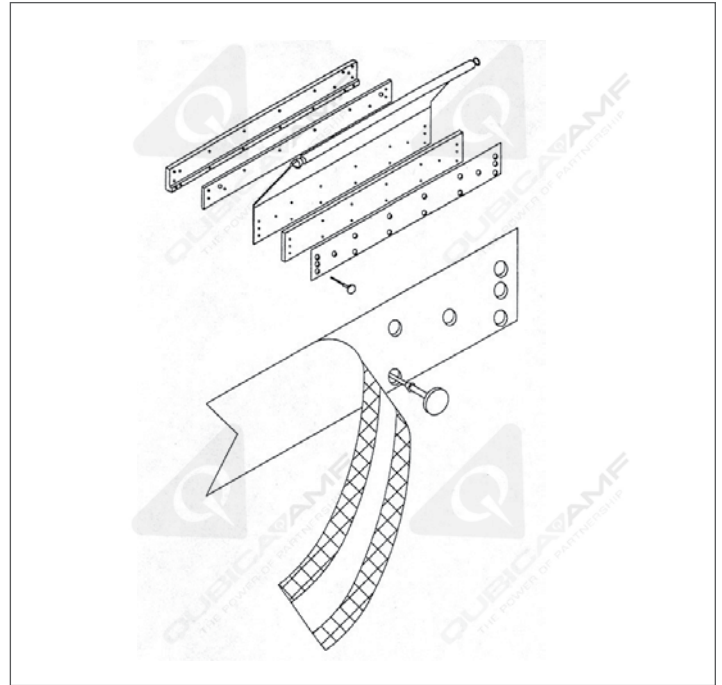
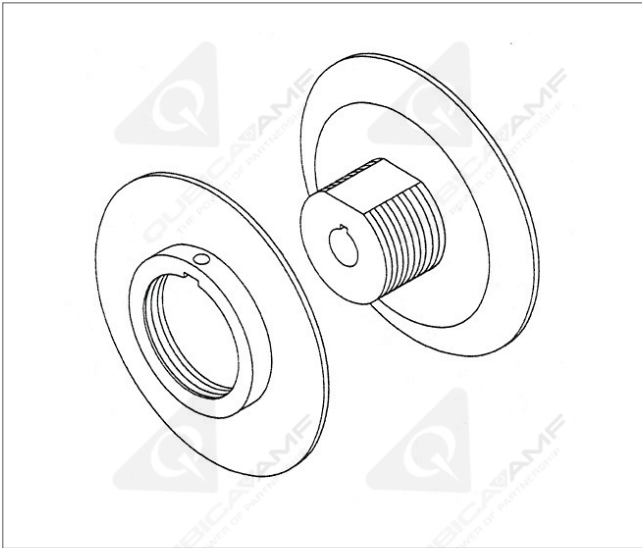
Product Code **070011841**

Mounting die cut female “loop” velcro for LH cushion (Even machine)

Product Code **070011842**

ADJUSTABLE SPEED SHEAVE

Product Code **000024598**



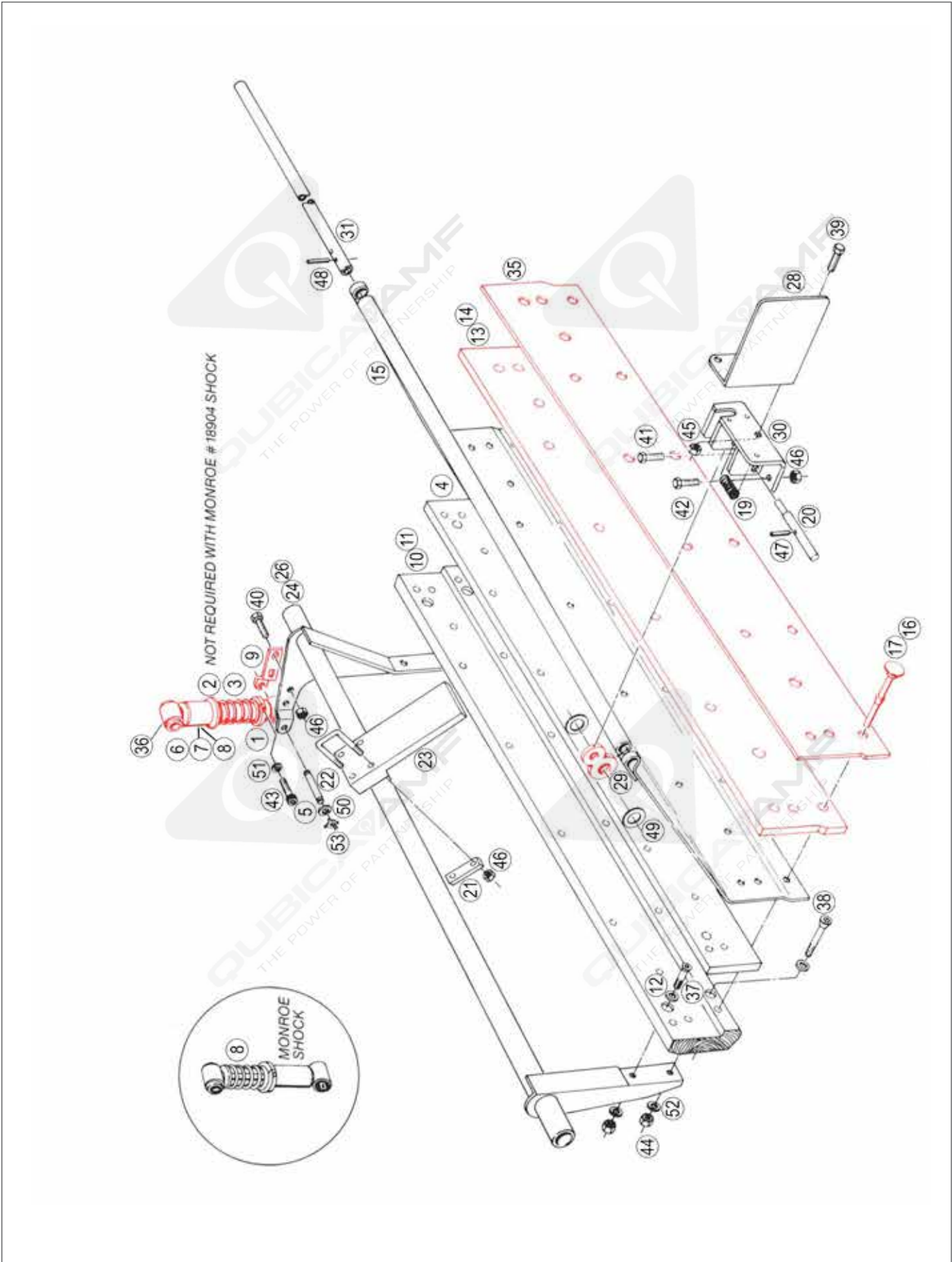
Problems with Pin Feed on Pinspotters:

- Pins do not always slide perfectly on the orientor pan for many reasons including pin damage, grease, poor adjustment, etc.
- Older pins with scars and knicks do not slide well at all causing pin spacing to become close. This results in higher costs associated with replacing old pins with new ones to reduce machine calls and pin pile-ups.
- 82-70 distributor arm gets shorter feeding the 2, 4, & 7 pins while the distributor belt speed remains constant.
This effect actually accelerates the pin to these locations making perfect spacing between the pins crucial to avoid pin jam.
- Tight or loose clutch adjustment, bent tubes, poor lubrication, and a wide variety of other adjustments inhibit the distributor’s normal free range of motion and slow its movements from location to location.
- Even though the distributor may slip or wave, the belt speed remains constant and the pin is not going to wait.

Solution:

- Slow the speed of the pin wheel down to create more spacing between the pins on the distributor belt. This gives the distributor more room for error.
- The bigger the spacing the better chance of avoiding a pin jam.
- The adjustable sheave provides a potential reduction in speed of up to 17%.
- The adjustable speed sheave allows you to optimize the pin feed of the backend to the ability of the distributor.

- Reinforced “carpet belt” type material with a low friction “brushed” surface exposed for ball contact.
- Two strips of male “hook” Velcro are double stitched to the material with high strength, heavy polyester cord.
- Female “looped” Velcro is die cut to fit exactly like any other cushion cover. It is held in place with 16 rivets.
- Once installed, all rivet heads are protected from any ball contact. This means:
 - NO rivet head wear
 - NO balls sticking to rivet heads
 - NO marking from rivet heads
 - NO more rivet problems
- Outside material is simply pressed on.
Each time the ball hits the cushion, the material is pressed on that much harder.
- When it is time to change the cover, simply peel it off and stick on a new cover.
- Eliminates down time and cushion maintenance resulting from installing new rivets and pads every time a cushion cover is worn out.
- Outside cover with stitched on Velcro is universal.
- Presents a truly smooth, flat, non-marking surface for the ball to contact with no rivet heads exposed.



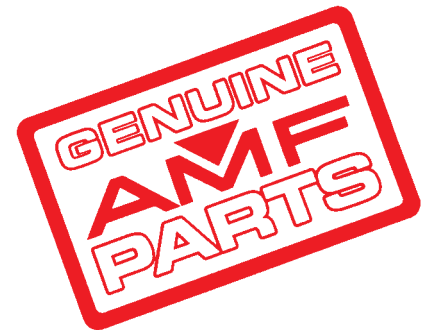
CUSHION, SHOCK ABSORBER & CURTAIN SUPPORT ASSEMBLIES

CUSHION, SHOCK ABSORBER & CURTAIN SUPPORT ASSEMBLIES

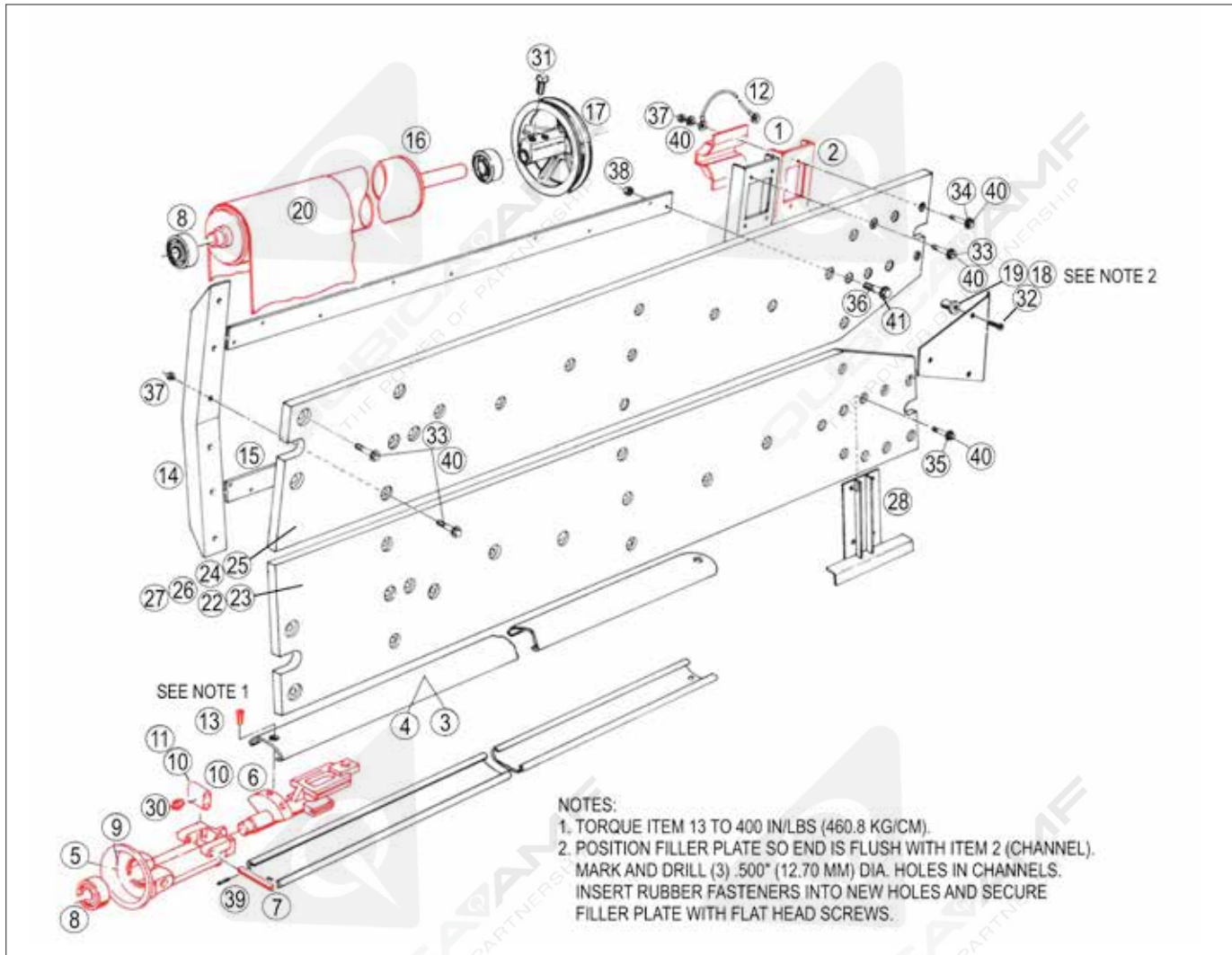
ITEM	PART NUMBER	DESCRIPTION
1	000 022 286	Collar-Strut Cushion
2*	000 022 287	Washer Spring Seat
3	000 022 288	Spring Cushion
4	000 022 770	Pad Cush Sponge Rubbr
5	000 022 821	Pin
6	000 022 822	Sleeve
7	000 022 823	Shock Absorber
8	000 022 824	Cushion Shock Assembly
9	000 024 534	Ear, Hanger Cushion
10	000 024 795	Wood Plank-Cushion LH (Even)
11	000 024 796	Wood Plank-Cushion RH (Odd)
12	000 024 801BG	Washer (Bag 10)
13	000 024 807	Cushion-Rubber RH (Odd)
14	000 024 808	Cushion-Rubber LH (Even)
15	000 026 450	Pin Curtain
16	000 028 519	Rubber Rivet, Cushion Asm
17	000 028 529	Urethane-Plus Rivet
19	070 001 389	Spring-Curtain Latch
20	070 001 396	Pin-Curtain Latch
21	070 001 421	Strap
22	070 001 422	Bolt-U
23	070 001 432	Pad
24	070 002 050	Tube Weld RH (Odd)
25	070 002 060	Cushion Assembly RH (Odd)
26	070 002 252	Tube Weld LH (Even)
27	070 002 260	Cushion Assembly LH (Even)

ITEM	PART NUMBER	DESCRIPTION
28	070 004 738	Guard
29	070 005 610	Link
30	070 007 360	Brkt Support Weld
31	070 011 288	Rod Curtain
N/S	070 011 840	Velcro Cushion Cover - See Pg 65
N/S	070 011 841	Velcro Loop Cushion RH (Odd) - See Pg 65
N/S	070 011 842	Velcro Loop Cushion LH (Even) - See Pg 65
35	090 005 230	Cushion Cover Reinforced
36	721 502 005	Bushing-Rubber Monroe Shock
37	808 865 320BG	Screw-Soft 3/8-16 X 2 (Bag 10)
38	808 865 400BG	Scr-Soft 3/8-16 X 2 1/2(Bag10)
39	809 849 125	Screw-Hex 1/4-20 X 3/4
40	809 857 125BG	Screw-Hex 5/16-18 X 3/4 (Bag 10)
41	809 857 165BG	Screw-Hex 5/16-18 X 1 (Bag 10)
42	809 857 205BG	Screw-Hex 5/16-18 X 1 1/4 (Bag 10)
43	810 250 200BG	Screw-Soc 1/4-28 X 1 1/4 (Bag 10)
44	839 665 002BG	Nut-Fix 3/8-16 (Bag 10)
45	844 049 002BG	1/4-20 Lock Nut (Bag 10)
46	844 057 002BG	5/16-18 Stover Locknut (Bag 10)
47	913 431 160BG	Pin-Spring .156 X 1 (Bag 10)
48	913 437 240BG	Pin-Spring .187 X 1 1/2 (Bag 10)
49	945 091 242	Washer-1 X 1 1/2
50	948 975 172BG	1/2 Uss Wrought Washer Type A (Bag 10)
51	951 148 002BG	1/4" Split Lockwasher Med Plttd (Bag10)
52	951 164 002BG	Washer-Lk-Split 3/8 (Bag 10)
53	963 600 002BG	Washer-X 1/4 90000-16 (Bag 10)

* Spring is top on Monroe Shock, and bottom on Gabriel Shock. Gabriel Shock is no longer available.



BOUNCE PLATE & ROLLER ASSEMBLIES

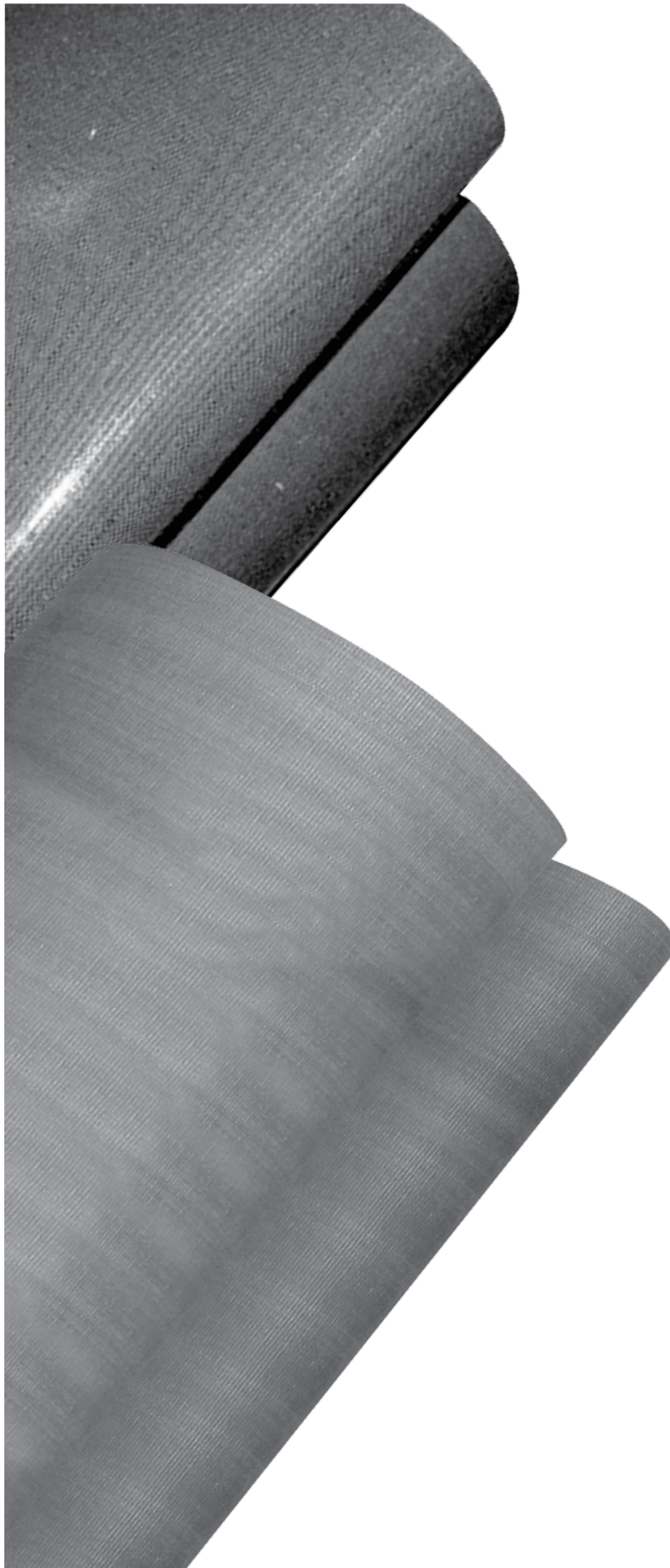


BOUNCE PLATE & ROLLER ASSEMBLIES

ITEM	PART NUMBER	DESCRIPTION
1	000 021 224	Dampener Vibration
2	000 021 914	Channel
3	000 024 576	Roller Assembly-Front
4	000 024 578	Roller Body-Front
5	000 024 579	Roller Hinge
6	000 024 580	Shaft Hinge
7	000 024 582BG	Pin Roller (Bag 10)
8	000 024 590	Front Roller Bearing
9	000 024 592	Hinge Assembly
10	000 024 597	Link, Bronze, Frnt Rllr Assy
11	000 024 760	Link, Front Roller Assembly
12	000 025 622	Strap-Bonding
13	000 025 662BG	Screw-Nyloc (Bag 10)
14	000 029 626	Support-Angle
15	000 029 898	Bar Reinforcing 40.5
16	070 002 034	Roller Assembly Rear
17	070 002 097	Sheave Carpet Drive
18	070 007 846	Kit Filler Plate
19	070 007 847	Fastner Rubber
20	Various	Carpet Belt - See Page 69
22	090 005 270	Bounce Board RH Front Phenolic (Odd)

ITEM	PART NUMBER	DESCRIPTION
23	090 005 271	Bounce Board LH Front Phenolic (Even) NOT SHOWN
24	090 005 272	Bounce Board RH Rear Phenolic (Odd)
25	090 005 273	Bounce Board LH Rear Phenolic (Even) NOT SHOWN
26	090 005 275	Bounce Bd Assy R.H. (Odd)
27	090 005 276	Bounce Bd Assy L.H. (Even) NOT SHOWN
28	610 704 014	Ball Idling Bracket Kit
N/S	612 070 014	Rear Roller Repair Kit - See Pg 70
30	710 501 002	Fittng-Almte 1612B
31	806 265 160BG	Screw-Stsq 3/8-16 X 1 Cp (Bag 10)
32	808 849 160BG	Screw-Soft 1/4-20 X 1 (Bag 10)
33	809 849 165BG	Screw-Hex 1/4-20 X 1 (Bag 10)
34	809 849 205BG	1/4-20 X 1 1/4 Machine Screw (Bag 10)
35	809 849 325BG	1/4-20 X 2 Cap Screw (Bag 10)
36	809 857 205BG	Screw-Hex 5/16-18 X 1 1/4 (Bag 10)
37	844 049 002BG	1/4-20 Lock Nut (Bag 10)
38	844 057 002BG	5/16-18 Stover Locknut (Bag 10)
39	913 411 100BG	Pin-Sprng .078 X 5/8 (Bag 10)
40	948 753 102BG	Washer 9/32 X 5/8 X 1/16 (Bag 10)
41	948 761 112BG	5/16 Wrought Washer (Bag 10)

AMF Carpet Belts have been the proven leaders for more than 50 years. All of our carpets resist lane oil penetration, resist stretching and resist fraying. We offer two high quality belts at three price points to meet every center's budget.



BLACK CARPET BELT

It's the expert carpet belt for your pinspotters. With a tight inside dimension tolerance, the Black Belt maintains flexible contact over the pit carpet rollers for a longer period of time, which eliminates ball idling issues. Even with today's aggressive lane oils, the Black Belt stays soft and flexible without stretching. Field tested for four years, our Black Belt is easy to install, starts up easier, and resists lane oils. The Black Belt comes with a one year warranty.

Order part # 088 500 505BX

PUMPKIN CARPET BELT

The Pumpkin is the standard of the industry. It has a mechanically and chemically stitched splice that resists de-lamination and curling. This belt provides longer life and superior oil resistance to mandrel built belts, and is preconditioned for easier installation, and reduced break-in time. It also comes with a two-year warranty.

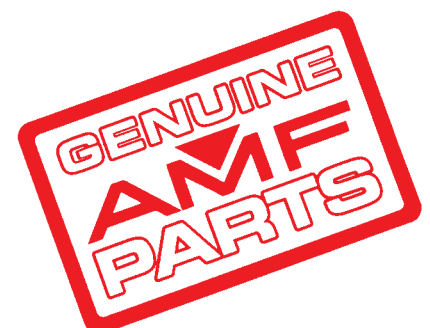
Order part # 090 006 124

PERFORMANCE RED BELT

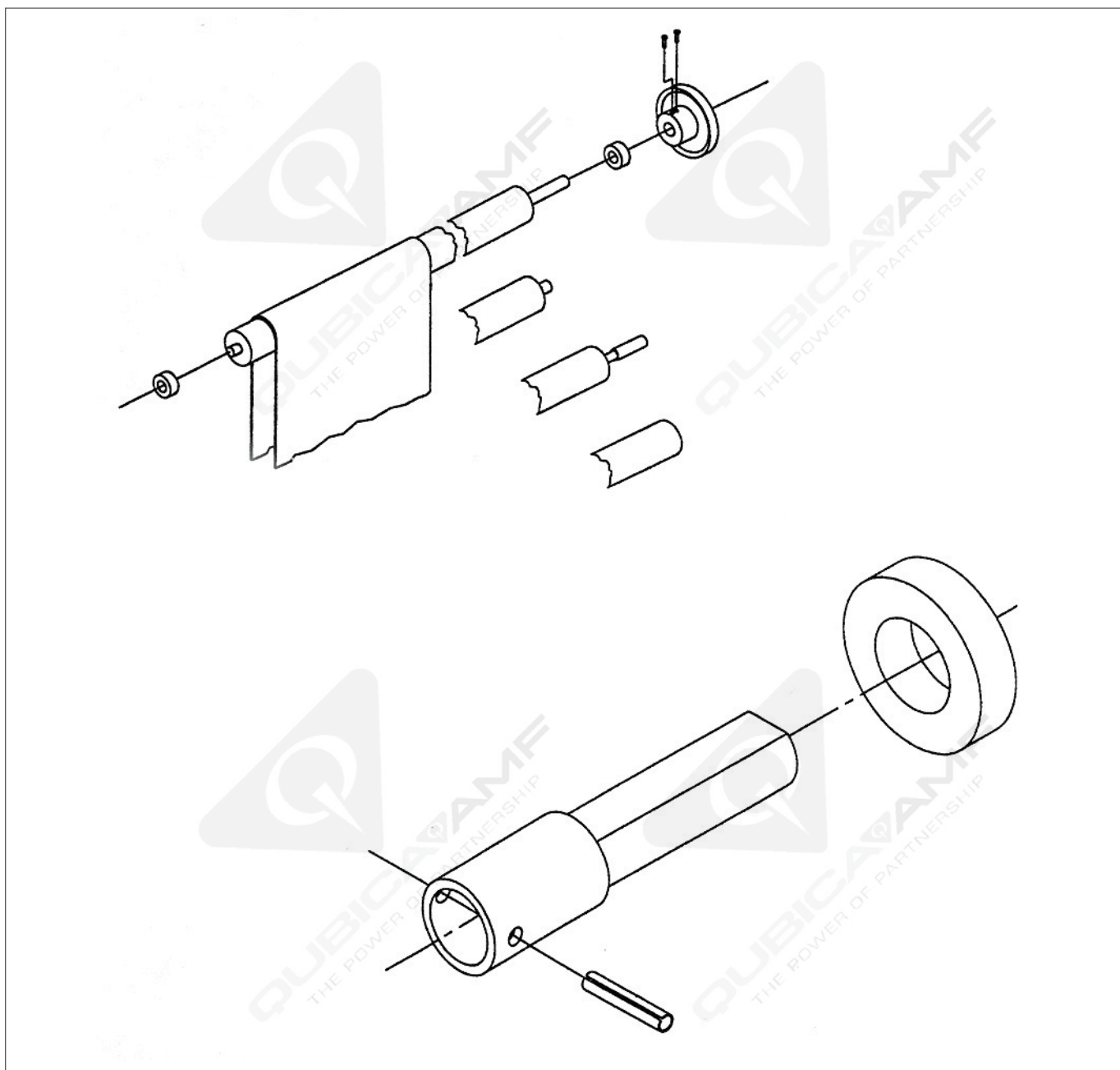


Now with 25% thicker plies than other PVC belts, this pit belt has a longer life than ever before. The new matte surface finish is softer and provides faster pin movement to reduce jams at the ball exit. This finish also helps reduce the transfer of oil and dirt to pins and bowling balls. This pit belt comes with a two-year warranty.

Order part # 000026753-RED



82-70 REAR ROLLER REPAIR KIT



82-70 REAR ROLLER REPAIR KIT

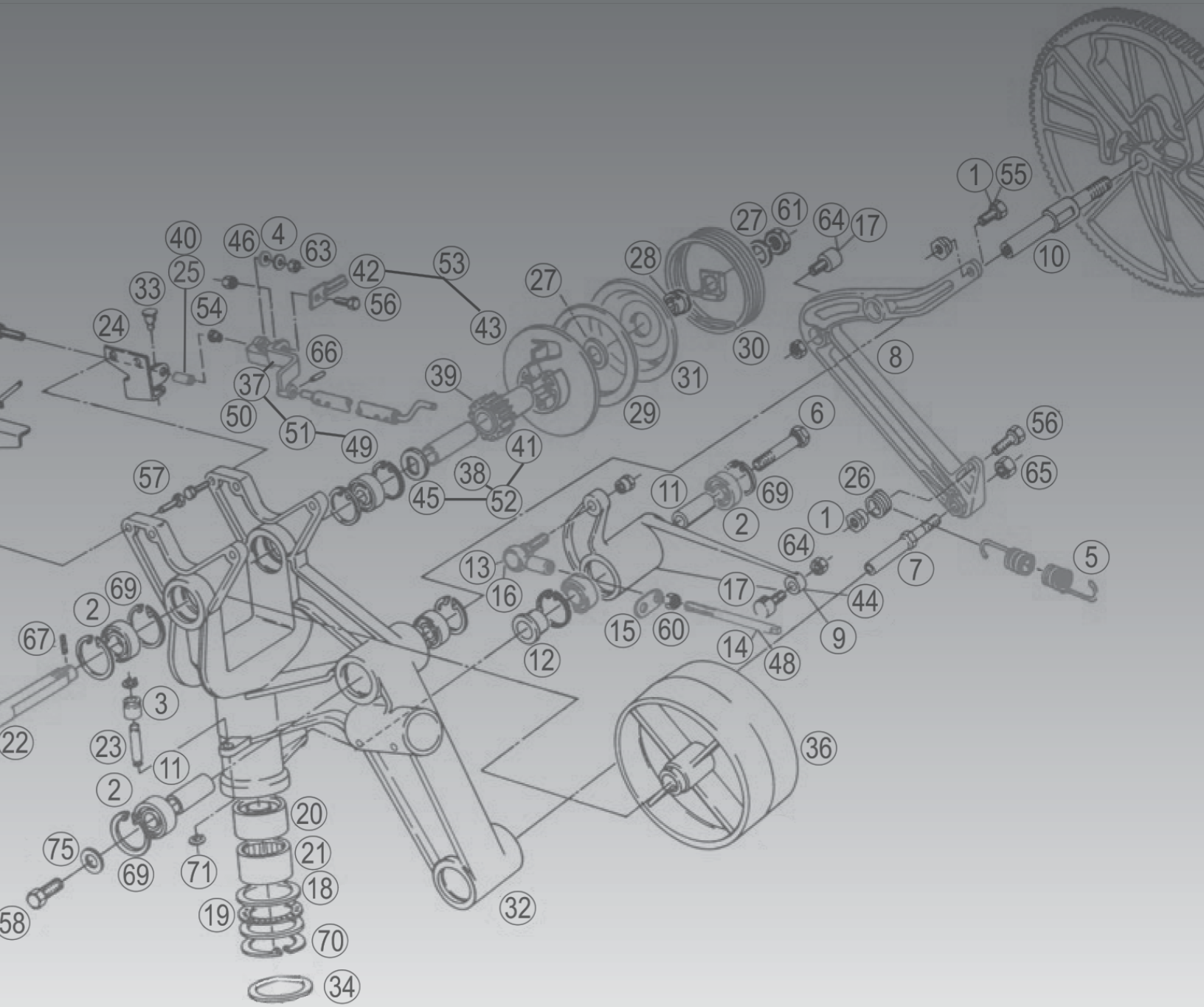
Includes:

- Stub shaft
- Ball bearing for stub shaft end
- New ball bearing for opposite end (#000024590)
- 3/16" x 1" steel roll pin
- 0.185" drill bit

Product Code **612070014**

SPECIAL TOOLS - PIT & CUSHION

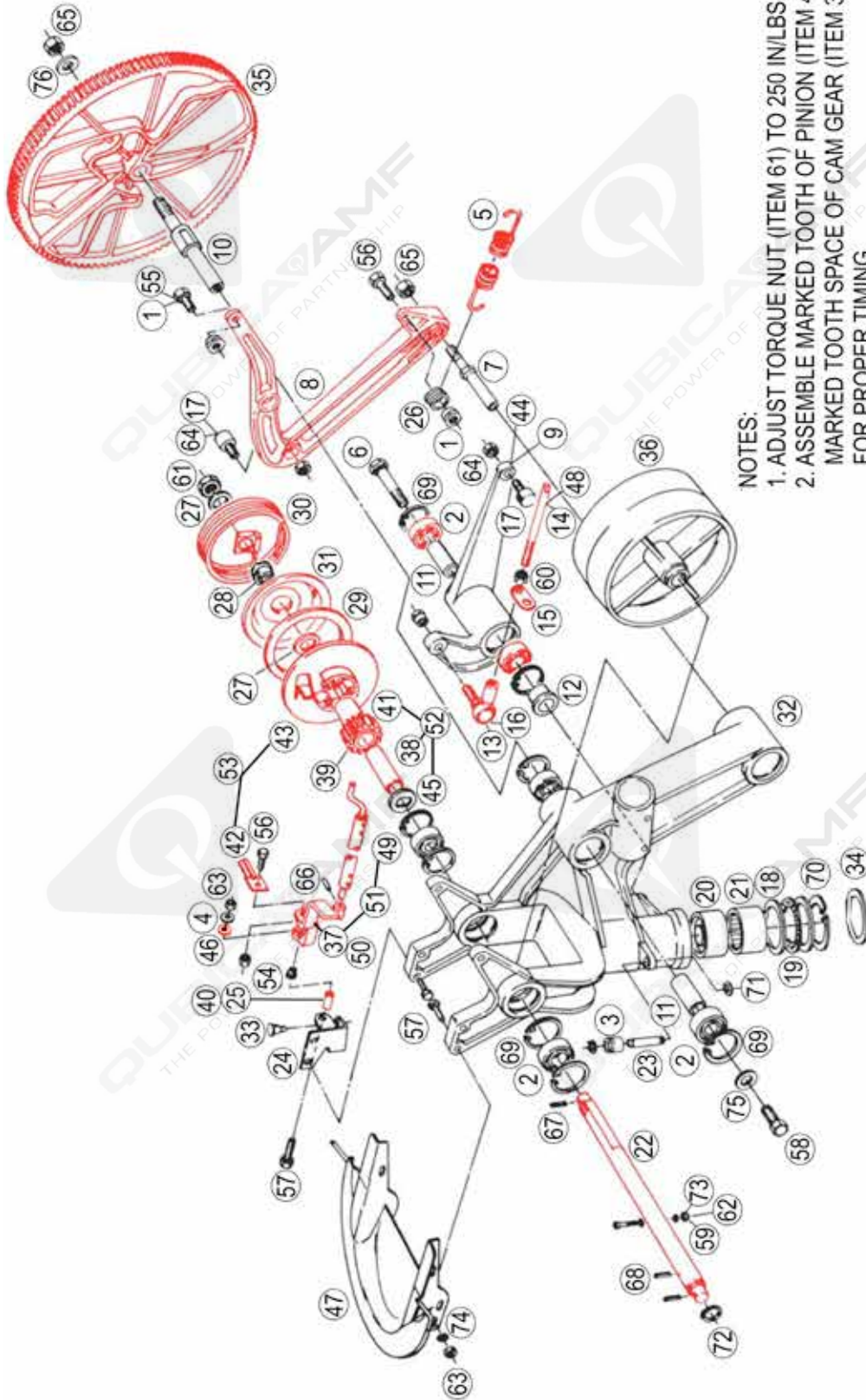
- | | |
|------------------|---------------------------------------|
| 784003000 | Rivet Installation/Handle Tool |
| 792502002 | Carpet Flat Tool |
| 792018020 | Magnetic Pick-Up Tool |
| 792501001 | Carpet Removal Pin |
| 792505005 | Spring Puller |



QUBICA  **AMF**
DISTRIBUTOR

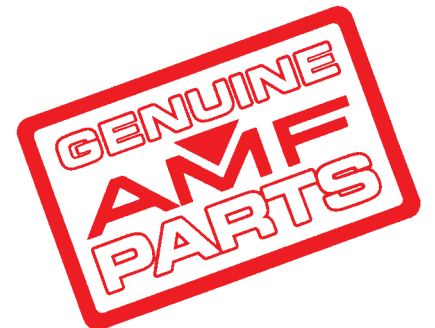


DISTRIBUTOR ASSEMBLY 1

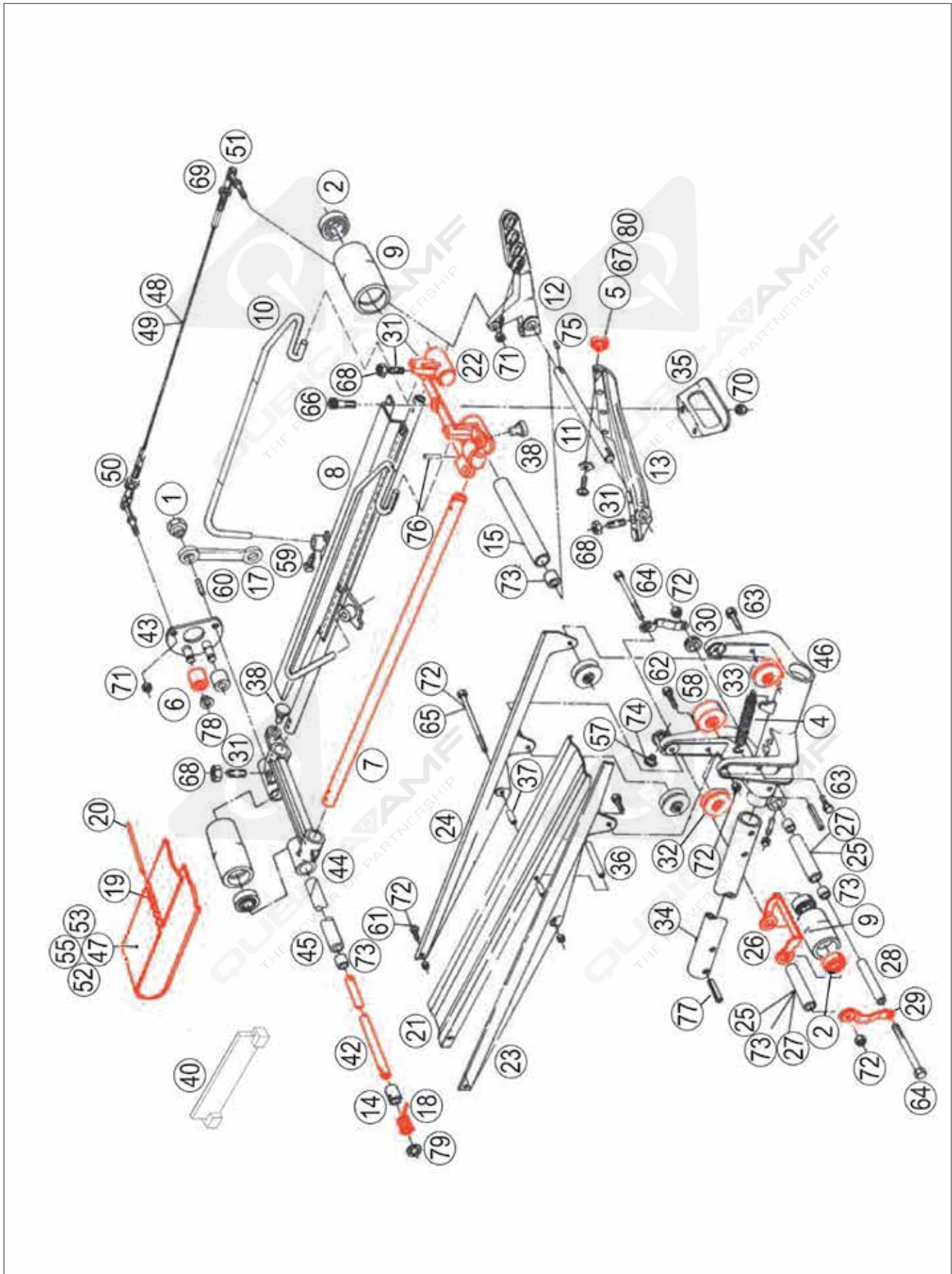


DISTRIBUTOR ASSEMBLY

ITEM	PART NUMBER	DESCRIPTION	ITEM	PART NUMBER	DESCRIPTION
1	000 022 173	Nut-Special	41	070 006 686	Pinion Gear Assembly
2	000 024 679	Bearing Bl .625 X 1.375	42	070 006 691	Stop Blades Trip Arm
3	000 026 081	Sleeve-Spring Post	43	070 006 692	Clutch Plate Assembly
4	000 026 865BG	Washer (Bag 10)	44	070 007 119	Drive Arm Assembly
5	070 006 034	Spring Linear Dist.	45	070 007 376BG	Wshr-Thrust (Bag 5)
6	070 006 048	Bolt Special	46	070 007 651BG	Washer Nylon Dist (Bag 10)
7	070 006 049	Shaft Arm Dist.	47	090 003 077	Orienter Pan Assembly Dist.
8	070 006 051	Arm Distributor	48	090 005 262	Rod Link Assy
9	070 006 052	Drive Arm	49	090 006 663	Trip Stop Rod Assy
10	070 006 061	Shaft Cam Supt Dist.	50	090 006 665	Csig Trip Supt Dist Slot No Bearing
11	070 006 064	Spacer Bearing Dist.	51	090 006 668	Trip Stop Rod And Support Casting Assy
12	070 006 065	Clamp Race Dist.	52	610 704 005	Pinion & Sleeve Assembly
13	070 006 066	Rod End Female Dist.			(incl Items 38, 41 & 45)
14	070 006 067	Rod Safety Link Dist	53	610 704 006	Clutch Plate Assembly Kit
15	070 006 068	Support Spring Dist.			(incl Items 42 & 43)
16	070 006 069	Nut Special Dist	54	701 712 097	Bearing Sp .375 X .628 0i
17	070 006 071	Cam Follower Dist.	55	809 849 100BG	Scr-Hx 1/4-20 X 5/8 (Bag 10)
18	070 006 073	Washer Thrust	56	809 849 125	Screw-Hex 1/4-20 X 3/4
19	070 006 074	Bearing Needle Thrust	57	809 849 205BG	Scr-Hx 1/4-20 X 1 1/4 (Bag 10)
20	070 006 075	Bearing Nd Cisd End 1 "Lg"	58	809 857 080BG	Scr-Hx 5/16-18 X 1/2 (Bag 10)
21	070 006 076	Bearing Needle Open End	59	810 239 240BG	Scr-Soc 10-24 X 1 1/2 (Bag 10)
22	070 006 077	Shaft Drive Dist.	60	831 565 002BG	Nut-Hex 3/8-16 Cd (Bag 10)
23	070 006 082	Pin Spring Post Dist	61	835 582 002	5/8-18 Unf Hex Thin Nut- Pltd
24	070 006 084	Bkrt Trip Stop	62	840 039 002BG	Nut-Flx-In #10-24 (Bag 10)
25	070 006 087	Sleeve Pivot Trip .955"	63	844 049 002BG	Nut-Stvr-Lk 1/4-20 (Bag 10)
26	070 006 111	Sleeve Spring Post	64	844 050 002BG	Nut-Stvr-Lk 1/4-28 (Bag 10)
27	070 006 121BG	Washr Dist. Clutch (Bag 10)	65	844 073 002BG	Nut-Stvr-Lk 1/2-13 (Bag 10)
28	070 006 125	Worm Adjusting	66	913 415 090BG	Pin Spring .094 X 9/16 (Bag 10)
29	070 006 126	Friction Disk	67	913 437 140BG	Pin-Spring .187 X 7/8 (Bag 10)
30	070 006 128	Spring Assembly	68	914 037 206BG	Spirol Pin 3/16 X 1 1/4 (Bag 10)
31	070 006 130	Clutch Plate	69	919 000 600BG	Ring-Ret. 5000-137 (Bag 10)
32	070 006 136	Casting & Bearing Assy	70	919 004 200BG	Ring-Ret. 5008-212 Bag(10)
33	070 006 142BG	Bumper (Bag 10)	71	919 005 300BG	Ring-Ret. 5100-37 (Bag 10)
34	070 006 143	Spacer	72	919 005 600BG	Ring-Ret. 5100-62 (Bag 10)
35	070 006 149	Cam Index Dist.	73	948 745 082BG	Wshr- 7/32 X 1/2 X 1/16 (Bag 10)
36	070 006 666	Pulley Dist. Belt Dr	74	948 753 102BG	Washer 9/32 X 5/8 X 1/16 (Bag 10)
37	070 006 667	Trip Casting With Bearing	75	948 761 112BG	Washer 11/32 X 11/16 X 1/16 (Bag 10)
38	070 006 676	Sleeve Dist Drive	76	948 975 172BG	Wshr-17/32 X 1 1/16 (Bag 10)
39	070 006 679	Bearing Sl .752 X .877 X 1.66			
40	070 006 685	Pivot Trip Assembly .603"			



DISTRIBUTOR ASSEMBLY 2

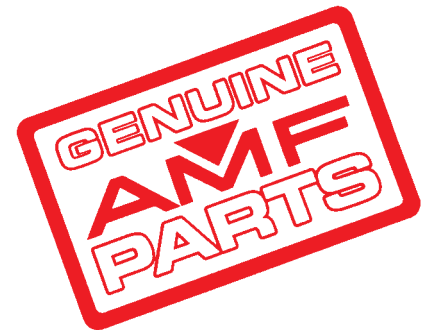


DISTRIBUTOR ASSEMBLY

ITEM	PART NUMBER	DESCRIPTION
1	000 022 173	Nut Special
2	000 024 679	Bearing Bl .625 X 1.375
N/S	000 025 281	Riveted Bearing Respot Cell
4	000 026 031	Spring
5	000 026 251BG	Bearing Respot Cell 30 (Bag 10)
6	070 001 857BG	Roller Nylon (Bag 2)
7	070 006 004	Tube Distributor
8	070 006 009	Support Belt Runner Assembly
9	070 006 011	Pulley Assembly Dist.
10	070 006 013	Guide Pin Dist.
11	070 006 014	Shaft Distributor
12	070 006 015	Trip Arm Assembly RH (10 Side)
13	070 006 016	Trip Arm Assembly LH (7 Side)
14	070 006 019	Collar Spring Dist.
15	070 006 021	Tube Assembly Front-Dist.
16	070 006 022	Tube Assembly Middle Dist
17	070 006 029	Link Connecting Dist
18	070 006 035	Spring Dist Carriage
19	070 006 036BG	Lacing Dist. Belt
20	070 006 037BG	Pin Dist. Belt
21	070 006 042	Runner Belt Rear
22	070 006 055	Carriage Front Dist.
23	070 006 103	Support Guide LH (7 Side)
24	070 006 104	Support Guide RH
25	070 006 105	Tube Assembly Dist. Carriage
26	070 006 106	Bkt Tracking Dist
27	070 006 107	Tube Belt Tightener Dist
28	070 006 108	Spacer Roller Assy Dist
29	070 006 109	Link Roller Assembly Dist
30	070 006 111	Sleeve Spring Post
31	070 006 116	Stud Clamp
32	070 006 117	Bearing Grooved Concentric
33	070 006 118	Bearing Grooved Eccentric
34	070 006 120	Carriage Supprot Tube
35	070 006 137	Guard Belt Dist.
36	070 006 139	Spacer Inner Dist.
37	070 006 140	Spacer Outer Dist.
38	070 006 142BG	Bumper
40	070 006 201	Belt Guide
42	070 006 659	Shaft Carriage Assembly

ITEM	PART NUMBER	DESCRIPTION
43	070 006 661	Trip Rocker Arm Weld
44	070 006 672	Carriage Casting
45	070 006 683	Tube Assembly Rear Casting
46	070 006 688	Support Carriage Assembly
47*	070 006 757	82/70 Dist Belt Black Rough Top
48	070 011 170	Trip Cable Assy
49	070 011 171	Cable Assy
50	070 011 172	Ball Joint 7/16
51	070 011 173	Ball Joint 9/16
52*	070 011 905	Grey Gripper (3 Belt Roll)
53*	070 011 909	Poly V Dist Belt
54	610 704 032	Distributor Assembly
55*	610 709 811	82/70 Dist Belt Black Rough Top (For 3 Belts)
57	701 710 098	Bearing Sp .313
58**	701 849 124	Bearing Bl 1/4 Thrd Bore
59	806 249 060BG	Scr-St sq hd 1/4-20 X 3/8 (Bag 10)
60	807 249 160BG	Scr-Stso 1/4-20 X 1 Cp (Bag 10)
61	808 549 200BG	Scr-Sobt 1/4-20 X 1 1/4 (Bag 10)
62	809 849 125	Screw-Hex 1/4-20 X 3/4
63	809 849 165BG	1/4-20 X 1 Screw Hh Gr8 Blk
64	809 849 605BG	Scr-Hx 1/4-20 X 3/4 (Bag 10)
65	809 849 885BG	Scr-Hx 1/4-20 X 5 1/2 (Bag 10)
66	810 239 160BG	Scr-Soc 10-24 X 1 (Bag 10)
67	813 540 082BG	Screw 10-32 X 1/2Ct (Bag 10)
68	834 549 002	1/4-20 Steel Hex Nut, Pltd
69	835 549 002BG	Nut-Hx-Jam 1/4-20 (Bag 10)
70	840 039 002BG	Nut-Fx-Tn #10-24 (Bag 10)
71	840 040 002BG	Nut-Fx-Tn #10-32 (Bag 10)
72	844 049 002BG	Nut-Sw-Lk 1/4-20 (Bag 10)
73	900 106 081BG	Brg Sl .378 X .503 X 1/2 (Bag 5)
74	900 206 091BG	Brg Fl .378 X .503 X 9/16 Bag(5)
75	907 000 100BG	Key-Hy Pro #403 (Bag 10)
76	913 437 140BG	Pin Spring .187 X 7/8 (Bag 10)
77	913 464 280BG	Pin Spring .375 X 1 3/4 (Bag 10)
78	919 005 000BG	Ring Ret. 5100-25 (Bag 10)
79	919 006 800BG	Ring Ret. 5115-37 (Bag 10)
80	957 100 002BG	Washer Shockproof (Bag 10)

* Suggested Belt Length: Rough Top & Gripper Belts: 117" ± 1/2" Nitrile & Poly V Belts: 116" ± 1/4"
 ** Note: Roller must be steel bearing with AMF scoring.



PINION & SLEEVE LUBE



Product Code 715010205

Features:

- Extends the service interval of clutch parts
- Stays where you put it and does not run
- Simply apply a thin film on shaft, sleeve pinion bushing, washer with flats and stop blades

ORIENTOR PAN COVER

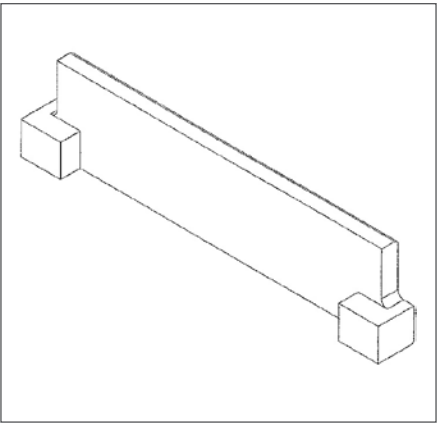


Product Code 070011910

Features:

- Cleans pins as they transfer from elevator
- Slow down pins that roll onto distributor too fast thus eliminating many pile-ups
- Tool-free installation that install in seconds
- Machine wash and dry

BELT GUIDE



Product Code 070006201

Features:

- Raises the belt where the pin transfers from the O-pan to the belt
- Eliminates most calls related to pin spacing & transfer
- Quick, tool-free installation
- Perfect for most low-profile belts

CARL KLAUCK DISTRIBUTOR TOOL



Product Code 000200000

Features:

- Allows easy relief of belt tension without removing spring

SPECIAL TOOLS - DISTRIBUTOR

PART NUMBER	DESCRIPTION
792505005	Spring Puller
088001216	Frame/Sweep/Dist Gauge
000200000	Carl Klauck Distributor Tool
030003542	Clipper Belt Lacer
792516021	Rough Top Belt Skiver
792517037	Torpedo Level

CLUTCH KIT



Product Code 612700001

Features:

- Everything you need to build a fresh, new clutch
- Includes all 10 items in clutch
- Priced right

TRIP ROD & CAST ASSEMBLY

Features:

- Slot and bolt connection
- 0.5" solid steel rod
- Added weight helps release stop blade easier
- Allows better clutch adjustment

Product Code 090006668

CLUTCH REPAIR KIT

Features:

- New Backing Plate and Trip Blade
- Both wear items in a convenient Kit
- Made to AMF's exact specifications

Product Code 610704006

82-70 BELTS

POLY V

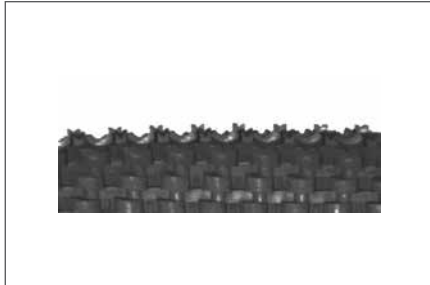


This belt takes the hassle out of pins sliding on the distributor or piling up. The Poly V conveyor style tread pattern, low profile, design and tacky surface makes this an ideal belt for high lineage centers that apply a high volume of lane oil. Poly V's are only sold individually and include stainless steel lacing and pins.

Poly V Belt

Product Code 070011909

THE GRIPPER

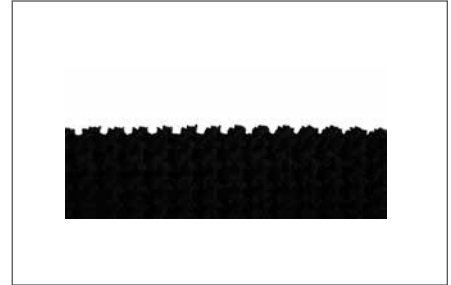


QubicaAMF's Gripper belt takes the hassle out of pins sliding on the distributor or piling up. The Gripper belt's aggressive tread pattern, low profile design and tacky surface grabs even the slickest pins covered in today's high tech synthetic-blend oils. The Gripper is an ideal belt for high lineage centers that apply a high volume of lane oil.

The Gripper Belt - Roll of 3 belts

Product Code 070011905

ROUGH-TOP



QubicaAMF's popular Rough-Top belt is made of black PVC with a rough top design. This tread design provides a high coefficient of traction to minimize pin jams. The Rough-Top is ideal for high lineage centers using standard oils.

Rough Top Belt

Product Code 070006757

Rough Top Belt - Roll of 3 belts

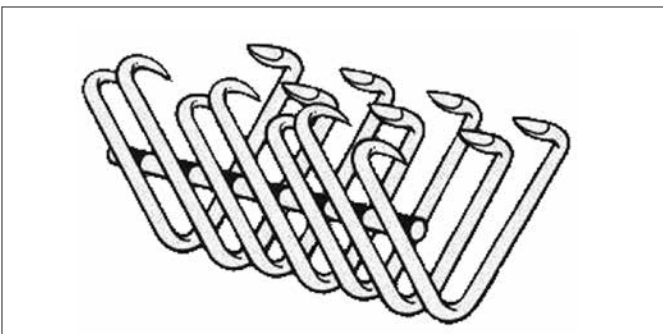
Product Code 610709811

82-30 BELTS

POLY V BELT

Product Code 030006789

UNIBAR BELT LACING & PIN



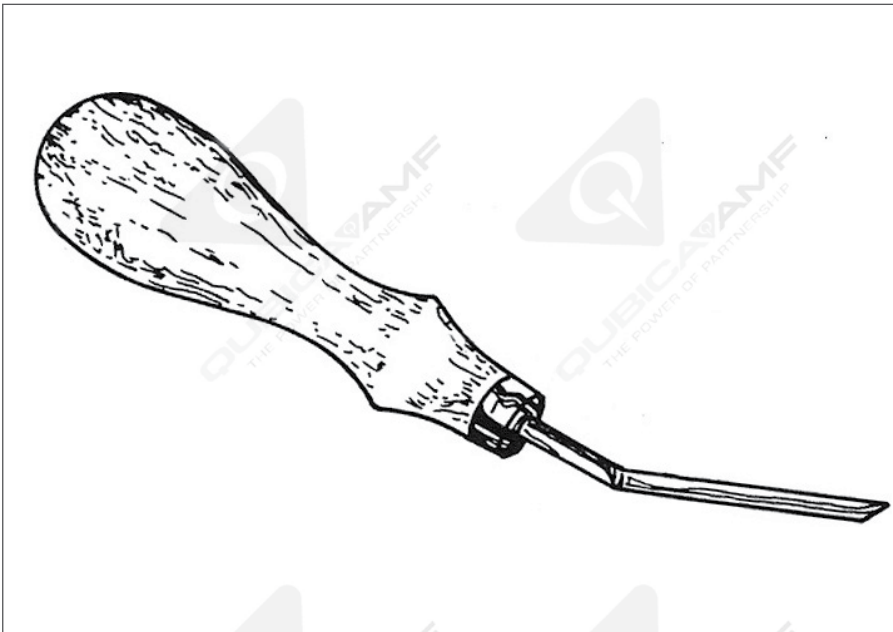
This is QubicaAMF's "High Performance" option for mechanics who are tired of distributor belt lacing issues.

The lacing is 100% Stainless Steel to prevent corrosion. The puncture points are longer, to bite through the entire belt and use as much of the belt's thickness as possible to prevent pull-out. A "unibar" attaches across every hook to make them all act as a team, lock them into position, and ensure excellent belt tracking. With bulk packaging, it reduces cost. This is a universal replacement that works in your belt lacing tool. So good, we equip every Poly-V Distributor Belt with it - for brand-new XLI's back to the earliest 82/30. Twelve 12" sections, includes pins and instructions.

Product Code 088000187 Single Belt Lacing
088000176 Single Belt Pin
070011912 Pack of 12 lacing Sections & Pins
030003542 Clip Belt Lacer ADAP

ROUGH TOP BELT SKIVER

ROUGH TOP BELT SKIVER



EASY TO USE: Hold the skiver at a 30 degree angle and move across the belt; raised surface is zipped away.

SAFE ALTERNATIVE to grinding wheels, razor blades and knives for the removal of raised surface belting.

BLADE CAN BE RE-SHARPENED to restore the blade to the original sharpness.

PORTABLE: Belts can be skived at any location.

- Skiving rough top and other raised surface belting is an important step in achieving maximum benefits/lift from belt splices. The rough top belt skiver removes raised surfaces. within seconds, leaving a smooth surface for selecting and installing belt fasteners.
- The rough top belt skiver is a safe and effective alternative to other methods of removing raised surfaces such as grinding wheels, razor blades or knives.
- Being a hand held tool, this job can be done virtually anywhere.

Product Code **792516021**

INSTRUCTIONS:

- 1** Place belt on solid surface and hold securely with free hand. Note: keep hand out of the path of the skiver
- 2** Hold skiver at approximately a 30-degree angle to the belt. (fig. 1) Slowly begin cutting into the belt surface just under the raised top.
- 3** Maintain an even pressure and move skiver across the belt. (fig.2) If held at proper angle, it will cut through the belt easily.
- 4** Skive rough top back on inch from each end to allow clearance for lacer jaws during lacing operation.

TO SHARPEN:

- 1** Place 1/4" fine stone of emery board in cutting channel. Draw away from tool.
- 2** After tool is sharp, draw stone across bottom to remove burrs.

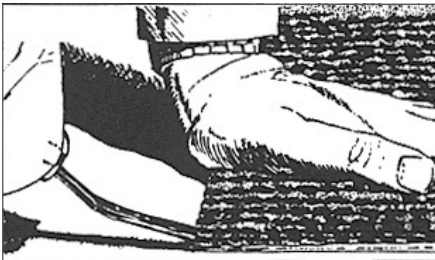


Fig. 1



Fig. 2

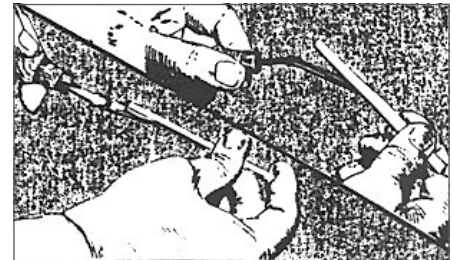
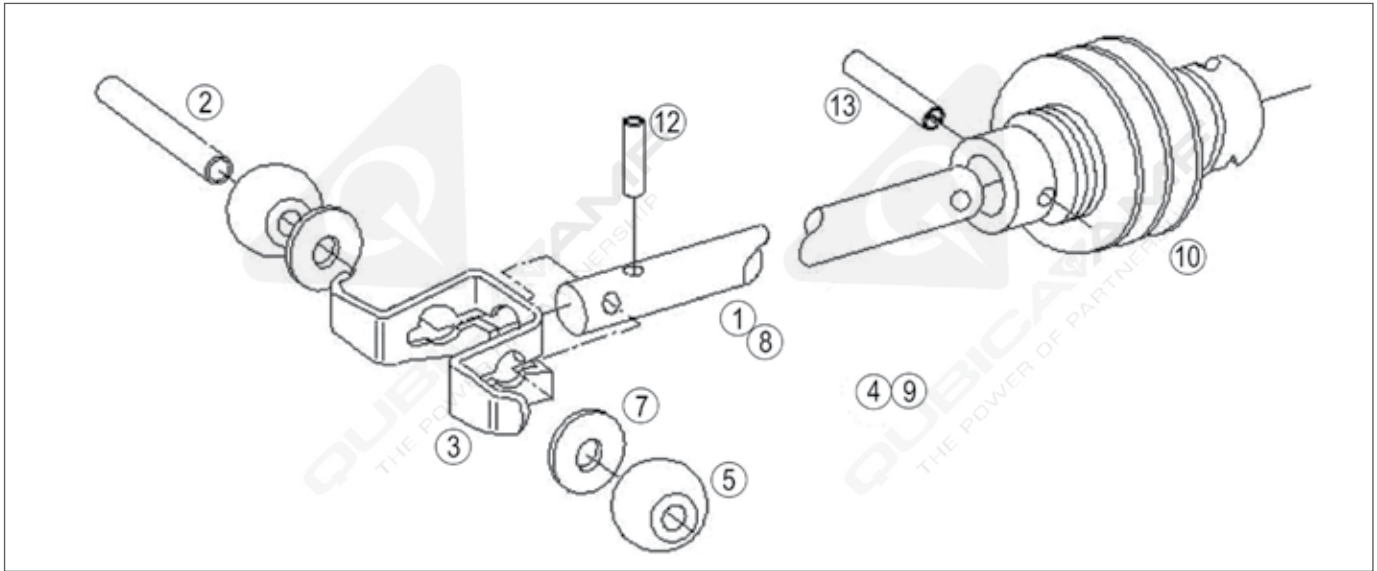


Fig. 3

DISTRIBUTOR DRIVE SHAFT ASSEMBLY

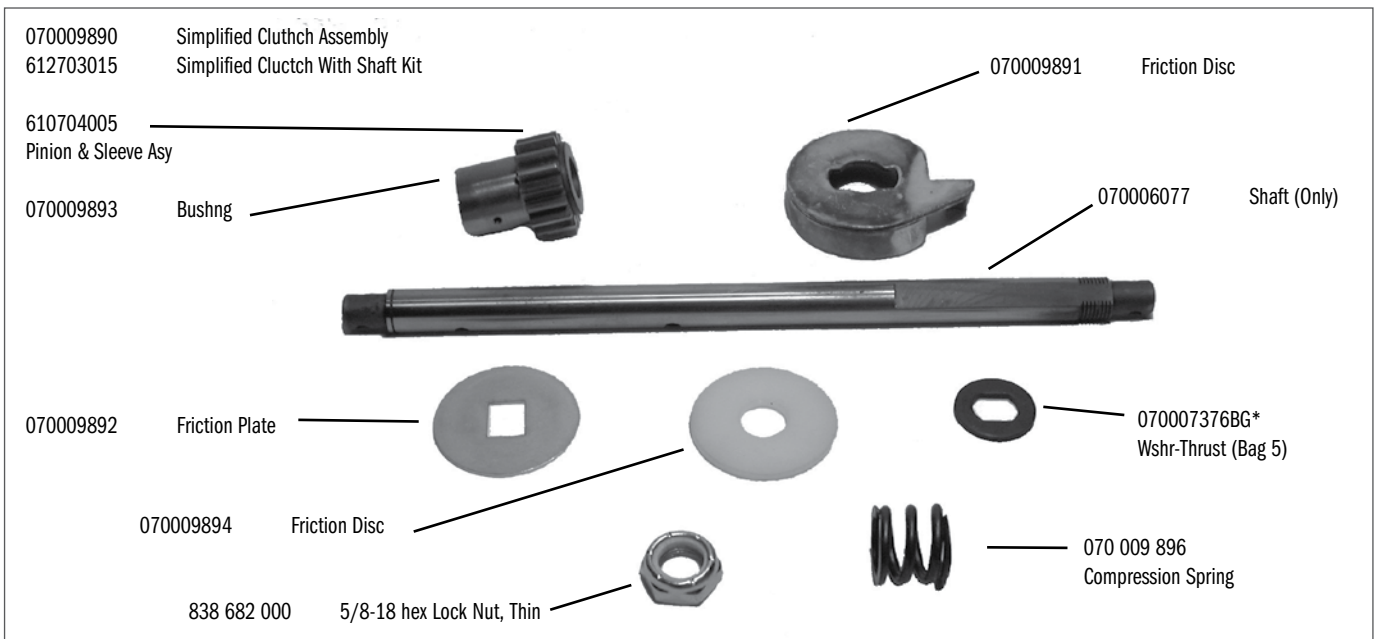
DISTRIBUTOR DRIVE SHAFT ASSEMBLY

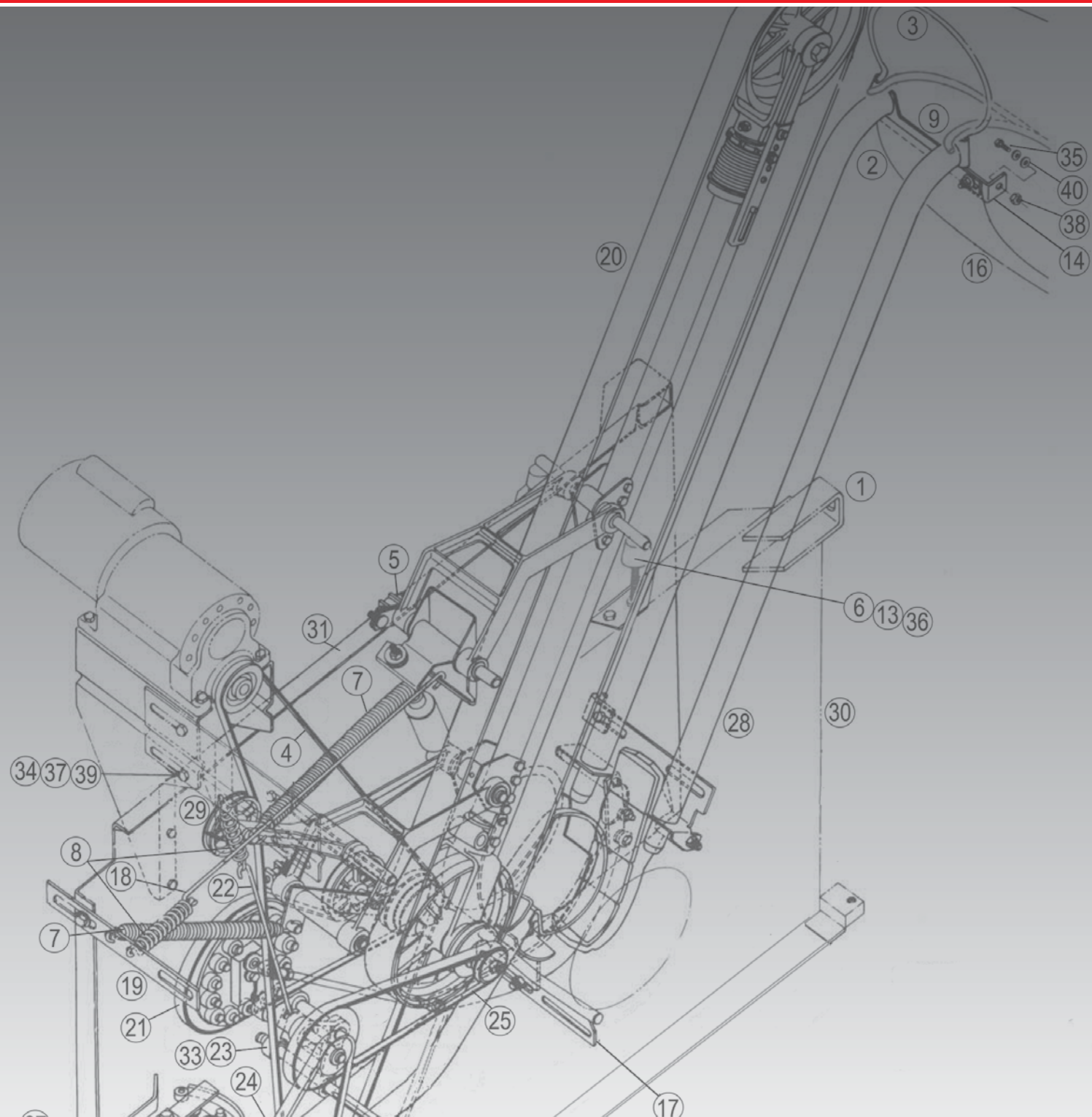


ITEM	PART NUMBER	DESCRIPTION
1	000 022 369	Drive Shaft-LH (Even)
2	000 022 717	Pin-Drive Shaft
3	000 024 892	Retainer-Ball
4	000 024 893	Drive Shaft Assembly-LH 82/70 (Even)
5	000 026 461BG	Brg Uniball .25 X .687 (Bag 2)
N/S	000 027 390	Dist Drive Housing
7	000 029 073BG	Washer (Bag 10)
8	070 006 101	Drive Shaft-RH (Odd)

ITEM	PART NUMBER	DESCRIPTION
9	070 006 102	Drive Shaft Assembly-RH 82/70 (Odd)
10	070 007 586	U Joint- Steel
N/S	807 358 060BG	Screw-Stso 5/16-24 X 3/8 K (Bag 10)
12	913 423 120BG	Pin Spring .125 X 3/4 (Bag 10)
13	913 437 120BG	Pin Spring .187 X 3/4 (Bag 10)

SIMPLIFIED CLUTCH ASSEMBLY



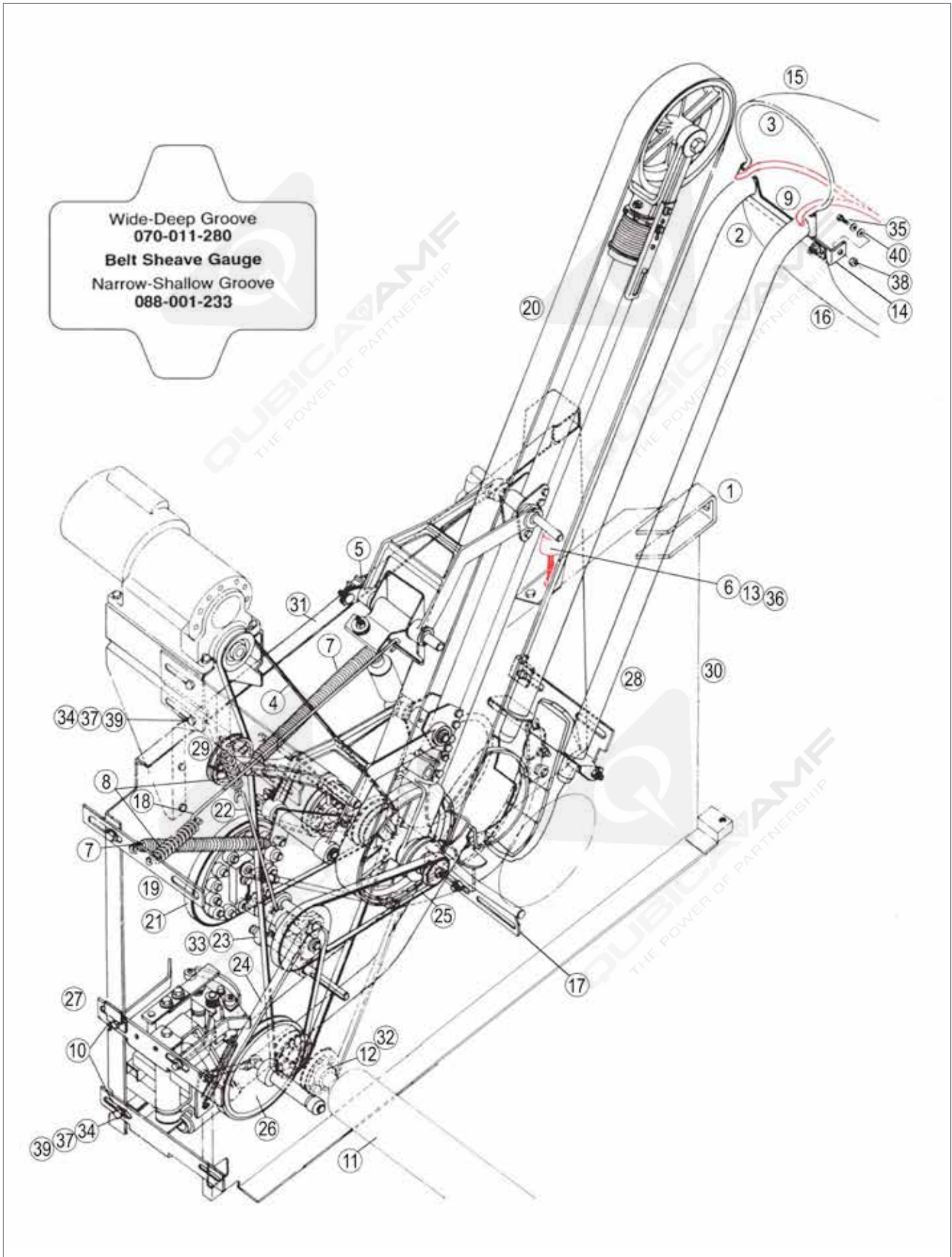


QUBICA  **AMF**

BALL LIFT



POSITIVE BALL LIFT



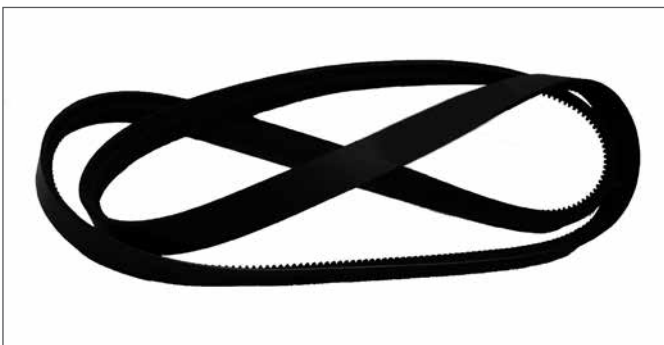
POSITIVE BALL LIFT

ITEM	PART NUMBER	DESCRIPTION
1	000 021 792	Washer Frame
2	000 021 813	Wiper Support
3	000 021 814	Ring
4	000 022 099	Belt V-Pitch Lt 1133 A112
5	000 024 610	Stud Clamp
6	000 024 641	Stop Bumper
7	000 024 673	Spring Dist
8	000 026 031	Spring
9	000 029 629	Track Weld Downsweep
10	000 029 910	Shim-3/8 Slot X 1 1/8 Od
11	070 002 034	Roller Assembly Rear
12	070 002 097	Sheave Carpet Drive
13	070 004 642	Brkt Stop Ball Lift
14	070 004 654	Brkt Track Support
15	070 004 669	Cloth Ball Wiper
16	070 004 670	Dust Trap
17	070 008 207	Rail Weld
18	070 011 034	Extension Rod
19	070 011 035	Strap
20	070 011 052	Ball Lift Assembly
21	070 011 064	V-Belt Gates #1450
22	070 011 106	Spring Extension
23	070 011 132	Belt Tensioner Assembly
24	070 011 147	V-Belt Gates #1380
25	070 011 148	V-BELT #1400
26	070 011 178	Crank Assembly
27	070 011 310	Supt Be Mtr Guard

ITEM	PART NUMBER	DESCRIPTION
28	070 011 414	Track Rail Assembly Pbl
29	070 011 810	Belt Tightner Pbl
30	090 004 126	Kickback Rh/Rh
31	090 004 129	Kickback Lh/Lh
32	806 265 160BG	Screw-Stsq 3/8-16 X 1 Cp (Bag 10)
33	807 265 060	3/8-3/16 X 3/8 Socket Set,Cup Pt
34	809 857 165BG	Screw-Hex 5/16-18 X 1 (Bag 10)
35	809 865 285	Screw-Hex 3/8-16 X 1 3/4
36	835 558 002BG	Nut-Hex-Jam 5/16 -24 (Bag 10)
37	844 057 002BG	5/16-18 Stover Locknut (Bag 10)
38	844 065 002BG	Nut-Stvr 3/8-16 (Bag 10)
39	948 761 112BG	5/16 Wrought Washer (Bag 10)
40	948 767 132BG	Washer 13/32 X 13/16 X 1/16 (Bag 10)
Not Shown		
	070 011 005	Steel Door Ring Lh (Even)
	070 011 006	Steel Door Ring Rh (Odd)
	070 011 641-01	Urethane Door Ring Lh (Even)
	070 011 642-01	Urethane Door Ring Rh (Odd)
	610 088 086	PBL Mini Kit (with Adj Drive Link)
	610 088 087	PBL Full Kit (with LBS)
	610 704 098	Pbl Template & Drill Bits (Purchase One For Entire Center When Converting To Pbl Full Or Pbl Mini)
	612 070 013*	Ball Lift Pressure Kit

* Kit includes: Plate - 070 011 832, Turn Buckle - 730 058 091, Chain - 705 890 108, Spring - 000 021 204, Strap - 070 011 035, Jam Nut - 835 565 002.

GRIPPER BALL LIFT BELT



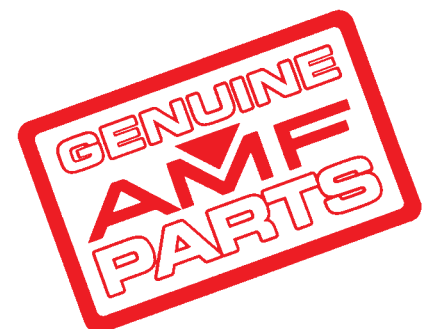
Features:

- The best belt for heavy lane oil conditions, oil resistant
- Traditional Gates Rubber belt strength
- Cogged V-Guide improves tracking , flexibility, and service life
- Works with all PBL and Kicker "Shallow-Narrow" lifts
- Easy to clean - just use clean dry rag
- Superior materials and engineering throughout

Product Code 088001233

SPECIAL TOOLS - BALL LIFT

- 792505005 Spring Puller**
- 793511045 Spanner Wrench**
- 792514040 Ball Lift Bearing Installation Tool**
- 792514041 Ball Lift Bearing Removal Tool**



BALL LIFT ASSEMBLY

ITEM	PART NUMBER	DESCRIPTION
1	000 021 408	Idler Pulley Asm
2	000 024 603	Spring Comp. Ball Lift
3	000 024 605	Retainer Lower
4	000 024 606	Support
5	000 024 607	Tube
6	000 024 608	Retainer Upper
7	000 024 645	Upper Shaft
8	000 024 647	Roller
9	000 024 648	Pin Pivot
10	000 024 650	Roller Assembly
11	000 024 651	Link Assembly
12	000 024 659	Yoke Lower
13	000 024 661	Pulley
14	000 024 716	Spring Holder
15	000 024 720	Link Assembly Upper
16	000 024 811	Pulley Assembly RH 5" (Odd)
17	000 024 812	Pulley Assembly LH 5" (Even)
18	000 027 642	Washer
19	000 027 998	Retainer
20	000 028 057	Retainer Cush Guide
21	000 028 737	Shaft
22	000 028 771	Sheave 4 1/4"
23	000 029 613	Rail
24	000 029 660	Shaft
25	000 029 661	Shock Absorber
26	070 001 995	Yoke Assembly w/ Bearing Nut
27*	070 006 320	Shaft Assy Adj 9 1/2" To 11" Spacing
28*	070 006 325	Shaft Assy Fixed 9 1/2" To 11" Spacing
29*	070 006 328	Shaft Assy Fixed 11" To 12 5/8" Spacing
30*	070 006 329	Shaft Assy Adj 11" To 12 5/8" Spacing
31	070 006 748	Spacer
32	070 007 192BG	Washer Respot Cell Assy (Bag 10)
33	070 007 291	Bearing Cl .9995 X 1.312 X 1
34	070 008 204	Sheave 3 1/2"
35	070 008 205	Sheave Assembly Ball Lift 3 1/2
36	070 008 210	Sheave
37	070 008 211	Sheave
38	070 008 212	Spacer
39	070 008 215	Belt Tightener Weld
40	070 008 217	Spacer
41	070 008 218	Spacer
42	070 011 002	Support
43	070 011 004	Tube & Support Assembly
44	070 011 040BG	Roller Ratchet (Bag 10)
45	070 011 041	Belt Tightener Bracket Assy
46	070 011 042	Belt Tightner Assy
47	070 011 052	Ball Lift Assembly
48	070 011 280	Liftbelt For Wide Deep Groove

ITEM	PART NUMBER	DESCRIPTION
49	070 011 289	Bracket Shock Absorber
50	070 011 323	Shock Absorber Assembly
51**	070 011 795	Shaft Upper D
52**	070 011 796	Shaft Lower D
53**	070 011 797	Bearing Ball D Bore
54	070 011 832	Pressure Plate For Ball Lift
55	088 001 233	Gripper Ball Lift Belt- (Narrow Shallow Groove)
56	090 003 401	Clutch Race With Slot
57	146 005 277	Washer
58	610 900 709	Straight Shaft & Spacer Kit Lower
59	610 900 711	Straight Shaft & Spacer Kit Upper
60	610 905 704	Straight Bore Bearing & Spacer Kit
61	612 070 013	Ball Lift Pressure Kit
62	700 107 170	Adhesve-Loctite 609
63	710 501 007	Fitting-Almte 1792B
64	806 265 160BG	Scr-Stsq 3/8-16 X 1 Cp (Bag 10)
65	807 265 060	3/8-3/16 X 3/8 Socket Set, Cup Pt
66	807 265 080	Scr-Stsq3/8-16 X 1/2 Cp (Bag 10)
67	808 849 565BG	Screw Fl Soc Hd Cap Bag (10)
68	809 849 365BG	Scr-Hx 1/4-20 X 2 1/4 (Bag 10)
69	809 865 165BG	Screw 3/8-16 X 1 (Bag 10)
70	809 865 445BG	Scr-Hx 3/8-16 X 2 3/4 (Bag 10)
71	831 566 002BG	Nut-Hex 3/8-24 (Bag 10)
72	839 549 002BG	Nut-Flx-Tk 1/4-20 Ht (Bag 10)
73	839 665 002BG	Nut-Flx 3/8-16 (Bag 10)
74	840 057 002BG	Nut-Flex Thin 5/16-18 (Bag 10)
75	845 100 000BG	Nut-Lock-Bearing N-10 (Bag 10)
76	856 070 002BG	Nut-Flanged 7/16-20 (Bag 10)
77	900 110 121BG	Brg Sl .628 X 3/4 Lg (Bag 5)
78	900 112 161BG	Brg Sl .753 X 1 (Bag 5)
79	900 112 203BG	Brg Sl .753 X 1 x 1 1/4-Brnz (Bag 5)
80	900 206 081BG	Brg Fl .378 X .688 X 1/2 (Bag 5)
81	900 208 161BG	Brg Fl .503 X .875 (Bag 5)
82	900 212 161BG	Brg Fl .753 X 1.003 X 1 (Bag 5)
83	919 005 200BG	Ring-Ret. 5100-31 (Bag 10)
84	919 005 600BG	Ring-Ret. 5100-62 (Bag 10)
85	919 005 800BG	Ring-Ret. 5100-75 (Bag 10)
86	948 761 112BG	Washer 11/32 X 11/16 X 1/16 (Bag 10)
87	948 983 212BG	Wshr-21/32 X 1 5/16 (Bag 10)
88	951 164 002BG	Wshr-Lk-Split 3/8 (Bag 10)
Not Shown	950 001 008	Spacer

* 9-1/2"=241.30 MM, 11"=279.40 MM, 12-5/8"=320.68 MM, 14"=355.6 MM, 3-1/2-88.9 MM, 4-1/4"=107.95 MM.

Refer to view that matches your Ball Lift Assembly for item numbers.

Adjustable Ball Lift Support Shafts (Items 27 thru 30) are provided to allow alignment of the Ball Lift to the track rails.

Adjustment is required when the Shaft Supports on the metal Kickback Assemblies are not aligned.

Alignment is achieved by turning plates on the Support Shaft Assemblies until the plates are parallel to the direction of offset. (See view A).

** Optional Replacement Kit for 070 011 796 is 610 900 708 - D Bore Shaft & Bearing Kit Lower (2 Bearings / 1 Shaft / 2 Spacers).

Optional Replacement Kit for 070 011 795 is 610 900 714 - D Bore Shaft & Bearing Kit Upper (2 Bearings / 1 Shaft / 2 Spacers).

Optional Replacement Kit for 070 011 797 is 610 905 703 - D Bore Bearing & Spacer Kit (1 Bearing / 1 Spacer).

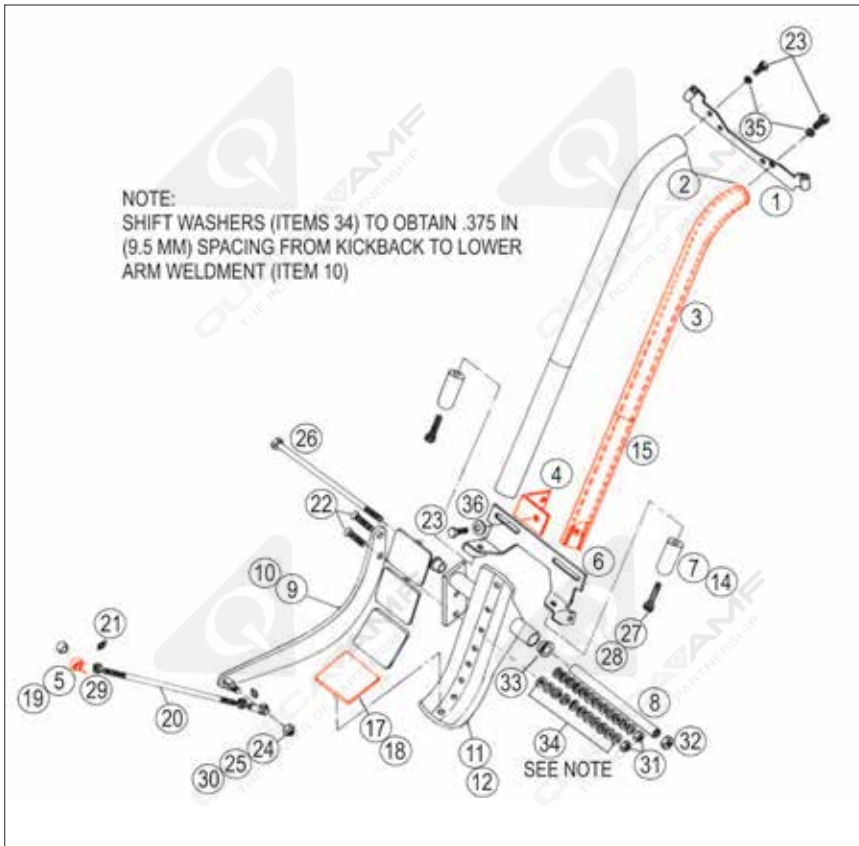
Direct Replacement for 070 006 746 is 610 900 709 - Straight Bore Shaft & Spacer Kit Lower (2 Bearings / 1 Shaft / 2 Spacers).

Direct Replacement for 070 006 747 is 610 900 711 - Straight Bore Shaft & Spacer Kit Upper (2 Bearings / 1 Shaft / 2 Spacers).

Direct Replacement for 070 006 699 is 610 905 704 - Straight Bore Bearing & Spacer Kit (1 Bearing / 1 Spacer).



TRACK RAIL ASSEMBLY



GRIPPER KIT & GRIPPER REPLACEMENT PARTS

Gripper PBL kit
Product Code 610049510

Thimble***
Product Code 088001230

Clear Rail Cover (Lower)***
Product Code 088001231

Black Rail Cover (Upper)
Product Code 088001232

Ball Lift Belt
Product Code 088001233

Adjustable Lift Support
Product Code 000024606

TRACK RAIL ASSEMBLY

ITEM	PART NUMBER	DESCRIPTION
1	000 021 813	Wiper Support
2	000 024 663	Cover Track Upper
3	000 024 666	Track Rail Weld
4	000 024 668	Track Support Bracket
5	000 026 446	Rod End
6	070 008 191	Brkt Ball Lift
7	070 011 018	Ball Guide
8	070 011 063	Shaft
9	070 011 218	Arm Lever Weldment
10*	070 011 375	Lever Arm Assembly-Std
11	070 011 411	Weld Lift Arm Track Assembly
12	070 011 413	Lift Assembly-Trk Assembly Pbl
13	070 011 440	Track Cover Lower
14***	088 001 230	Thimble
15***	088 001 231	Clear Rail Cover
15a	088 001 232	Black Rail Cover
17	070 002 784	Stick N Slick Cup Liner
18	090 002 024	Liner
19	090 005 250	Rod End

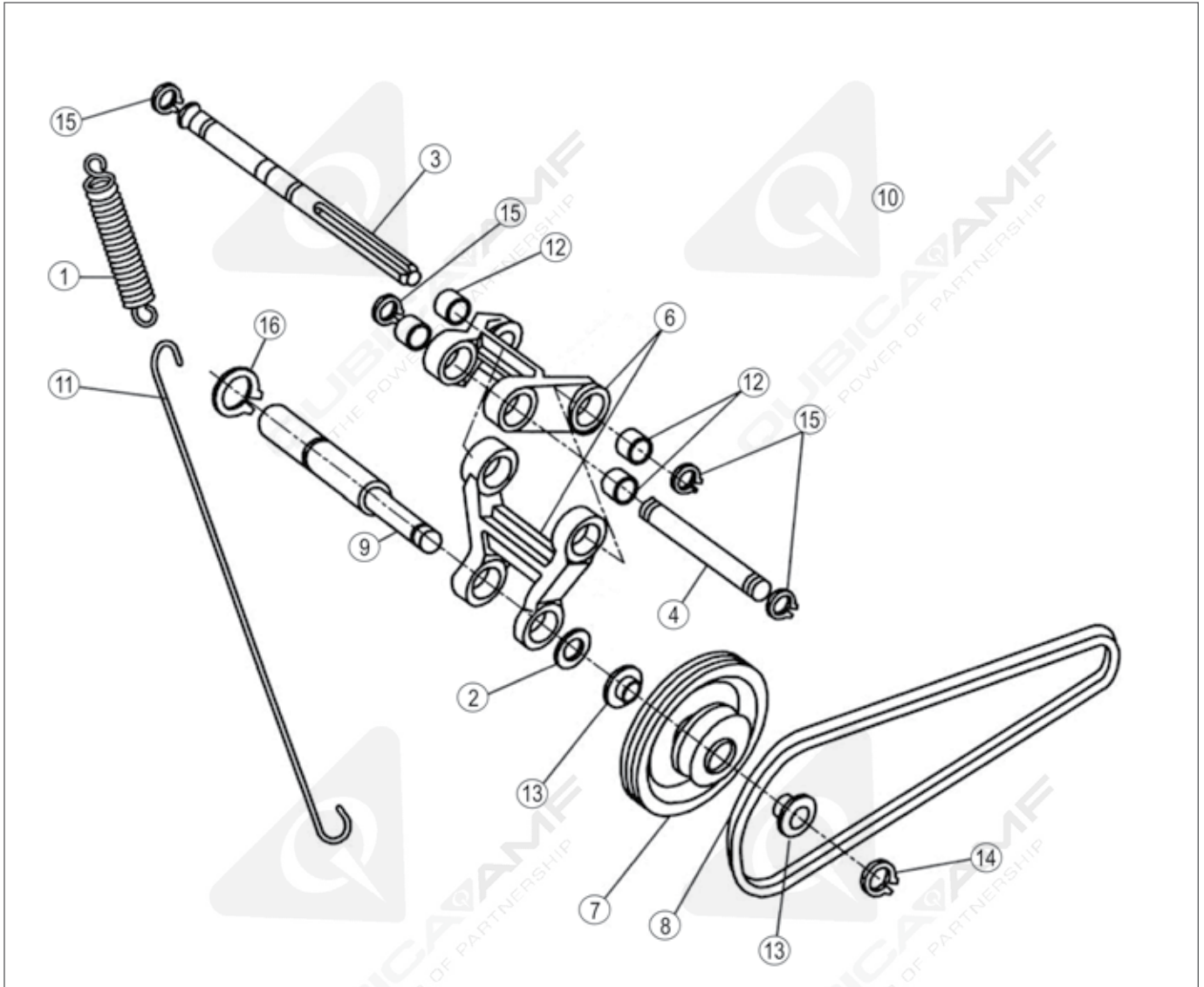
ITEM	PART NUMBER	DESCRIPTION
20	090 005 259	Rod Assy
21	710 502 010	Fittng-Heim Lu640
22	808 857 280BG	Screw Fsh 5/16-18 X 1 3/4 (Bag 10)
23	809 865 165BG	Screw-Hex 3/8-16 X 1 (Bag 10)
24*	809 865 205BG	Screw-Hex 3/8-16 X 1 1/4 (Bag 10)
25*	809 865 325BG	Screw-Hex 3/8-16 X 2 (Bag 10)
26	809 865 992BG	Screw Hexhdcp 3/8-16 X 9 (Bag 10)
27**	810 265 400BG	Screw-Schd 3/8-16 X 2 1/2 (Bag 10)
28**	810 365 401BG	Screw-Shc Lk 3/8-16 X 2 1/2 (Bag 10)
29	835 566 002	3/8-24 Hex Stl Thin Nut
30	838 866 002BG	Nut-Hex-Esn-Trn 3/8-24 (Bag 10)
31	844 057 002BG	5/16-18 Stover Locknut (Bag 10)
32	844 065 002BG	Nut-Stvr 3/8-16 (Bag 10)
33	900 210 161BG	Bearing Fl Bz .628 X 1 (Bag 5)
34	948 767 132BG	Washer 13/32 X 13/16 X 1/16 (Bag 10)
35	951 164 002BG	Washer-Lk-Split 3/8 (Bag 10)
36	958 584 002	Washer-Shkprf

* Includes one 070 011 218 Lever Weldment and one 838 866 002 Nut

** In some older installations the Track Rail Weldments may require fine thread bolts. In these cases item #23 should use part number 809 866 165 Screw-Hx Hd 3/8-24 x 1. Items #27 and #28 should use part number 810 366 401 Screw-Schd Lk 3/8-24 x 2-1/2.

*** 088 001 230 Thimble must be used when installing 088 001 231 Clear Rail Cover.

PBL BELT TENSIONER ASSEMBLY - NEW VERSION

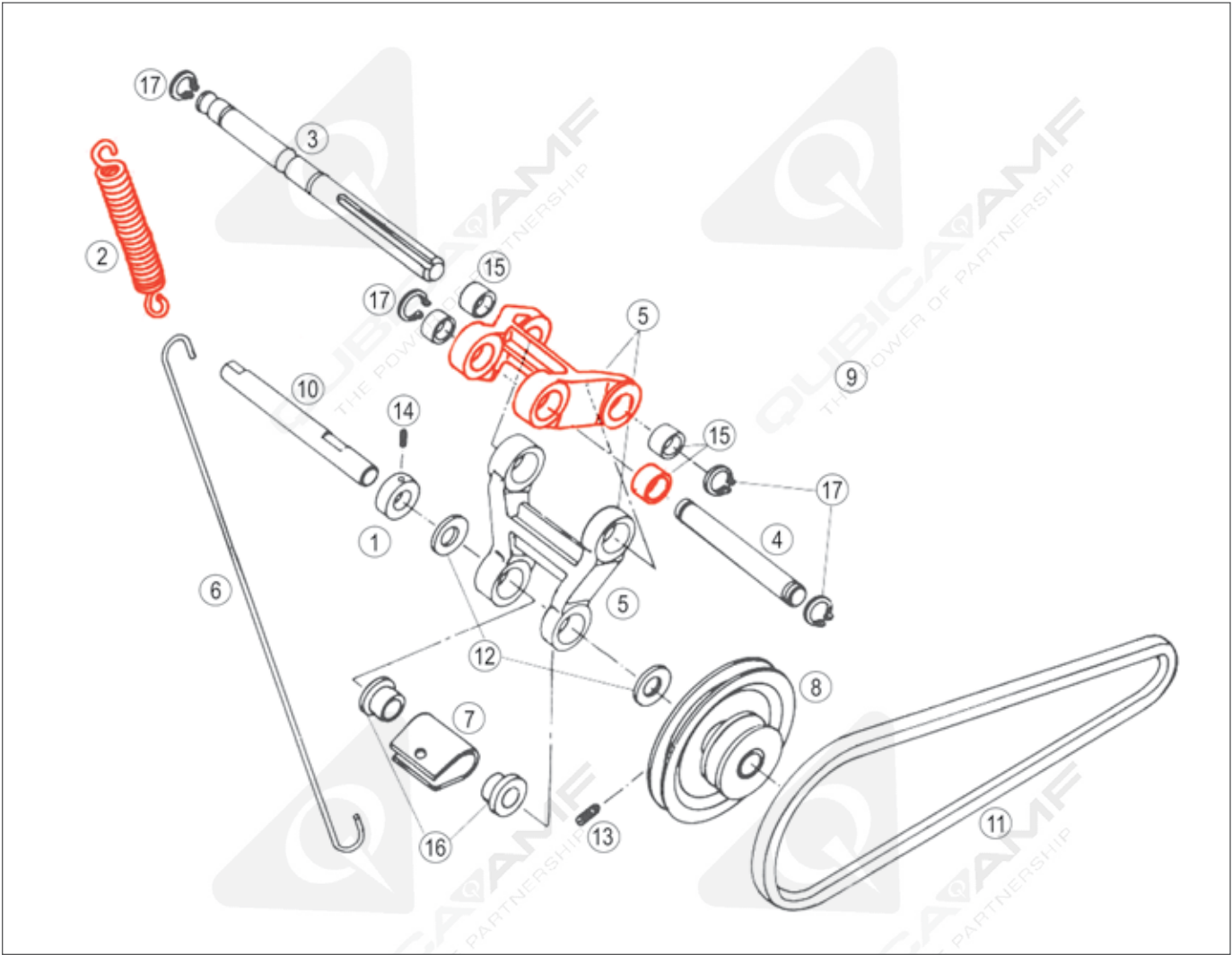


PBL BELT TENSIONER ASSEMBLY - NEW VERSION

ITEM	PART NUMBER	DESCRIPTION
1	000 026 031	Spring
2	000 027 264	Spacer
3	000 029 605	Shaft Pivot
4	000 029 606	Shaft Pivot Short
6	000 029 659	Hanger Arm Assy
7	070 011 131	Pulley Weld
8	070 011 148	V Belt
9	090 002 014	Shaft
10	090 002 015	Belt Tensioner Assembly

ITEM	PART NUMBER	DESCRIPTION
11	090 002 016	Extension Spring
12	900 110 081BG	Bearing Sl .628 X .878 X 1/2 (Bag 10)
13	900 208 120	Bearing-Flange
14	919 005 500BG	Ring-Ret .5100-50 (Bag 10)
15	919 005 600BG	Ring-Ret .5100-62 (Bag 10)
16	919 005 900BG	Ring-Ret .5100-87 (Bag 10)

BELT TENSIONER ASSEMBLY - OLD VERSION

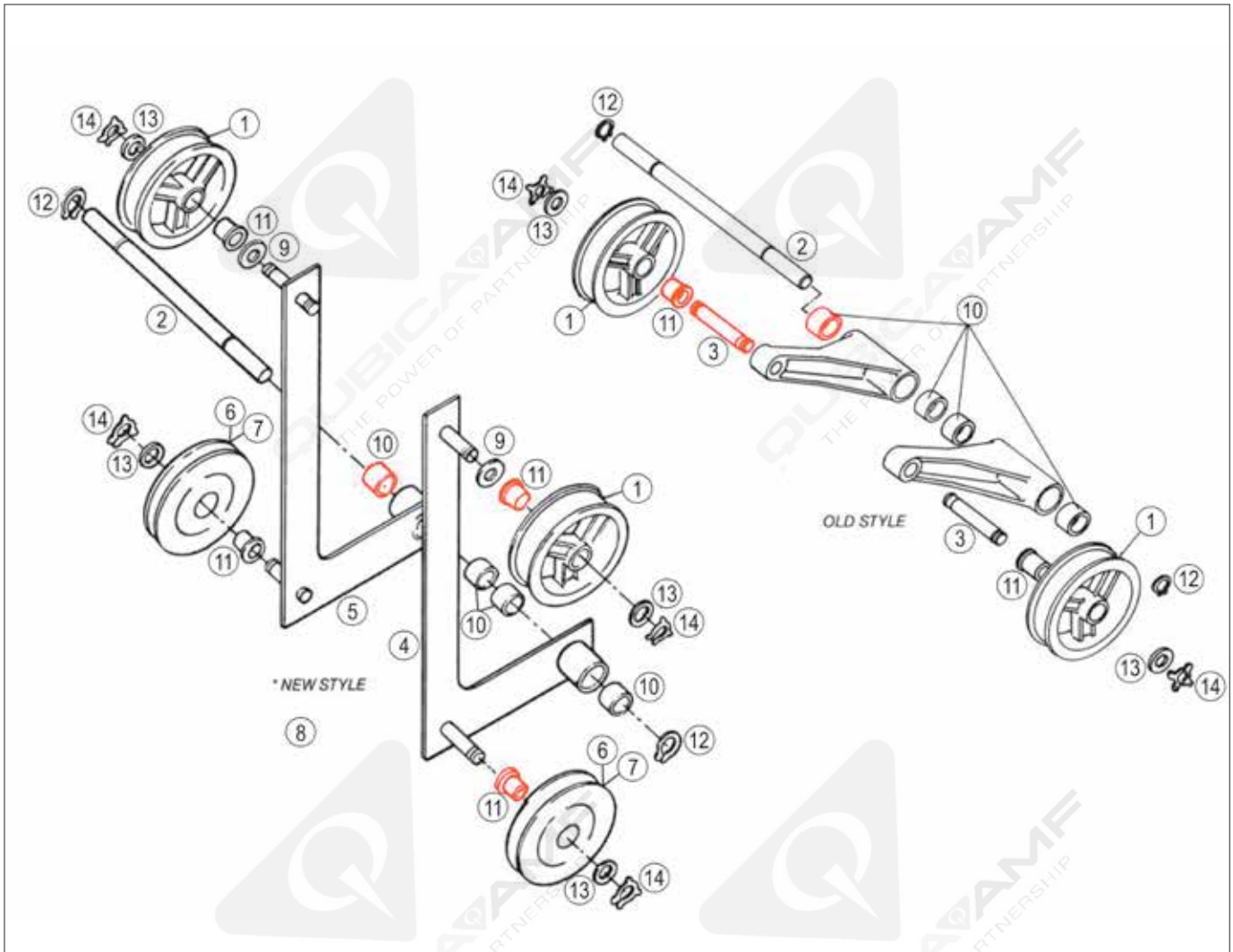


BELT TENSIONER ASSEMBLY - OLD VERSION

ITEM	PART NUMBER	DESCRIPTION
1	000 021 423	Collar 5/8 X 1 1/8 X 1/2
2	000 026 031	Spring
3	000 029 605	Shaft Pivot
4	000 029 606	Shaft Pivot Short
5	000 029 659	Hanger Arm Assy
6	070 011 106	Spring Extension
7	070 011 109	Spring Clip
8	070 011 131	Pulley Weld
9	070 011 132	Belt Tensioner Assembly
10	070 011 133	Shaft
11	070 011 148	V Belt

ITEM	PART NUMBER	DESCRIPTION
12	701 320 045BG	Bearing Th .628 X 1 X 1/8 (Bag 10)
13	807 257 060BG	Screw Stop 5/16-18 X 3/8 (Bag 10)
14	807 357 040BG	Screw-Stop 5/16-18 X 1/4 K (Bag 10)
15	900 110 081BG	Bearing Sl .628 X .878 X 1/2 (Bag 5)
16	900 210 101BG	Bearing Fl Bz .628 X 5/8 (Bag 5)
17	919 005 600BG	Ring-Ret. 5100-62 (Bag 10)

BELT TIGHTENER ASSEMBLY



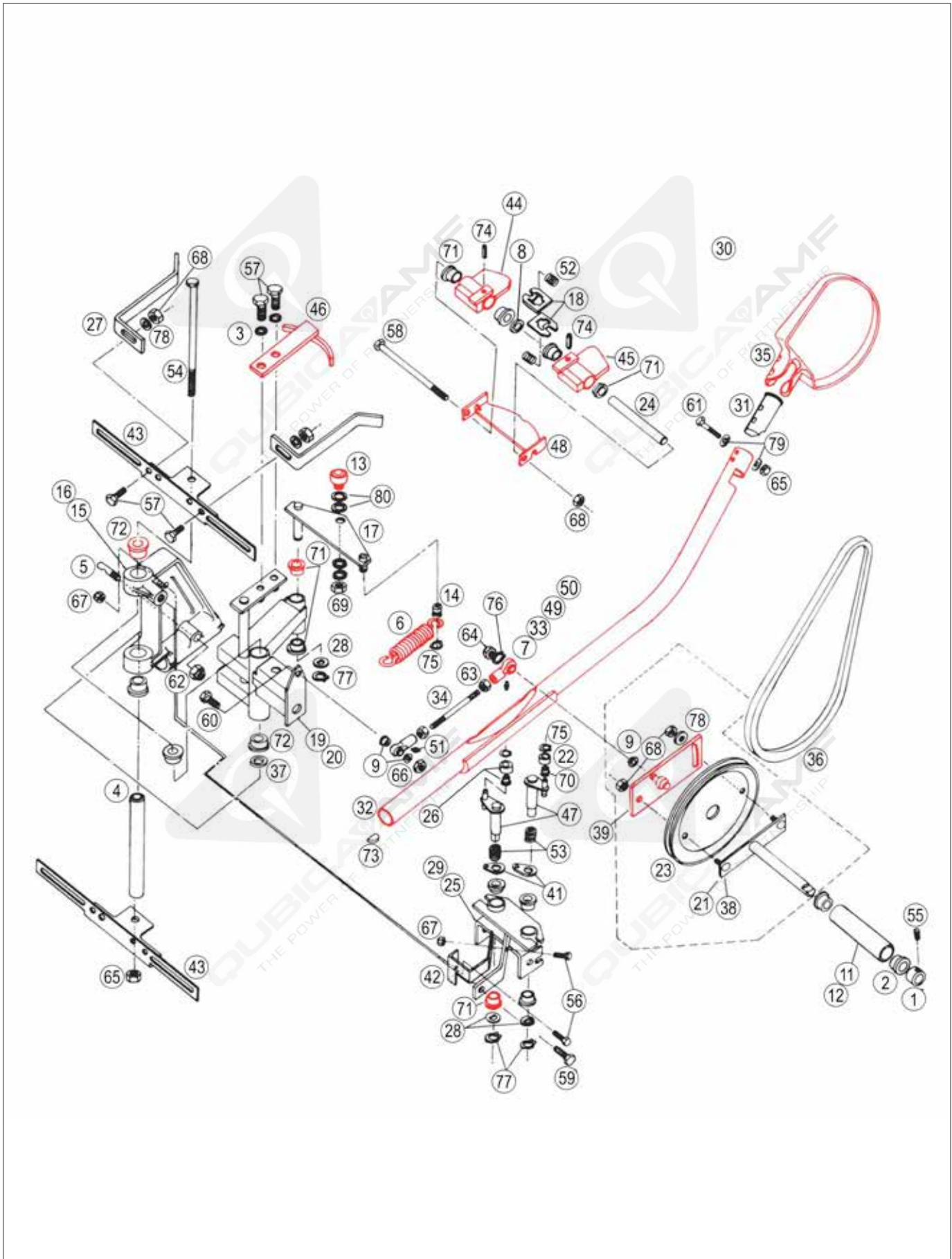
BELT TIGHTENER ASSEMBLY

ITEM	PART NUMBER	DESCRIPTION
1	000 021 408	Idler Pulley Asm
2	000 029 603	Shaft
3	070 002 072	Shaft Idler
4	070 011 523	Belt Tightener Assy R
5	070 011 524	Belt Tightener Assy L
6	070 011 525	Idler Sheave Assembly
7	070 011 526	Idler Sheave Belt Tightener
8	070 011 810	Belt Tightner Pbl

ITEM	PART NUMBER	DESCRIPTION
9	701 316 041BG	Bearing Th .5100 X 1 X 1/16 (Bag 10)
10	900 112 121	Bearing SI .753 X 3/4 Lg
11	900 208 161BG	Bearing FI .503 X .875 X 1 (Bag 5)
12	919 005 800BG	Ring-Ret. 5100-75 (Bag 10)
13	948 975 172BG	1/2 Uss Wrought Washer Type A (Bag 10)
14	963 600 002BG	Washer-X 1/4 9000-16 (Bag 10)

* New style first used on Serial No. 151326

LIGHT BALL SENSOR ASSEMBLY

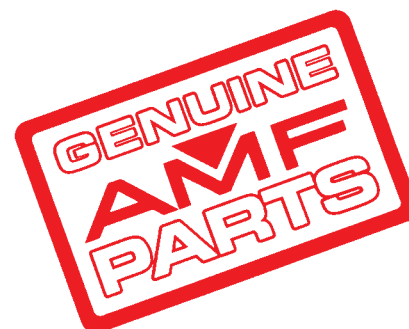


LIGHT BALL SENSOR ASSEMBLY

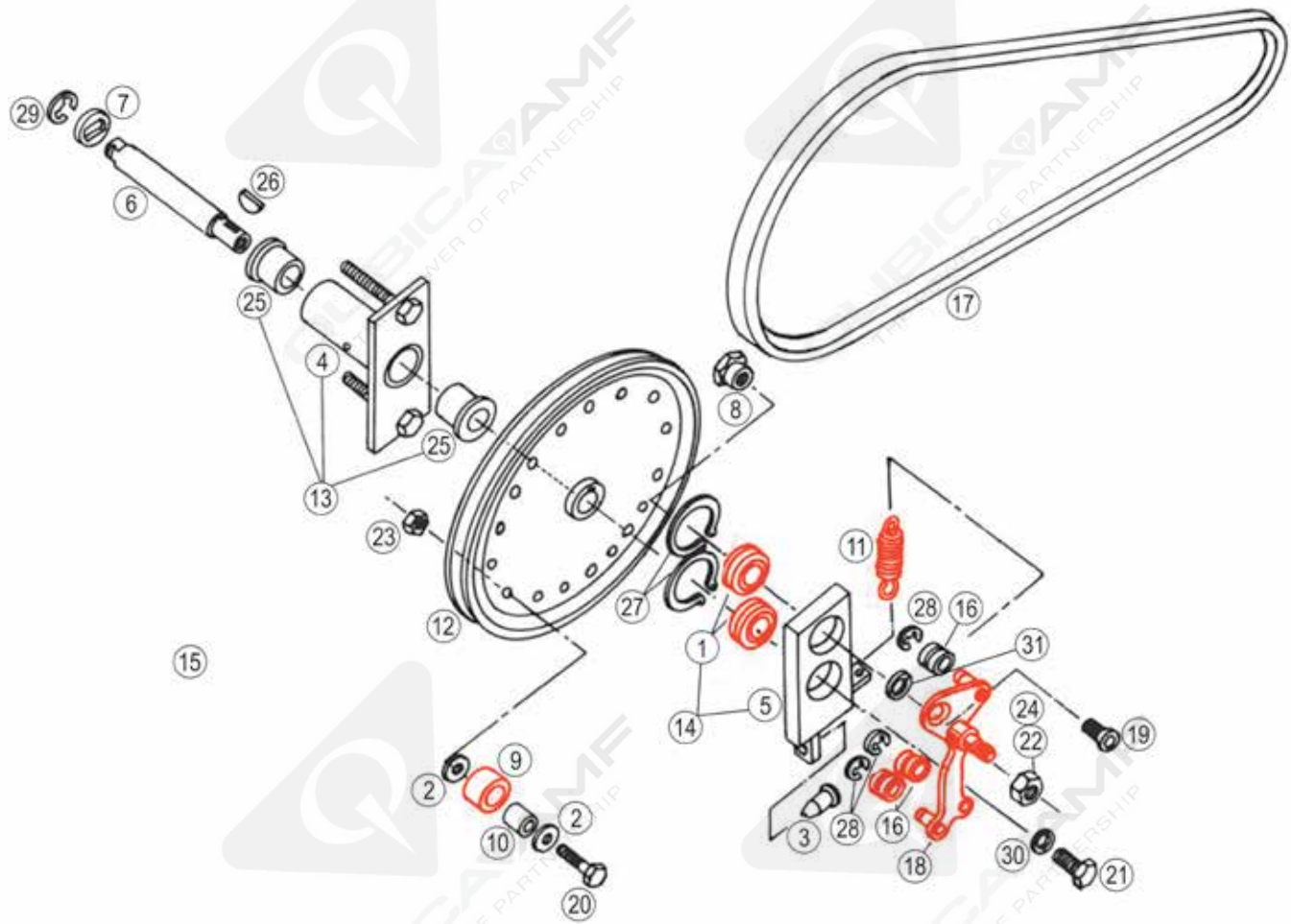
ITEM	PART NUMBER	DESCRIPTION
1	000 021 423	Collar 5/8 X 1 1/8 X 1/2
2	000 021 427	Bearing Fl .629 X .878 X 1/8
3	000 022 869BG	Washer (Bag 10)
4	000 024 615	Shaft
5	000 024 616	Clamp Stud
6	000 026 031	Spring
7	000 026 446	Rod End
8	000 027 264	Spacer
9	000 029 611BG	Unibal Bearing Washer (Bag 10)
11	000 029 696	Tube Adjustment Assembly
12	000 029 697	Tube-Adjustment
13	070 006 728	Cam Follower
14	070 011 040BG	Roller-Ratchet Arm (Bag 10)
15	070 011 066	Rudder Arm Supt Assy
16	070 011 067	Rudder Arm Supt
17	070 011 068	Link Weld
18	070 011 077	Trip Finger
19	070 011 079	Rudder Drive Weld
20	070 011 080	Rudder Drive Assembly
21	070 011 092	Crank Shaft Weld
22	070 011 096	Roller
23	070 011 097	Crank Pulley
24	070 011 098	Sleeve
25	070 011 100	Cam Sensor Weld
26	070 011 105	Roller Assembly
27	070 011 107	Trip Arm
28	070 011 108	Washer
29	070 011 110	Cam Sensor Assembly
30	070 011 120	Light Ball Sensor Asy
31	070 011 121	Plug
32	070 011 122	Rudder Arm
33	070 011 123	Rod Assembly
34	070 011 124	Rod
35	070 011 146	Paddle
36	070 011 147	V-Belt Gates #1380
37	070 011 151	Spacer
38	070 011 178	Crank Assembly
39	070 011 225	Weld-Crank Adj Plate
41	070 011 273	Tab
42	070 011 299	Brace-Sensor
43	070 011 319	Support-Rudder Arm

ITEM	PART NUMBER	DESCRIPTION
44	070 011 406	Rudder Cam Assembly RH (Even)
45	070 011 407	Rudder Cam Assembly LH (Odd)
46	070 011 418	Trip-Cam
47	070 011 626	Trip Arm Assembly
48	070 011 099P	Cam, Painted
49	090 005 250	Rod End
50	090 005 258	Rod Assy
51	710 502 010	Fittng-Heim Lu640
52	722 971 522	Sprng-Comp .480D X 7/8
53	722 985 512	Spring-Compression
54	802 865 996BG	Screw-Hhc 3/8-16 X 9 1/2 (Bag 10)
55	807 357 040BG	Screw-Stso 5/16-18 X 1/4 (Bag 10)
56	809 849 145BG	Screw-Hex 1/4-20 X 7/8 (Bag 10)
57	809 857 165BG	Screw-Hex 5/16-18 X 1 (Bag 10)
58	809 857 880BG	Screw-Hex 5/16-18 X 5 1/2 (Bag 10)
59	809 865 165BG	Screw-Hex 3/8-16 X 1 (Bag 10)
60	809 865 205BG	Screw-Hex 3/8-16 X 1 1/4 (Bag 10)
61	809 865 405BG	Screw-Hex 3/8-16 X 2 1/2 (Bag 10)
62	831 573 002BG	Nut-Std Hex 1/2-13 (Bag 10)
63	835 566 002	3/8-24 Hex Stl Thin Nut
64	838 866 002BG	Nut-Hex-Esn-Tn 3/8-24 (Bag 10)
65	839 565 002BG	3/8-16 Hex Nylon Lock Nut (Bag 10)
66	840 065 002BG	Nut-Fix-Tn 3/8-16 (Bag 10)
67	844 049 002BG	1/4-20 Lock Nut (Bag 10)
68	844 057 002BG	5/16-18 Stover Locknut (Bag 10)
69	844 070 002BG	Nut-Stvr-Lk 7/16-20 (Bag 10)
70	900 205 081BG	Bearing Fl .315 X .44 X 1/2 Lg (Bag 5)
71	900 208 091BG	Brg Fl .503 X .690 X 9/16 Bag(5)
72	900 212 201BG	Bearing Fl .753 X 1 X 1.25 (Bag 5)
73	907 000 900BG	Key-Hy Pro 910 (Bag 10)
74	913 448 120BG	Pin-Sprng .250 X 3/4 (Bag 10)
75	919 005 200BG	Ring-Ret. 5100-31 (Bag 10)
76*	919 005 300BG	Ring-Ret. 5100-37 (Bag 10)
77	919 005 500BG	Ring-Ret. 5100-50 (Bag 10)
78	948 761 112BG	5/16 Wrought Washer (Bag 10)
79	948 767 132BG	Washer 13/32 X 13/16 X 1/16 (Bag 10)
80	949 100 002BG	Washer 59/64 X 15/32 (Bag 10)

* Retaining ring #76 and spacer #9 were replaced in this application only by item #69 in January 1978.



RATCHET ASSEMBLY



RATCHET ASSEMBLY

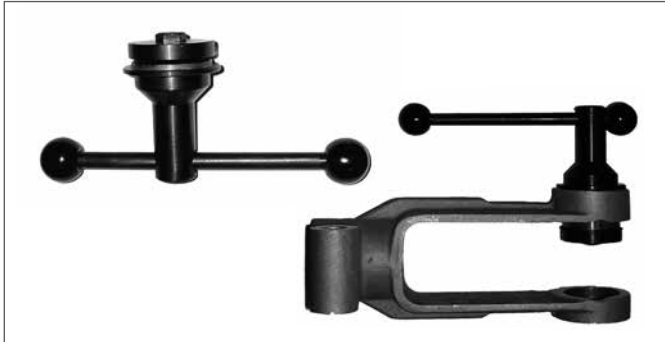
ITEM	PART NUMBER	DESCRIPTION
1	000 024 679	Bearing Bl .625 X 1.375
2	000 026 865BG	Washer (Bag 10)
3	070 006 142BG	Bumper (Bag 10)
4	070 011 009	Housing Weldment
5	070 011 013	Crank Weldment
6	070 011 027	Shaft
7	070 011 028BG	Washer (Bag 10)
8	070 011 029	Nut
9	070 011 030BG	Roller (Bag 10)
10	070 011 031BG	Spacer (Bag 10)
11	070 011 032	Spring
12	070 011 033	Pulley-Ratchet
13	070 011 036	Bearing & Housing Assembly
14	070 011 037	Crank Assembly
15	070 011 039	Ratchet Assembly
16	070 011 040BG	Roller-Ratchet Arm (Bag 10)
17	070 011 064	V-Belt Gates #1450
18	070 011 217	Weld-Ratchet Arm Ball Lift
19	808 865 140BG	Screw-Sofl 3/8-16 X 7/8 (Bag 10)
20	809 849 205BG	1/4-20 X 1 1/4 Machine Screw (Bag 10)

ITEM	PART NUMBER	DESCRIPTION
21	809 965 125BG	Screw-Hexplk 3/8-16 X 3/4
22	838 866 002BG	Nut-Hex-Esn-Tn 3/8-24 (Bag 10)
23	839 549 002BG	Nut-Fix-Tk 1/4-20 Ht (Bag 10)
24	844 065 002BG	Nut-Stvr 3/8-16 (Bag 10)
25	900 212 161BG	Bearing Fl .753 X 1.003 X 1 (Bag 5)
26	907 000 200BG	Key-Hy Pro 404 (Bag 10)
27	919 000 600BG	Ring-Ret. 5000-137 (Bag 10)
28	919 005 200BG	Ring-Ret. 5100-31 (Bag 10)
29	919 005 800BG	Ring-Ret. 5100-75 (Bag 10)
30	948 767 132BG	Washer 13/32 X 13/16 X 1/16
31	948 964 142BG	Wash-Pln 3/8 X 7/8 X 3/32 (Bag 10)

Note: Items Listed Below Are Used To Mount Ratchet Drive Assembly To Side Plate But Are Not Shown

070 008 212	Spacer
844 057 002BG	5/16-18 Stover Locknut (Bag 10)

BALL LIFT BEARING INSTALLATION & REMOVAL TOOLS



Features:

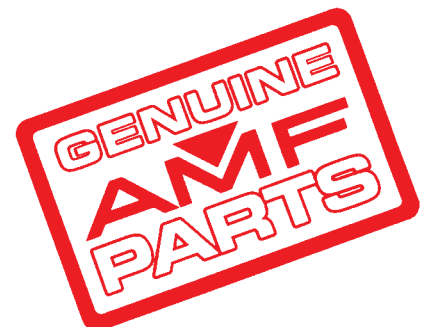
- Safely, quickly & easily service ball lift yokes
- Leave the wood blocks, vise and hammer out
- Extend service interval, spend less time performing ball lift maintenance
- Never again worry about misaligning bearings or breaking aluminum casting

BEARING INSTALLATION TOOL

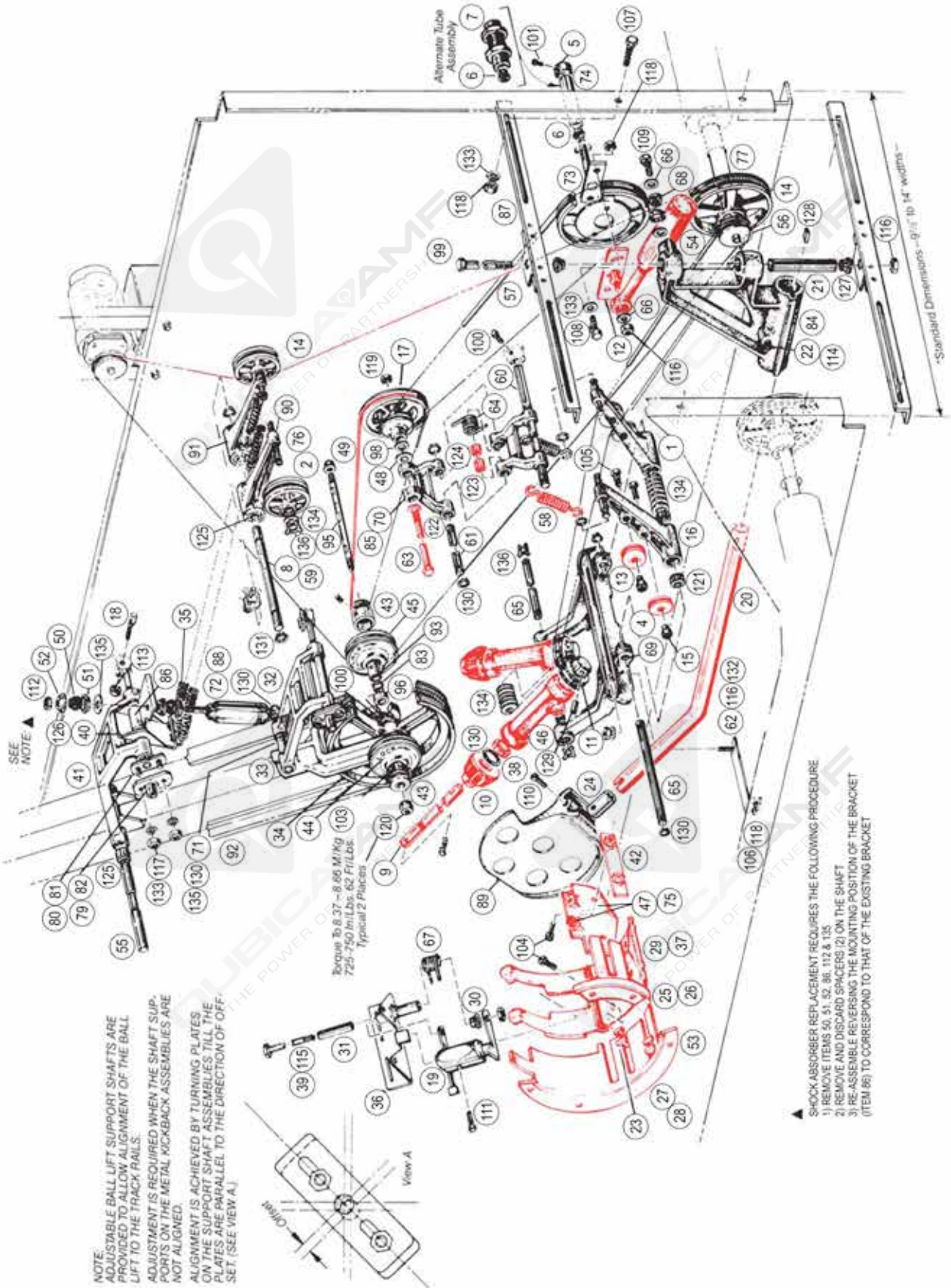
Product Code 792514040

BEARING REMOVAL TOOL

Product Code 792514041



KICKER BALL LIFT



KICKER BALL LIFT

ITEM	PART NUMBER	DESCRIPTION
1	000 021 407	Idler Arm Assembly RH (Odd) - OBS
2	000 021 408	Idler Pulley Asm
4	000 021 417	Idler Roller Assembly
5	000 021 423	Collar 5/8 X 1 1/8 X 1/2
6	000 021 427	Bearing Fl .629 X .878 X 1/8
7	000 021 428	Tube Adjusting Assy
8	000 021 435	Shaft Special
9	000 022 077	Roller Shaft
10	000 022 080	Rubber Roller
11	000 022 082	Pulley-Roller Drive
12	000 022 092	Crank Plate Weldment
13	000 022 096	Idler Asm Elev
14	000 022 099	Belt-V Pitch Lt 1133
15	000 022 173	Nut-Special
16	000 022 218	Idler Arm Assembly LH (Even) - OBS
17	000 024 599	Adj.Speed Sheave-Rudder Arm
18	000 024 610	Stud-Clamp
19	000 024 612	Pad-Starter
20	000 024 614	Arm-Rudder
21	000 024 615	Shaft
22	000 024 616	Clamp Stud
23	000 024 618	Nut-Carriage Assembly
24	000 024 622	Plug Rudder Arm
25	000 024 623	Segment-Rear LH (Even)
26	000 024 624	Segment-Rear RH (Odd)
27	000 024 625	Segment-Front RH (Odd)
28	000 024 626	Segment-Front LH (Even)
29	000 024 628	Pad-Rubber
30	000 024 631	Bearing Fl .752 X .877 X .151
31	000 024 634	Shaft
32	000 024 651	Link Assembly
33	000 024 659	Yoke Lower
34	000 024 661	Pulley
35	000 024 673	Spring-Dist
36	000 024 676	Brtk-Lower Track
37	000 024 678	Filler Assembly-Front
38	000 024 679	Bearing Bl .625 X 1.375
39	000 024 681	Screw-Hex Hd Cap
40	000 024 716	Spring Holder
41	000 024 720	Link Assembly Upper
42	000 024 745	Nut Plate Asm
43	000 024 806	Sheave
44	000 024 811	Pulley Assembly RH (Odd)
45	000 024 812	Pulley Assembly LH (Even)
46	000 025 621	Bearing Sl .502 X .689 X 2.495
47	000 025 638BG	Bumper Rubber-3/16 (Bag 10)
48	000 027 264	Spacer
49	000 027 710	Belt-V-36 Outside

ITEM	PART NUMBER	DESCRIPTION
50	000 027 996	Cushion-Rubber
51	000 027 998	Retainer
52	000 028 057	Retainer Cush Guide
53	000 028 362BG	Bumper-Urethane Bag(10)
54	000 028 540	Spring Loaded Drive Link Assembly
55	000 028 737	Shaft
56	000 028 865	Belt-V Pitch Lt 34 5
57	000 029 600	Belt-V-33 1/2 Out
58	000 029 601	Spring
59	000 029 603	Shaft
60	000 029 605	Shaft-Pivot
61	000 029 606	Shaft-Pivot-Short
62	000 029 607	Brtk-Ball Elev
63	000 029 608	Shaft-Sheave
64	000 029 609	Spring Torsion
65	000 029 610	Shaft-Roller Base
66	000 029 611BG	Unibal Brg Washer (Bag 10)
67	000 029 612	Spring Torsion
68	000 029 614	Heim Unibal
69	000 029 638	Base-Roller
70	000 029 659	Hanger Arm Asm
71	000 029 660	Shaft
72	000 029 661	Shock Absorber
73	000 029 695	Shaft Weld-Crank
74	000 029 696	Tube Adjustment Assembly
75	000 029 959	Pad-Filler Assembly
76	070 002 072	Shaft-Idler
77	070 002 097	Sheave-Carpet Drive
79	070 006 320	Shaft Assy Adj 9 1/2" To 11"
80	070 006 325	Spacing
81	070 006 328	Shaft Assy Fixed 9 1/2" To 11"
82	070 006 329	Spacing
83	070 006 748	Shaft Assy Fixed 11" To 12 5/8"
84	070 011 067	Spacing
85	070 011 132	Spacer
86	070 011 289	Rudder Arm Supt
87	070 011 319	Belt Tensioner Assy
88	070 011 323	Bracket Shock Absorber
89	070 011 408	Support Rudder Arm
90	070 011 523	Shock Absorber Assy
91	070 011 524	Paddle-Kicker Roller
92	088 001 233	Belt Tightener RH - New Style
93	090 003 401	Belt Tightener LH - New Style
95	610 900 709	Ball Lift Belt
		Clutch Race-With Slot
		Straight Shaft & Spacer Kit Lower

ITEM	PART NUMBER	DESCRIPTION
96	610 905 704	Straight Bore Bearing & Spacer Kit
98	701 320 045BG	Brg Th .628X 1 X1/8 (Bag 10)
99	802 865 996BG	Scr-Hnc 3/8-16 X 9 1/2 (Bag 10)
100	806 265 160BG	Scr-Stsq 3/8-16 X 1 Cp (Bag 10)
101	807 249 040BG	Screw 1/4-20 X 1/4 Cp (Bag 10)
103	807 265 080BG	Scr-Stsq3/8-16 X 1/2Cp (Bag 10)
104	808 957 160BG	Screw 5/16-18 X 1 nylon point (Bag 10)
105	809 849 145BG	Scr-Hx 1/4-20 X 7/8 (Bag 10)
106	809 857 125BG	Scr-Hx 5/16-18 X 3/4 (Bag 10)
107	809 857 165BG	Scr-Hx 5/16-18 X 1 (Bag 10)
108	809 857 205BG	Scr-Hx 5/16-18 X 1 1/4 (Bag 10)
109	809 865 245BG	Scr-Hx 3/8-16 X 1 1/2 (Bag 10)
110	809 865 405BG	Scr-Hx 3/8-16 X 2 1/2 (Bag 10)
111	821 438 082	Screw, Hex Head Slotted (Type Ab) #10 X 1/2
112	831 566 002BG	Nut- Hex 3/8 - 24 (Bag 10)
113	835 565 002	3/8 X 16 Hex Nut - Thin
114	835 573 002BG	Nut-Hx-Jam 1/2-13 Cd (Bag 10)
115	839 549 002BG	Nut-Flx-Tk 1/4-20 Ht (Bag 10)
116	839 665 002BG	Nut-Flx 3/8-16 (Bag 10)
117	840 057 002BG	Nut-Flex Thin 5/16-18 (Bag 10)
118	844 057 002BG	Nut Stvr Lk-5/16-18 (Bag 10)
119	844 073 002BG	Nut-Flanged 7/16-20 (Bag 10)
120	856 070 002BG	Bearing Sl Bz .503 X 1/2 Lg
121	900 108 081	Brg Sl .628 X .878 X 1/2 (Bag 5)
122	900 110 081BG	Brg Sl .628 X .878 X 7/8 (Bag 5)
123	900 110 141BG	Bushing .625 X .857 X 1.0 (Bag 5)
124	900 112 121	Bearing Sl .753 X 3/4 Lg
125	900 112 121	Brg Sl .753 X 1 X 1 1/4-Brmz (Bag 5)
126	900 112 203BG	Brg Fl .753 X 1 X 1.25 Bag(5)
127	900 212 201BG	Key-Hy Pro #910 (Bag 10)
128	907 000 900BG	Pin-Spring .187 X 1 1/4
129	913 437 200	Ring-Ret. 5100-62 (Bag 10)
130	919 005 600BG	Ring-Ret. 5100-75 (Bag 10)
131	919 005 800BG	Wshr-25/64 X 23/32 (Bag 10)
132	946 400 002BG	Washer 11/32 X 11/16 X 1/16 (Bag 10)
133	948 761 112BG	Wshr-17/32 X 1 1/16 (Bag 10)
134	948 975 172BG	Wshr-21/32 X 1 5/16 (Bag 10)
135	948 983 212BG	Wshr-X 1/4 9000-16 Bag(10)
136	963 600 002BG	

KICKER ROLLERS

KICKER ROLLERS FOR EVERY CONDITION

All of AMF's Kicker Rollers, except the Grey Roller, are made of soft, abrasion-resistant urethane, which is the perfect balance of strength and resilience. All rollers include a larger hexagonal hub, which may be held with a wrench for easy installation and is less likely to strip the set-screw hole. Each kicker roller has been tested by AMF mechanics and in hi-lineage centers to ensure dependable performance.

RED KICKER ROLLER



Features a double concave cam surface that allows the ball to fall lower and get booted into the return slot.

Product Code 070011429

GREEN KICKER ROLLER



Offers a greater contact area that will pull the ball into the ball door.

Product Code 070011636

GRAY KICKER ROLLER (NOT SHOWN)

With its round design, this rubber roller is best suited for less oily conditions.

Product Code 000022080

ORANGE KICKER ROLLER



Features a round and soft design that offers good grip.

Product Code 070011435

YELLOW KICKER ROLLER

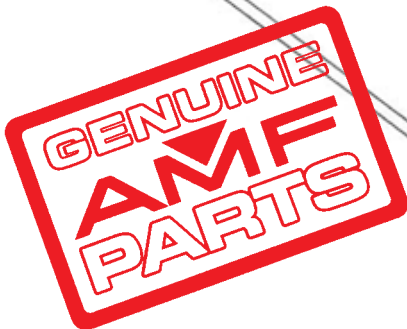


Features a single concave cam surface, giving you the advantages of the red roller but with more material for better durability.

Product Code 070011635

610 704 014
BALL IDLING KIT
CONSISTS OF:
1 070 007 769 BRACKET WELDMENT
4 809 849 325 1/4-20x2 HX HD SCR

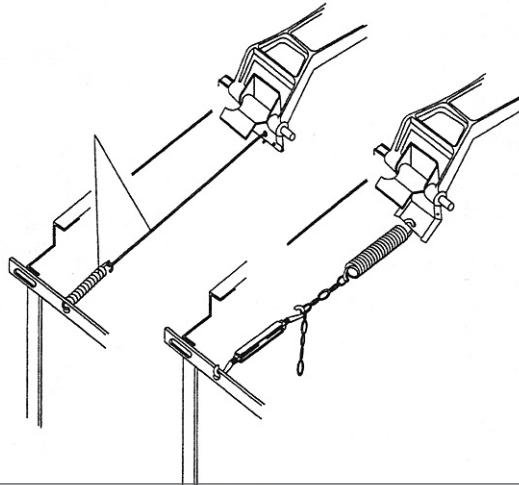
070 007 846
FILLER PLATE FIELD KIT
CONSISTS OF:
1 070 007 845 PLATE
3 070 007 847 FASTNER RUBBER
3 808 848 160 1/4-20x1 FL SOC SCR



BALL LIFT PRESSURE KIT

ORIGINAL BALL LIFT SYSTEMS

SPRING AND CONNECTING ROD
ARE NOT FOUND ON KICKER LIFTS



Product Code **612070013**

- Can more than double the effective lifting force
- Allows for heavy lane oil conditions
- Overcomes poor lubrication
- Easily adjustable pressure
- Thicker plate eliminates problems with springs pulling out holes
- Belts and rails do not have to be cleaned to remove oil nearly as often, or maybe not at all

Original Style Kicker Ball Lift Systems:

Uses the weight of the ball lift (approx. 40 lbs.) to create frictional forces required to lift a ball against the forces of gravity.

Original PBL's:

Uses the weight of the ball and an additional torque created by a small extension spring and connecting rod to increase effective forces by about 10%. These forces must again be large enough to squeeze the ball between the ball lift belt and the up rail covers and overcome gravity.

Problems Experienced Today with the Systems Above:

- Forces created by the weight and the frictional coefficient of the rubber belt and up rails must be larger than the weight of the ball, or the ball will not be lifted.

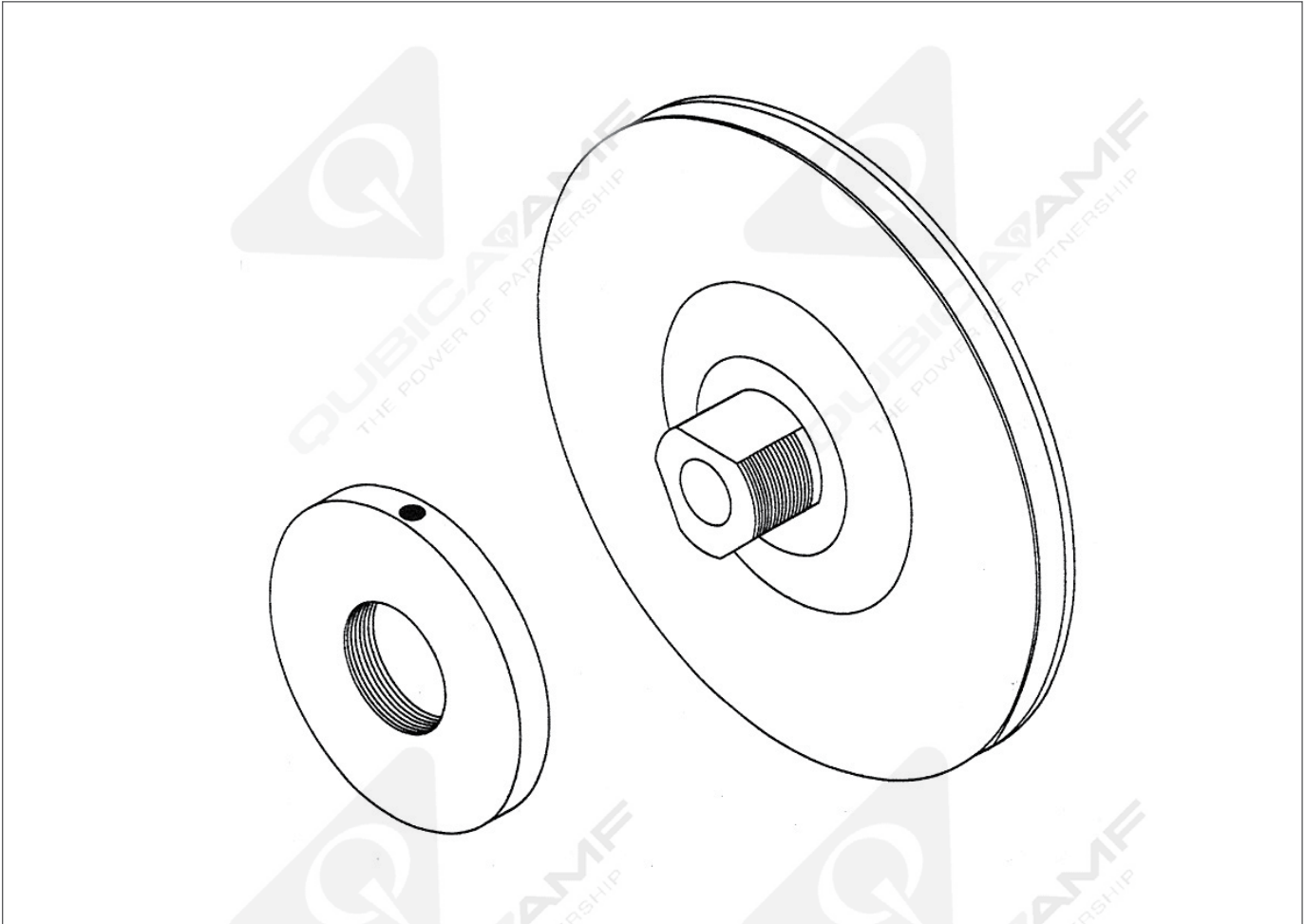
To lift a ball, the following condition must be met:

- Forces created by 40 lbs. Lift plus additional moments X frictional coefficients of surfaces > weight of ball
- Heavy lane oil conditions cause frictional coefficients of the rubber belt and up rails to drop significantly.
- Poor lubrication decreases effective weight of ball lift by preventing it from pivoting freely.
- Hydraulic shock which dampens the drop of the lift also reduces the effective weight of the lift. As the ball gets half way up the rails, the rails curve away from the lift. The lift must lower itself down further against the rails to maintain the lifting force, or the ball will idle. The shock absorbs a significant amount of this required force and the ball starts idling. It is more difficult to overcome the idling once it has started. Typically the ball must start again from the bottom.
- Effective lifting forces and coefficients of friction both drop daily because of no maintenance, no lubrication, and heavy lane oiling.

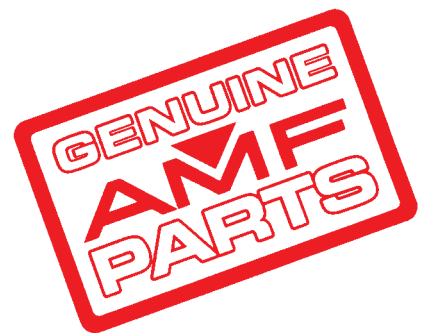
ADJUSTABLE SPEED RUDDER DRIVE SHEAVE

ADJUSTABLE SPEED RUDDER DRIVE SHEAVE

Product Code 000024599



- Slows paddle to optimum speed allowing light balls access to the lift.
- Adjustable sheave allows you to accommodate rudder drive speed to the ability of the pair of machines.
- Best when used with spring loaded drive link, AMF #000028540. This combination will give the best results in terms of adjustable strength and speed.
- Adjustable speed ratio range is from as fast as 2:1 and as slow as 4:1.
- For kicker style ball lifts and converted PBLs used with 82-70 machines only.



SPRING LOADED DRIVE LINK ASSEMBLY & PBL MINI CONVERSION KIT

SPRING LOADED DRIVE LINK ASSEMBLY

Features:

- No more leaky hydraulic shocks
- Adjustable spring pressure
- 3 inch springs for low stress and wide range
- Piston is supported at each end
- Fully encased unit for protection
- Fully serviceable

Product Code **000028540**

What is it?

An economical way to convert an 82-70 kicker ball lift system to a positive ball lift system using existing components. The addition of a specially engineered adjustable pulley and shock system to the paddle simplifies the operation of the rudder drive system and increases its reliability. Once initial adjustments are completed, they do not change.

Why do you need PBL Mini Kit?

To eliminate "Ball Calls" that cause your customers to wait. The PBL Plus kit eliminates all of the problems listed below with kicker systems.

Included in the kit is:

- New Urethane Ball Doors
- New Urethane Paddle
- New Rudder Arm
- New Ratchet Wheel Assembly, Rod and Lift Arm
- New Spring Loaded Driver Link
- New Tensioner
- New Rudder Drive Pulley
- New Lower Ball Lift Mounting Bracket
- Best used with Adjustable Speed Rudder Drive Sheave.

#000024599 (see page 98 for more details)

Key Features:

- Converts a kicker style exit system to a Positive Ball Lift system
- Eliminates much of the conditioner problem in the exit system
- The ball is lifted to the ball lift belt
- Installation requires just a few hours
- No more kickers rollers and belts
- Makes the exit area more accessible
- Reduces ball return calls



PBL MINI CONVERSION KIT



Product Code **610088086**

18

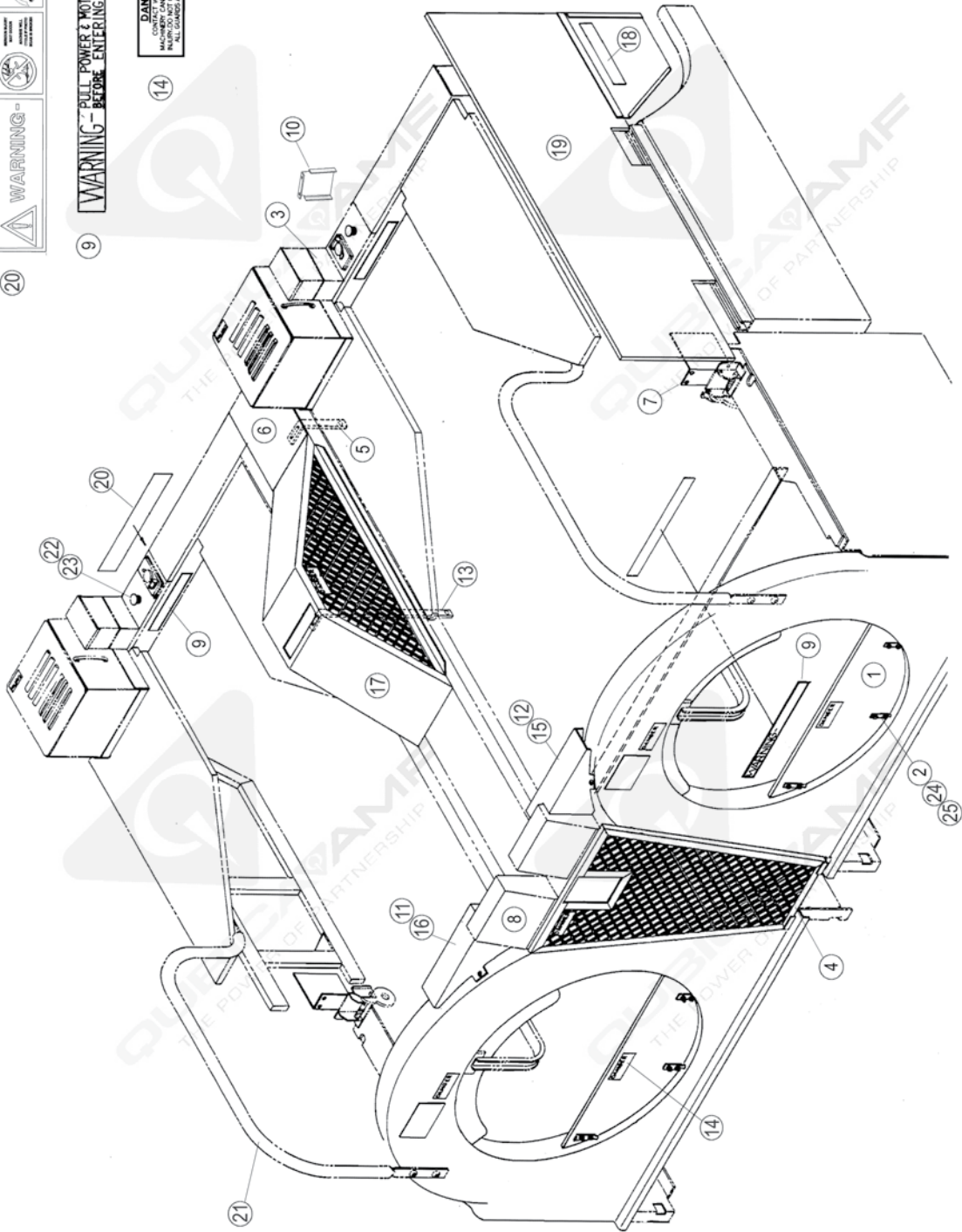
 WARNING AVVERTENZA ATTENZIONE	 WARNING AVVERTENZA ATTENZIONE	 WARNING AVVERTENZA ATTENZIONE	 WARNING AVVERTENZA ATTENZIONE	 WARNING AVVERTENZA ATTENZIONE	 WARNING AVVERTENZA ATTENZIONE	 WARNING AVVERTENZA ATTENZIONE	 WARNING AVVERTENZA ATTENZIONE	 WARNING AVVERTENZA ATTENZIONE	 WARNING AVVERTENZA ATTENZIONE	 WARNING AVVERTENZA ATTENZIONE	 WARNING AVVERTENZA ATTENZIONE	 WARNING AVVERTENZA ATTENZIONE	 WARNING AVVERTENZA ATTENZIONE	 WARNING AVVERTENZA ATTENZIONE	 WARNING AVVERTENZA ATTENZIONE	 WARNING AVVERTENZA ATTENZIONE
--	---	---	---	---	---	---	---	---	---	---	---	---	---	---	---	---

20

 WARNING AVVERTENZA ATTENZIONE	 WARNING AVVERTENZA ATTENZIONE	 WARNING AVVERTENZA ATTENZIONE	 WARNING AVVERTENZA ATTENZIONE	 WARNING AVVERTENZA ATTENZIONE	 WARNING AVVERTENZA ATTENZIONE	 WARNING AVVERTENZA ATTENZIONE	 WARNING AVVERTENZA ATTENZIONE	 WARNING AVVERTENZA ATTENZIONE	 WARNING AVVERTENZA ATTENZIONE	 WARNING AVVERTENZA ATTENZIONE	 WARNING AVVERTENZA ATTENZIONE	 WARNING AVVERTENZA ATTENZIONE	 WARNING AVVERTENZA ATTENZIONE	 WARNING AVVERTENZA ATTENZIONE	 WARNING AVVERTENZA ATTENZIONE	 WARNING AVVERTENZA ATTENZIONE
--	---	---	---	---	---	---	---	---	---	---	---	---	---	---	---	---

9 **WARNING - PULL POWER & MOTOR PLUGS BEFORE ENTERING MACHINE**

14 **DANGER**
 CONTACT WITH MOVING PARTS CAN CAUSE SERIOUS INJURY. DO NOT REPAIR OR MAINTAIN UNLESS YOU ARE QUALIFIED TO DO SO.



GUARDS AND SAFETY LABELS

ITEM	PART NUMBER	DESCRIPTION
1	000 022 219	Pin Elevator Guard Assembly
2	000 022 222	Bkt Mig Pin Elev Guard
3	000 026 247	Circuit Interrupt Sw. (Not Shown)
4	070 004 690	BE Guard
5	070 004 691	Bracket Rear
6	070 004 713	Cover Guard Assembly
7	070 004 738	Toe Guard
8	070 005 361	Control-Cover Box
9	070 005 614	Warning Decal
10	070 006 279	Guard - Solenoid
11	070 007 016	Even Belt Guard XL
12	070 007 017	Odd Belt Guard XL
13	070 010 238	Bracket Front Guard Assembly

ITEM	PART NUMBER	DESCRIPTION
14	070 011 211	Danger Decal
15	070 011 392	RH Belt Guard (Odd)
16	070 011 393	LH Belt Guard (Even)
17	070 011 401	Ball Lift Guard Weldment
18	088 001 154	End Guard Safety Label
19	088 001 174	Machine End Guard Assembly
20	090 004 028	"Warning" Label
21	090 005 118	Handrail
22	746 605 011	Contact Block
23	759 517 051	Palm Button Safety Switch
24	801 239 160	Bolt, Carriage, 10-24
25	843 139 002BG	Keq Nut, 10-24



QUBICA  **AMF**
PARTS INDEX



PARTS INDEX

PART#	DESCRIPTION	PAGE#	ITEM#
000021204	SPRING CARPET BE ASM	58	1
000021204	SPRING CARPET BE ASM	59	1
000021224	DAMPENER VIBRATION	68	1
000021231	SOCKET	14-15	1
000021231	SOCKET	16-17	1
000021407	IDLER ARM ASM RH	94-95	1
000021408	IDLER PULLEY ASM	89	1
000021408	IDLER PULLEY ASM	84-85	1
000021408	IDLER PULLEY ASM	94-95	2
000021417	IDLER ROLLER ASM	94-95	4
000021423	5/8 X 1 1/8 X 1/2 COLLAR	88	1
000021423	5/8 X 1 1/8 X 1/2 COLLAR	38-39	1
000021423	5/8 X 1 1/8 X 1/2 COLLAR	90-91	1
000021423	5/8 X 1 1/8 X 1/2 COLLAR	94-95	5
000021427	.629 X .878 X 1/8 BEARING FL	90-91	2
000021427	.629 X .878 X 1/8 BEARING FL	94-95	6
000021428	TUBE ADJUSTING ASM	94-95	7
000021431	SPRING CUSHION ROLLER	61	1
000021435	12 5/8" TO 14" SHAFT SPECIAL	94-95	8
000021575	INSULATOR	27	1
000021575	INSULATOR	34-35	1
000021645	LEVER ASM SWITCH	27	2
000021645	LEVER ASM SWITCH	28-29	1
000021652	PIT LIGHT ASM	6-7	OBS
000021652	PIT LIGHT ASM	8-9	OBS
000021683	RETAINER BEARING	22-23	1
000021714	SCREW ADJUSTING	27	3
000021714	SCREW ADJUSTING	28-29	2
000021744	BEARING ASM SELF ALIGNING	22-23	2
000021784	WASHER SLOTTED	50	
000021784	WASHER SLOTTED	42-43	1
000021792	WASHER FRAME ADJUSTMENT	82-83	1
000021813	WIPER SUPPORT	86	1
000021813	WIPER SUPPORT	82-83	2
000021814	RING	82-83	3
000021878	SPACER ROD ASM	30-31	1
000021880	ROD END ASM TABLE DRIVE	30-31	2
000021881	.625 X 1.375 BEARING BALL	30-31	3
000021905	1.25 X 2.4409 BEARING BL	22-23	3
000021914	CHANNEL BOUNCE BOARD ASM	68	2
000022077	ROLLER SHAFT	94-95	9
000022080	RUBBER ROLLER	96	
000022080	RUBBER ROLLER	94-95	10
000022082	PULLEY ROLLER DRIVE	94-95	11
000022092	CRANK PLATE WELD	94-95	12
000022096	IDLER ASM ELEV	94-95	13
000022099	BELT V PITCH LT 1133	82-83	4
000022099	BELT V PITCH LT 1133	94-95	14
000022168	SPRING SWEEP BRAKE	34-35	3
000022172	SHEAVE BACK END DRIVE	61	3
000022173	NUT SPECIAL ROLLER DR ASM	72-73	1
000022173	NUT SPECIAL ROLLER DR ASM	74-75	1
000022173	NUT SPECIAL ROLLER DR ASM	94-95	15
000022218	IDLER ARM ASM LH	94-95	16
000022219	PIN ELEV GUARD ASM RED	100-101	1
000022222	BRKT MOUNTING PIN ELEV GUARD	100-101	2
000022249	BEARING BRACKET ASM EVN 07P	58	2
000022286	COLLAR SHOCK ABS ASM	66-67	1
000022287	WASHER SPRING SEAT	66-67	2
000022288	SPRING CUSHION ZINC PHOSPHATE	59	2
000022288	SPRING CUSHION ZINC PHOSPHATE	66-67	3
000022300	SHIELD	58	3
000022300	SHIELD	59	3

PART#	DESCRIPTION	PAGE#	ITEM#
000022369	SHAFT DISTB DRIVE	79	1
000022717	PIN DISTB DRIVE	79	2
000022737	1/4-28 UNF 2BLH ROD END	42-43	2
000022738	1/4-28 UNF 2BRH ROD END	42-43	3
000022770	PAD CUSHION SPONGE RUBBER	66-67	4
000022782	SPRING COUNTER BALANCE	50	1
000022788	BOX SUPPORT BE ASM	58	4
000022788	BOX SUPPORT BE ASM	59	4
000022794	BLOCK SUPPORT RH	58	5
000022794	BLOCK SUPPORT RH	59	5
000022795	BLOCK SUPPORT LH	58	6
000022795	BLOCK SUPPORT LH	59	6
000022796	BLOCK SUPPORT 10P	58	7
000022796	BLOCK SUPPORT 10P	59	7
000022797	BLOCK SUPPORT 07P	58	8
000022797	BLOCK SUPPORT 07P	59	8
000022811	PILLOW BLOCK	50	2
000022811	PILLOW BLOCK	52-53	1
000022821	PIN	61	5
000022821	PIN	66-67	5
000022822	SLEEVE	66-67	6
000022823	SHOCK ABSORBER WITH COLLAR	66-67	7
000022824	CUSHION SHOCK ASM	66-67	8
000022828	BRACKET SHOCK SWITCH MECHANISM	61	6
000022878	ANGLE	58	9
000022878	ANGLE	59	9
000022926	RETAINER SUPPORT	58	11
000023104	1.25 X1.5 X.953 BUSHING FLANGE	52-53	2
000023139	ARM CRANK	22-23	4
000023170	STEEL SWEEP BRKT 10P SIDE	54	
000023170	STEEL SWEEP BRKT 10P SIDE	55	1
000023171	STEEL SWEEP BRKT 7P SIDE	54	
000023171	STEEL SWEEP BRKT 7P SIDE	55	2
000023182	SLIDE BAR SWEEP	55	3
000023279	BUMPER URETHANE	52-53	5
000023431	CLIP BOTTOM RH	59	11
000023432	CLIP BOTTOM LH	59	12
000023464	SUPPORT WELDMENT RH	59	13
000023465	SUPPORT WELDMENT LH	59	14
000023467	.314 X.434 X.310 BUSHING	59	15
000023468	BE BRACKET LH	59	16
000023621	LEVER CUSHION ASM SWITCH	61	7
000023625	BUMPER SPONGE RUBBER	61	8
000023646	SHIM YOKE	50	3
000023673	PIN ELEVATOR DRIVE PULLEY	61	9
000023821	CLIP SIDE PLATE WELDMENT	59	17
000024507	PIN EJECTOR ASM LH	59	18
000024508	PIN EJECTOR ASM RH	59	19
000024510	BRACKET ASM LH	59	20
000024511	BRACKET ASM RH	59	21
000024513	SPRING RH PIN EJECTOR ASM RH	59	22
000024515	.44 X .56 X 3/4 BUSHING LONG	59	23
000024516	.44 X .56 X 3/8 BUSHING SHORT	59	24
000024534	EAR HANGER CUSHION ASM	66-67	9
000024576	FRONT ROLLER ASM BE ASM	68	3
000024578	FRONT ROLLER BODY	68	4
000024579	ROLLER HINGE	68	5
000024580	SHAFT HINGE FRONT ROLLER	68	6
000024590	BALL BEARING	68	8
000024592	HINGE ASM FRONT ROLLER	68	9
000024597	LINK FRONT ROLLER ASM	68	10
000024598	6" ADJUSTABLE PITCH SHEAVE	61	11
000024599	ADJ SPEED SHEAVE RUDDER ASM	98	

PART#	DESCRIPTION	PAGE#	ITEM#
000024599	ADJ SPEED SHEAVE RUDDER ASM	94-95	17
000024603	SPRING COMP BALL LIFT	84-85	2
000024605	RETAINER LOWER	84-85	3
000024606	SUPPORT PLATE ASM	86	
000024606	SUPPORT PLATE ASM	84-85	4
000024607	TUBE BALL LIFT	84-85	5
000024608	RETAINER UPPER	84-85	6
000024610	STUD CLAMP	82-83	5
000024610	STUD CLAMP	94-95	18
000024612	PAD STARTER	94-95	19
000024614	ARM RUDDER	94-95	20
000024615	SHAFT BALL DOOR RUDDER	90-91	4
000024615	SHAFT BALL DOOR RUDDER	94-95	21
000024616	CLAMP STUD	90-91	5
000024616	CLAMP STUD	94-95	22
000024618	NUT CARRIAGE ASM	94-95	23
000024622	PLUG RUDDER ARM	94-95	24
000024623	SEGMENT BACK LH MACHINE	58	12
000024623	SEGMENT BACK LH MACHINE	94-95	25
000024624	SEGMENT BACK RH MACHINE	58	13
000024624	SEGMENT BACK RH MACHINE	94-95	26
000024625	SEGMENT FRONT RH	58	14
000024625	SEGMENT FRONT RH	94-95	27
000024626	SEGMENT FRONT LH	58	15
000024626	SEGMENT FRONT LH	94-95	28
000024628	PAD RUBBER	94-95	29
000024631	.752 X.877 X.151 BEARING FLANG	94-95	30
000024634	SHAFT STARTER PAD	94-95	31
000024641	STOP BUMPER	58	16
000024641	STOP BUMPER	82-83	6
000024645	SHAFT UPPER	84-85	7
000024647	ROLLER	84-85	8
000024648	PIN PIVOT	84-85	9
000024650	ROLLER ASM	84-85	10
000024651	LINK ASM LOWER	84-85	11
000024651	LINK ASM LOWER	94-95	32
000024657	SPRING CAM LEVER	27	4
000024657	SPRING CAM LEVER	28-29	4
000024659	YOKE LOWER PBL	84-85	12
000024659	YOKE LOWER PBL	94-95	33
000024661	PULLEY BELT PBL	84-85	13
000024661	PULLEY BELT PBL	94-95	34
000024663	COVER TRACK UPPER	86	2
000024666	TRACK RAIL WELDMENT	86	3
000024668	TRACK SUPPORT BRACKET	58	17
000024668	TRACK SUPPORT BRACKET	86	4
000024673	SPRING DISTB	82-83	7
000024673	SPRING DISTB	94-95	35
000024676	BRACKET LOWER TRACK	94-95	36
000024678	FILLER ASM FRONT	94-95	37
000024679	.625 X 1.375 BEARING BL	72-73	2
000024679	.625 X 1.375 BEARING BL	74-75	2
000024679	.625 X 1.375 BEARING BL	92-93	1
000024679	.625 X 1.375 BEARING BL	94-95	38
000024681	1/4-20 X 6 1/2 SCREW HHCAP	94-95	39
000024716	SPRING HOLDER	84-85	14
000024716	SPRING HOLDER	94-95	40
000024720	LINK ASM UPPER	84-85	15
000024720	LINK ASM UPPER	94-95	41
000024745	NUT PLATE ASM BALL RETURN	94-95	42
000024760	LINK FRONT ROLLER ASM	68	11
000024795	PLANK LH CUSHION ASM LH	66-67	10
000024796	PLANK RH CUSHION ASM RH	66-67	11

PART#	DESCRIPTION	PAGE#	ITEM#
000024806	1 3/4 X 1.650 PULLEY SHEAVE	94-95	43
000024807	CUSHION RUBBER ODD	66-67	13
000024808	CUSHION RUBBER EVEN	66-67	14
000024811	PULLEY ASM RH	84-85	16
000024811	PULLEY ASM RH	94-95	44
000024812	PULLEY ASM LH	84-85	17
000024812	PULLEY ASM LH	94-95	45
000024890	JACK SCREW	58	18
000024890	JACK SCREW	59	25
000024892	BALL BEARING RETAINER	79	3
000024893	DRIVE SHAFT ASM	79	4
000025004	END FITTING RH AM-7-G-8	25	1
000025004	END FITTING RH AM-7-G-8	52-53	6
000025005	END FITTING LH AML-7-G-8	25	2
000025005	END FITTING LH AML-7-G-8	52-53	7
000025049	SHIELD 201378-2	10	7
000025068	BLOCK TERM AMP 200838-2	14-15	2
000025068	BLOCK TERM AMP 200838-2	16-17	2
000025078	BLOCK TERM AMP 201298-1	10	8
000025078	BLOCK TERM AMP 201298-1	6-7	2
000025078	BLOCK TERM AMP 201298-1	8-9	2
000025078	BLOCK TERM AMP 201298-1	12-13	1
000025079	BLOCK TERM AMP 201355-1	18-19	1
000025144	PLUG MALE	11	1
000025207	KEY HS 0.56 X 4.50	58	19
000025281	BEARING RESPOT CELL 30	74-75	N/S
000025292	CIRCUIT BREAKER AM12	63	1
000025549	7/8 X 1 1/2 X 9/16 COLLAR	44-45	2
000025555	FUSE SLO-BLO 3 AMP	14-15	3
000025557	CLIP LOCKING SPRING 201915-2	10	9
000025590	RECEPTACLE HOUSING	62	N/S
000025603	TERMINAL BOARD	6-7	4
000025603	TERMINAL BOARD	8-9	4
000025621	.502 X.689 X2.495 BRG SLEEVE	94-95	46
000025622	STRAP BONDING 4040	68	12
000025803	ROLLER PIN EJECTOR ASM	59	26
000025804	SHAFT PIN EJECTOR ASM	59	27
000025863	RELAY 24V 50-60 CY	14-15	4
000025863	RELAY 24V 50-60 CY	16-17	3
000025865	PLUNGER SWITCH	63	2
000025865	PLUNGER SWITCH	16-17	4
000025906	RECEPTACLE MALE	62	2
000025907	PLUG FEMALE	10	4
000026027	SOLENOID ASM 115V 60HZ	38-39	3
000026031	SPRING	87	1
000026031	SPRING	88	2
000026031	SPRING	74-75	4
000026031	SPRING	82-83	8
000026031	SPRING	90-91	6
000026037	SWITCH TOGGLE MAA OA-BL/ON-OFF	63	3
000026042	SWITCH MICRO	27	5
000026042	SWITCH MICRO	50	4
000026042	SWITCH MICRO	28-29	5
000026043	SWITCH SINGLE POLE DBL THROW	61	12
000026043	SWITCH SINGLE POLE DBL THROW	34-35	4
000026081	SPRING POST SLEEVE	72-73	3
000026247	SWITCH	6-7	5
000026247	SWITCH	8-9	5
000026247	SWITCH	100-101	3
000026247	SWITCH	28-29	6
000026401	SHAFT	27	6
000026419	HOUSING WELDMENT	27	7
000026446	ROD END AF-6-G-8	86	5

PARTS INDEX - CONTINUED

PART#	DESCRIPTION	PAGE#	ITEM#
000026446	ROD END AF-6-G-8	34-35	6
000026446	ROD END AF-6-G-8	90-91	7
000026450	PIN CURTAIN SCANDURA	66-67	15
000026464	BRACKET KICKBACK PIT	59	28
000026836	TRANSFORMER 115-60	14-15	5
000026836	TRANSFORMER 115-60	16-17	5
000027099	APRON & MAT ASM RH	60	1
000027100	APRON & MAT ASM LH	60	2
000027264	SPACER	87	2
000027264	SPACER	90-91	8
000027264	SPACER	94-95	48
000027368	PLOW & MAT ASM LH	60	3
000027372	PLOW & MAT ASM RH	60	4
000027390	DISTRIBUTOR DRIVE HOUSING	79	N/S
000027444	FLORESCENT LAMP STARTER	6-7	6
000027444	FLORESCENT LAMP STARTER	8-9	6
000027641	.752 X2.75 X .062 BRG THRUST	58	20
000027641	.752 X2.75 X .062 BRG THRUST	59	29
000027642	WASHER FRONT ROLLER	58	21
000027642	WASHER FRONT ROLLER	59	30
000027642	WASHER FRONT ROLLER	84-85	18
000027645	BEARING BRACKET ASM ODD 07P	59	31
000027646	BEARING BRACKET ASM EVN 10P	59	32
000027655	MALE RECEPTACLE F24723	22-23	5
000027660	PLUG FEMALE	10	1
000027710	BELT V 36 OUTSIDE	94-95	49
000027870	TRANSFORMER 115/230V 50/60HZ	14-15	6
000027870	TRANSFORMER 115/230V 50/60HZ	16-17	6
000027873	SOLENOID	38-39	4
000027996	CUSHION RUBBER	94-95	50
000027998	RETAINER	84-85	19
000027998	RETAINER	94-95	51
000028036	SHIM MICRO SWITCH	61	13
000028057	RETAINER CUSHION GUIDE	84-85	20
000028057	RETAINER CUSHION GUIDE	94-95	52
000028391	SCREW SHOULDER	38-39	5
000028409	BLOCK TERM AMP 2013581	12-13	2
000028410	BLOCK THER AMP 2002772	14-15	7
000028410	BLOCK THER AMP 2002772	16-17	7
000028452	VARIATOR	14-15	10
000028494	CAMLOCK HOOK	14-15	11
000028494	CAMLOCK HOOK	16-17	10
000028519	RUBBER RIVET CUSHION ASM	66-67	16
000028529	URETHANE-"PLUS" RIVET	66-67	17
000028540	SPRING LOADED DRIVE LINK ASM	99	
000028540	SPRING LOADED DRIVE LINK ASM	94-95	54
000028541	BE CAP FOR DRIVE LINK	99	
000028543	SPLIT BUSHING NYLON DR/LK	99	
000028544	COMPRESS SPRING DRIVE LINK	99	
000028548	FE END CAP FOR DRIVE LINK	99	
000028737	SHAFT PIVOT PROFILE BALL LIFT	84-85	21
000028737	SHAFT PIVOT PROFILE BALL LIFT	94-95	55
000028771	SHEAVE	84-85	22
000028865	BELT V PITCH LT 34 5	94-95	56
000029010	POST FUSE EXTRACTOR	14-15	12
000029015	STUD PIVOT	59	34
000029660	SHAFT	84-85	24
000029068	RUBBER MOUNTING PIN ELEVATOR	60	5
000029117	HANDLE	14-15	14
000029117	HANDLE	16-17	12
000029301	RECTIFIER SILC *2069	14-15	15
000029317	STOP PIN	59	35
000029600	BELT-V 33 1/2 OUT	94-95	57

PART#	DESCRIPTION	PAGE#	ITEM#
000029601	SPRING ROLLER DR BALL ELEV	94-95	58
000029603	SHAFT BALL LIFT SUPPORT	89	2
000029603	SHAFT BALL LIFT SUPPORT	94-95	59
000029605	PIVOT SHAFT	87	3
000029605	PIVOT SHAFT	88	3
000029605	PIVOT SHAFT	94-95	60
000029606	PIVOT SHAFT SHORT PBL	87	4
000029606	PIVOT SHAFT SHORT PBL	88	4
000029606	PIVOT SHAFT SHORT PBL	94-95	61
000029607	BRACKET BALL ELEV	94-95	62
000029608	SHAFT SHEAVE	94-95	63
000029609	SPRING TENSION	94-95	64
000029610	SHAFT ROLLER BASE	94-95	65
000029612	SPRING TPRSOPM	94-95	67
000029613	RAIL BALL ELEVATOR	84-85	23
000029614	UNIBAL BRG 3/8 ID X 1.00 OD	34-35	7
000029614	UNIBAL BRG 3/8 ID X 1.00 OD	94-95	68
000029624	BRACKET SHOCK MECH	61	14
000029626	SUPPORT ANGLE	68	14
000029629	TRACK WELD DOWNSWEEP	82-83	9
000029638	BASE ROLLER	94-95	69
000029659	HANGER ARM ASM	87	6
000029659	HANGER ARM ASM	88	5
000029659	HANGER ARM ASM	94-95	70
000029660	SHAFT	94-95	71
000029661	SHOCK ABSORBER	84-85	25
000029661	SHOCK ABSORBER	94-95	72
000029672	BEARING BRACKET ASM ODD 10P	58	23
000029695	SHAFT WELD CRANK	94-95	73
000029696	TUBE ADJUSTMENT ASM	90-91	11
000029696	TUBE ADJUSTMENT ASM	94-95	74
000029697	TUBE ADJUSTMENT	90-91	12
000029896	CLAMP STRAIN RELVR	12-13	8
000029898	BAR REINFORCING 40.5	68	15
000029910	SHIM 3/8 SLOT X 1 1/8 OD	82-83	10
000029959	PAD FILLER ASM	94-95	75
000200000	DISTRIBUTOR CKLAUCK TOOL	76	
030002748	SWEEP CAM GUAGE	23	
030002748	SWEEP CAM GUAGE	55	
030003542	CLIP BELT LACER ADAP	76	
030003542	CLIP BELT LACER ADAP	77	
030003938	STRAP PILLOW BLOCK	50	5
030003943	CRANK MOTOR	23	
030003943	CRANK MOTOR	42-43	
030004031	TOOL EXTRACTING 50PT CONN	20	
030008660	KICKBACK PANEL	77	
030016526	120V-60HZ-MP CHASSIS	58	24
070001184	STRAP	17	
070001185	BRACE	60	6
070001195	PIN SEATING ROD	60	7
070001284	RECEPTACLE ASM	60	8
070001389	SPRING CURTAIN LATCH	62	3
070001396	PIN CURTAIN LATCH	66-67	19
070001412	PLOW & MAT ASM SM RH	66-67	20
070001421	STRAP	60	9
070001422	BOLT-U	66-67	21
070001432	PAD CUSHION ASM	66-67	22
070001450	PIT SUPPORT BRACKET BDS	66-67	23
070001451	PIT SUPPORT BRACKET OBDS	58	25
070001557	TIE ROD	59	36
070001585	PIN SPOT LINK	25	22
070001587	PIN SPRING HANGER	24	1
070001591	PIN	24	2

PART#	DESCRIPTION	PAGE#	ITEM#	PART#	DESCRIPTION	PAGE#	ITEM#
070001602	TIE ROD ASM SPOTTING	50	6	070002577	STUD SPRING YOKE ASM	44-45	3
070001605	UPPER SPOT LINK ASM	25	3	070002578	LEVER ASM SPOT	42-43	7
070001606	TIE ROD RESPOT	24	3	070002578	LEVER ASM SPOT	25	6
070001607	TIE ROD SPOT	25	4	070002579	LEVER ASM FINGER	42-43	8
070001664	CLAMP STUD CAM	25	5	070002581	TIE ROD	42-43	9
070001668	ROLLER SPRING FE ASM	22-23	6	070002582	DRIVE LINK ASM - REAR	42-43	10
070001698	BRACKET PIT LIGHT	50	7	070002583	LINK ASM ACTUATING	18-19	6
070001698	BRACKET PIT LIGHT	6-7	9	070002584	PIN BELL CRANK	42-43	11
070001699	SWEEP DRIVE SHAFT	8-9	9	070002585	SHAFT LEVER TABLE ASM	42-43	12
070001700	TABLE SHAFT	22-23	7	070002590	FINGER LINK	42-43	13
070001707	SPRING	22-23	8	070002594	TIE ROD ASM	42-43	14
070001751	HANGER SPRING	22-23	9	070002596	SPRING YOKE ASM	42-43	15
070001774	LINK ASM	24	4	070002602	LEVER INNER YOKE	42-43	16
070001777	PIN	38-39	6	070002603	LEVER OUTER YOKE	44-45	4
070001804	PIVOT WELD RESPOT	38-39	7	070002609	PIN LEVER REAR YOKE ASM	44-45	5
070001807	SPRING RESPOT FINGER	42-43	4	070002612	TIE LINK ASM	44-45	6
070001840	TABLE DRIVE ASM	42-43	5	070002615	SHAFT #1 YOKE ASM	44-45	7
070001840	TABLE DRIVE ASM	22-23	10	070002616	SHAFT #2 YOKE ASM	44-45	9
070001849	0.63 X 1.00 X 0.13 F WASH BOSP	30-31	4	070002617	SHAFT #3 YOKE ASM	44-45	10
070001852	LEVER OFF SPOT	30-31	6	070002618	SHAFT 4 YOKE ASM	44-45	11
070001853	SPRING	50	9	070002619	PIN ACTUATOR SHAFT	44-45	12
070001854	SCREW ADJUSTMENT	50	10	070002620	SPACER YOKE ASM	18-19	7
070001871	SCREW HEX HD CAM LINK	50	11	070002623	YOKE & BEARING ASM	44-45	13
070001877	ECCENTRIC TABLE DRIVE	42-43	6	070002629	YOKE RESPOT ASM	44-45	14
070001893	CAM BALL ASM	30-31	8	070002629	YOKE RESPOT ASM	46-47	2
070001894	PIN PIVOT	30-31	9	070002642	YOKE RESPOT ASM 7	48-49	3
070001898	LATCH ASM.	30-31	10	070002644	PLATE YOKE ASM	48-49	6
070001907	PITLIGHT MTG ANGLE 10P SIDE	30-31	11	070002644	PLATE YOKE ASM	46-47	5
070001907	PITLIGHT MTG ANGLE 10P SIDE	6-7	10	070002645	SHAFT LEVER ASM RESPOT ASM	48-49	7
070001908	PITLIGHT MTG ANGLE 07P SIDE	8-9	10	070002645	SHAFT LEVER ASM RESPOT ASM	46-47	6
070001908	PITLIGHT MTG ANGLE 07P SIDE	6-7	11	070002646	ARM RESPOT YOKE ASM	48-49	8
070001910	SPOT & RESPOT CAM	8-9	11	070002646	ARM RESPOT YOKE ASM	46-47	7
070001931	SPRING TABLE DRIVE	22-23	11	070002647	YOKE RESPOT ASM	48-49	9
070001932	PIN ACTUATOR ASM	30-31	13	070002663	LEG ASM FRONT RH	46-47	8
070001990	KNOB	30-31	14	070002664	LEG ASM FRONT LH	44-45	15
070001990	KNOB	14-15	16	070002665	LEG ASM REAR	44-45	16
070001995	UPPER YOKE ASM	16-17	13	070002667	LEG FRONT TABLE	44-45	17
070001997	LATCH ASM SUPPORT ARM ASM	84-85	26	070002671	LINK RESPOT CONNECTOR	44-45	18
070002004	ARM ASY RH BELT TIGHT	24	6	070002678	LEVER RESPOT ASM	18-19	10
070002007	PULLEY ASM BELT TIGHT PIN ELEV	61	15	070002680	LEVER RESPOT ASM	18-19	11
070002010	PAN DRIP	61	16	070002683	YOKE	42-43	19
070002012	PIVOT SHAFT BELT	61	17	070002686	FRAME ASM 7 CELL	44-45	19
070002027	PANEL KICKBACK	61	18	070002688	SPRING RH	48-49	15
070002034	ROLLER ASM REAR	59	37	070002689	SPRING LH	44-45	20
070002034	ROLLER ASM REAR	68	16	070002698	.625 X1.562 X7/8 S6586 BRG SR	44-45	21
070002050	TUBE WELD RH	82-83	11	070002698	.625 X1.562 X7/8 S6586 BRG SR	50	12
070002060	CUSHION ASM RH ODD	66-67	24	070002701	PIN YOKE LEGS	44-45	22
070002072	SHAFT IDLER	66-67	25	070002702	STOP	44-45	23
070002072	SHAFT IDLER	89	3	070002715	.502 X.689 X1.5 BEARING SL	42-43	21
070002074	BRACKET MOTOR WELD RH REAR	94-95	76	070002719	SLEEVE SPRING YOKE	42-43	22
070002084	BRKT CUSHION SHOCK RH FRONT	61	19	070002726	SHAFT-TABLE ASY	44-45	24
070002094	PULLEY BELT TIGHTENER PIN ELEV	61	20	070002727	LINK & BEARING ASY	42-43	23
070002097	SHEAVE CARPET DRIVE	61	21	070002727	LINK & BEARING ASY	25	7
070002097	SHEAVE CARPET DRIVE	68	17	070002728	CAM LINK BRG ASY	42-43	24
070002097	SHEAVE CARPET DRIVE	82-83	12	070002728	CAM LINK BRG ASY	25	8
070002169	PLOW & MAT ASM SM LH	94-95	77	070002733	SCREW CAM LINK TABLE	42-43	25
070002180	RECEPTACLE WIRE ASM	60	10	070002734	BRACKET SPRING CAM LINK	42-43	27
070002212	BRKT WELD MOTOR MOUNT LH REAR	62	4	070002758	LEVER & BUSHING ASY	42-43	28
070002214	BRKT CUSHION SHOCK LH FRONT	61	22	070002766	LINK TABLE ASM	28-29	9
070002216	ARM ASY LH MACH	61	23	070006669	LINK RESPOT	18-19	12
070002252	TUBE WELD CUSHION LH	61	24	070002768	LINK TABLE ASM	18-19	
070002260	CUSHION ASM LH EVEN	66-67	26	070002769	LINK TABLE ASM	18-19	13
070002573	SPACER LEG YOKE	66-67	27	070002770	LINK TABLE ASM	18-19	14

PARTS INDEX - CONTINUED

PART#	DESCRIPTION	PAGE#	ITEM#
070002771	PLATE TABLE ASM	18-19	15
070002776	BEARING CONE TABLE DRIVE	18-19	16
070002777	CUP ROLLER BRG TABLE DRIVE	30-31	16
070002778	CRANK HOUSING & CUP ASM	30-31	17
070002779	ECCENTRIC & CONE BRG ASM	30-31	18
070002780	CUP ROLLER BEARING TABLE DRIVE	30-31	19
070002781	BEARING ND CAM LINK TABLE ASM	30-31	20
070002788	CAP SPOTTING CUP	42-43	30
070002792	FRAME RESPOT WELD	44-45	27
070002808	SPOTTING CUP ASM	46-47	16
070002809	SPOTTING CUP	44-45	29
070002813	RESPOT LINK	44-45	30
070002814	LINK ASM YORK PIVOT LEVER	18-19	20
070002816	CAM FOLLOWER	18-19	21
070002824	CONE & BEARING ASM	42-43	31
070003103	PIN BEARING SWEEP LINK	30-31	21
070003106	SHAFT MAIN PIVOT	52-53	8
070003117	SPACER DRIVE LINK	52-53	9
070003158	LINK DRIVE ASM SWEEP	52-53	10
070003159	TUBE MOTOR ROD	52-53	11
070003162	CONNECT ROD ASY MOTOR	52-53	12
070003173	.438 X .624 X 2 LG BEARING SL	52-53	13
070003184	SUPPORT LINK ASM SWEEP	52-53	14
070003189	PIN BEARING SWEEP LINK	52-53	15
070003190	BRACKET SHOCK RH SWEEP	52-53	16
070003191	BRACKET SHOCK LH SWEEP	52-53	17
070003195	SHOCK MOUNT SWEEP	52-53	18
070003195	SHOCK MOUNT SWEEP	54	
070003221	SCREW SWEEP LINK ASM	52-53	19
070003222	BRKT SHOCK MOUNT SWEEP SHOCK	52-53	20
070003223	LINK THREADED SWEEP	52-53	21
070003231	PIN BEARING	52-53	22
070003232	SPACER MAIN PIVOT LONG	52-53	23
070003233	SPACER MAIN PIVOT SHORT	52-53	24
070003235	7/16-14 SCR BRG SWEEP LINK ASM	52-53	25
070003242	SWEEP LINK CAST	52-53	27
070003243	SCREW - CRANK ARM FE	52-53	28
070003245	SCREW ROCK ARM SWEEP LINK	22-23	12
070004267	STUB IDLER CRANK	52-53	29
070004602	BRACKET BALL LIFT	61	25
070004642	BRACKET STOP BALL LIFT	58	26
070004654	BRACKET TRACK SUPPORT	82-83	13
070004669	CLOTH BALL WIPER	82-83	14
070004670	DUST TRAP BALL ELEVATOR	82-83	15
070004690	GUARD WELDMENT	82-83	16
070004691	WIREWAY SUPPORT BRACKET	100-101	4
070004713	COVER GUARD	100-101	5
070004738	GUARD	100-101	6
070004738	GUARD	100-101	7
070005094	CABLE ASM BE MOTOR	66-67	28
070005094	CABLE ASM BE MOTOR	6-7	12
070005149	RELAY, THERMAL "H"	8-9	12
070005361	COVER CONTROL BOX	14-15	17
070005361	COVER CONTROL BOX	63	5
070005514	SHIELD ANGLE	100-101	8
070005514	SHIELD ANGLE	14-15	18
070005515	RELAY CHASSIS M-2	16-17	14
070005515	RELAY CHASSIS M-2	14-15	19
070005529	SWITCH SWEEP RUN	16-17	15
070005530	SWITCH TOGGLE SWEEP REVERSE	63	6
070005534	CABLE ASM- OFF SPOT	63	7
070005534	CABLE ASM- OFF SPOT	6-7	13
070005542	CABLE ASM SWEEP MOTOR	8-9	13

PART#	DESCRIPTION	PAGE#	ITEM#
070005542	CABLE ASM SWEEP MOTOR	6-7	14
070005570	PLUG DUCT WELDMENT	8-9	14
070005570	PLUG DUCT WELDMENT	6-7	15
070005602	CABLE TABLE	8-9	15
070005604	CABLE TABLE	18-19	24
070005604	CABLE TABLE	6-7	16
070005610	LINK CURTAIN	8-9	16
070005614	DECAL WARNING	66-67	29
070005614	DECAL WARNING	60	11
070005614	DECAL WARNING	6-7	17
070005614	DECAL WARNING	8-9	17
070005652	CAPACITOR 100	100-101	9
070005666	CIRCUIT BREAKER	14-15	20
070005666	CIRCUIT BREAKER	14-15	21
070005685	UNIVERSAL PIT LIGHT	16-17	16
070005685	UNIVERSAL PIT LIGHT	6-7	18
070005842	DIODE POWER	8-9	18
070005859	DIODE POWER	14-15	23
070005874	CAPACITOR	14-15	25
070005883	RELAY	14-15	26
070005898	TRANSFORMER 115/230 50	14-15	27
070005998	TRIAC	14-15	28
070006004	TUBE DISTRIBUTOR	14-15	30
070006009	BELT RUNNER SUPPORT ASM	74-75	7
070006011	PULLEY ASM DISTRIBUTOR	74-75	8
070006013	GUIDE PIN DIST	74-75	9
070006014	SHAFT TRIP ARM PIVOT	74-75	10
070006015	TRIP ARM ASM RH	74-75	11
070006016	TRIP ARM ASM LH	74-75	12
070006019	SPRING COLLAR CARRIAGE ASM	74-75	13
070006021	TUBE ASM FRONT CARRIAGE	74-75	14
070006022	TUBE ASM MIDDLE DIST	74-75	15
070006029	LINK CONNECTING DIST	74-75	16
070006034	SPRING LINEAR DIST	74-75	17
070006035	SPRING TORSION TRIP ARM	72-73	5
070006042	RUNNER BELT REAR	74-75	18
070006048	5/8-11 X 5.00 GR8 HHCS	74-75	21
070006049	SHAFT ARM DIST	72-73	6
070006051	ARM DISTRIBUTOR	72-73	7
070006052	DRIVE ARM DISTRIBUTOR	72-73	8
070006055	CARRIAGE CASTING FRONT	72-73	9
070006061	SHAFT CAM	74-75	22
070006064	SPACER BEARING DISTB ASM	72-73	10
070006065	CLAMP RACE DIST	72-73	11
070006066	ROD END FEMALE DIST	72-73	12
070006067	ROD SAFETY LINK DISTB ASM	72-73	13
070006068	SUPPORT SPRING DRIVE ARM	72-73	14
070006069	NUT SPECIAL DRIVE ARM DISTB	72-73	15
070006071	CAM FOLLOWER DISTRIBUTOR	72-73	16
070006073	WASHER THRUST DIST	72-73	17
070006074	1.252 X 1.917 BEARING ND TH	72-73	18
070006075	1" BEARING ND CLOSED END	72-73	19
070006076	1" BEARING ND OPEN END	72-73	20
070006077	SHAFT DRIVE DIST	72-73	21
070006077	SHAFT DRIVE DIST	79	
070006082	PIN SPRING POST DIST	72-73	22
070006084	BRACKET TRIP STOP SUPPORT	72-73	23
070006087	SLEEVE PIVOT TRIP	72-73	24
070006101	SHAFT-RH MACH.DIST.	72-73	25
070006102	SHAFT-DRIVE ASY-DIST	79	8
070006103	SUPPORT GUIDE LH DISTB ASM	79	9
070006104	SUPPORT GUIDE RH DISTB ASM	74-75	23
070006105	TUBE ASM BELT TIGHTENER	74-75	24

PART#	DESCRIPTION	PAGE#	ITEM#
070006106	BRACKET TRACKING	74-75	25
070006107	TUBE BELT TIGHTENER DISTB ASM	74-75	26
070006108	SPACER ROLLER ASM DISTB ASM	74-75	27
070006108	SPACER ROLLER ASM DISTB ASM	34-35	8
070006109	LINK DISTRIBUTOR TENSION ASM	74-75	28
070006111	SLEEVE SPRING POST	74-75	29
070006111	SLEEVE SPRING POST	72-73	26
070006116	STUD CLAMP	74-75	30
070006116	STUD CLAMP	38-39	9
070006117	BEARING GROOVE CONCENTRIC	74-75	31
070006118	BEARING GRVD ECCENTRIC DIST	74-75	32
070006120	CARRIAGE SUPPORT TUBE	74-75	33
070006125	WORM ADJUSTING DISTB ASM	74-75	34
070006126	FRICTION DISC	72-73	28
070006128	SPRING ASM DISTRIBUTOR DR	72-73	29
070006130	CLUTCH PLATE	72-73	30
070006136	CASTING & BEARING ASM	72-73	31
070006137	BELT GUARD CARRIAGE ASM DISTB	72-73	32
070006139	SPACER INNER DISTB ASM	74-75	35
070006140	SPACER OUTER DISTRIBUTOR	74-75	36
070006143	SPACER	74-75	37
070006149	CAM INDEX DISTB ASM	72-73	34
070006201	DISTRIBUTOR BELT GUIDE	72-73	35
070006201	DISTRIBUTOR BELT GUIDE	76	
070007874	50HZ BLUFFTON FE COMBO MOTOR	74-75	40
070006253	TUBE CROSS LONG	22-23	13
070006254	TUBE SIDE SHORT	36-37	1
070006256	TUBE OUTSIDE BIN SHUTTLE ASM	36-37	2
070006258	TUBE CROSS SHORT	36-37	3
070006259	BRACKET ARM SHUTTLE ASM	36-37	4
070006260	BUMPER-COUNTER-BIN	36-37	5
070006268	STRAP SHUTTLE ASM BIN	36-37	6
070006272	SWITCH CABLE ASM	36-37	7
070006272	SWITCH CABLE ASM	6-7	19
070006272	SWITCH CABLE ASM	8-9	19
070006276	SPRING SHUTTLE DRIVE	34-35	10
070006277	WASHER SPRING SHUTTLE	38-39	11
070006278	LEVER CAM SHUTTLE DR	38-39	12
070006279	GUARD SOLENOID	38-39	13
070006279	GUARD SOLENOID	100-101	10
070006280	CLIP SPRING SHUTTLE DRIVE	38-39	14
070006281	LINK SHUTTLE DRIVE	38-39	15
070006282	LINK SPOTTING SOLENOID	38-39	16
070006283	SPRING SPOTTING SOLENOID	38-39	17
070006284	STUD CLAMP SHUTTLE DR	38-39	18
070006285	SHAFT SHUTTLE DRIVE	38-39	19
070006286	SHAFT CAM LEVER	38-39	20
070006287	PIN LONG	38-39	21
070006289	SHAFT SHUTTLE DRIVE	38-39	22
070006295	LEVER SHUTTLE OP ROD	38-39	23
070006297	TUBE LONG SHUTTLE	38-39	24
070006299	TUBE SHORT ASM SHUTTLE	38-39	26
070006302	PLUG SHUTTLE OP ROD	38-39	27
070006304	ROD ASM SHUTTLE	38-39	28
070006307	LINK ASM SHUTTLE DR	38-39	29
070006310	SPACER	38-39	30
070006320	ADJ SHAFT ASM BALL LIFT SUP	22-23	14
070006320	ADJ SHAFT ASM BALL LIFT SUP	84-85	27
070006325	SHAFT BALL LIFT SUPPORT 4813	94-95	79
070006325	SHAFT BALL LIFT SUPPORT 4813	84-85	28
070006328	SHAFT BALL LIFT SUPPORT 4813	94-95	80
070006328	SHAFT BALL LIFT SUPPORT 4813	84-85	29
070006329	SHAFT BALL LIFT SUPPORT 4813	94-95	81

PART#	DESCRIPTION	PAGE#	ITEM#
070006329	SHAFT BALL LIFT SUPPORT 4813	84-85	30
070006351	ROD ROD ASM BIN ASM	94-95	82
070006353	GUIDE PIN BIN ASM	34-35	11
070006356	SWITCH ACTUATOR BIN	34-35	12
070006358	BRACKET ASM BIN ASM	34-35	14
070006359	BRACKET BIN ASM	34-35	15
070006360	CHANNEL LONG WELDMENT	34-35	16
070006363	CHANNEL SHORT	34-35	17
070006364	SPACER BUTT GUIDE BIN	34-35	18
070006365	SPACER HEAD GUIDE BIN	34-35	19
070006366	SPACER GUIDE PIN HEAD	34-35	20
070006369	GUIDE PIN RH BIN ASM	34-35	21
070006370	GUIDE PIN LH BIN ASM	34-35	22
070006371	SUPPORT BRACKET BIN ASM	34-35	23
070006372	STRINGER CENTER RH	34-35	24
070006373	STRINGER #1 PIN LH	34-35	25
070006376	STRINGER OUTSIDE RH	34-35	26
070006377	STRINGER 4 PIN LH	34-35	27
070006380	PIN GUIDE EAR RH	34-35	28
070006381	PIN GUIDE EAR LH	34-35	29
070006384	BRACKET WELD # 5 PIN ONLY	34-35	30
070006386	TRACK ASM LH	34-35	31
070006388	TRACK ASM. R H	34-35	32
070006389	GUIDE PIN #1	34-35	33
070006390	SPACER	34-35	34
070006402	SHAFT BIN ASM	34-35	35
070006403	STUD CLAMP BIN ASM	34-35	36
070006407	CAP CAM ASM TABLE DR	34-35	37
070006408	LEVER FRONT END ASM	22-23	15
070006417	TABLE CAM WELD	34-35	38
070006420	TABLE CAM SWITCH & LEVER ASM	22-23	16
070006420	TABLE CAM SWITCH & LEVER ASM	27	8
070006427	SHUTTLE CAM	22-23	17
070006429	SHUTTLE OPER ARM ASM RH & LH	22-23	18
070006447	SPRING SHUTTLE ASM	34-35	39
070006449	CAM WELD SB & SC SWEEP	36-37	8
070006450	CAM WELD SA SWEEP	22-23	19
070006457	SHAFT TABLE DRIVE	22-23	20
070006473	CABLE ASM C1	24	8
070006473	CABLE ASM C1	6-7	20
070006478	BRACKET TABLE DRIVE	8-9	20
070006481	LINK ARM ASM SPOT	24	9
070006484	LEVER ASM STOP	24	10
070006492	LINK ARM ASM RESPOT	38-39	31
070006493	BALL JOINT ASM	24	11
070006493	BALL JOINT ASM	24	12
070006496	3/8-16 SCREW HEX TBL DR	22-23	21
070006519	PSP GAUGE	24	13
070006519	PSP GAUGE	36-37	
070006519	PSP GAUGE	36-37	
070006587	TOOL LOCATING ALUMINUM TABLE	42-43	
070006639	WASHER-C	42-43	
070006659	SHAFT TRIP ROCKER ASM	58	27
070006661	TRIP ROCKER ARM WELD	74-75	42
070006666	PULLEY DISTB BELT DRIVE	74-75	43
070006667	TRIP CASTING	72-73	36
070006669	LINK RESPOT	72-73	37
070006672	CARRIAGE CASTING REAR DIST ASM	18-19	25
070006673	LEVER ASM #7 CELL RESPOT YOKE	74-75	44
070006674	CELL ASM #7	48-49	18
070006676	SLEEVE DISTB DRIVE ASM	48-49	19
070006679	.752 X.877 X1.66 BRG SL	72-73	38
070006683	TUBE ASM REAR CSTG ASM	72-73	39

PARTS INDEX - CONTINUED

PART#	DESCRIPTION	PAGE#	ITEM#
070006685	PIVOT TRIP ASM	74-75	45
070006686	PINION GEAR ASM	72-73	40
070006688	CARRIAGE SUPPORT CSTG ASM	72-73	41
070006691	STOP BLADES TRIP ARM	74-75	46
070006692	CLUTCH PLATE ASM	72-73	42
070006693	SHAFT SWITCH ASM	72-73	43
070006694	SPACER SWITCH ASM	28-29	11
070006695	BRACKET SWITCH ASM	28-29	12
070006697	SWITCH ASM TABLE	28-29	13
070006697	SWITCH ASM TABLE	28-29	14
070006724	LINK SPRING SHUTTLE UPPER	42-43	32
070006726	SPOT SOLENOID 60HZ	38-39	32
070006728	CAM FOLLOWER	38-39	33
070006729	DISC SPRING	90-91	13
070006748	SPACER	30-31	22
070006748	SPACER	84-85	31
070006757	BELT DISTRIBUTOR	94-95	83
070006757	BELT DISTRIBUTOR	77	
070006765	SHAFT PLATE	74-75	47
070007016	EVN BELT GUARD 70XL	22-23	22
070007017	ODD BELT GUARD 70XL	100-101	11
070007119	DRIVE ARM ASM PARTIAL	100-101	12
070007199	RESPOT CELL ASM #7	72-73	44
070007250	LINK HUB ASM.	48-49	26
070007276	ROD LINK ASM	30-31	23
070007278	TUBE WELD LINK ASM	52-53	30
070007280	SWEEP LINK ASM TELESCOPE	52-53	31
070007281	ROD END LINK ASM S6179	52-53	32
070007282	ROD END LINK ASM AF-7-G-8	52-53	33
070007283	BUMPER LINK ASM	52-53	34
070007291	.9995 X1.312 X1 03-075 BRG CL	52-53	35
070007295	TABLE SUPPORT ASM RH	84-85	33
070007295	TABLE SUPPORT ASM RH	25	23
070007296	TABLE SUPPORT ASM LH	50	13
070007296	TABLE SUPPORT ASM LH	25	N/S
070007302	SPACER FRONT END	50	14
070007303	SPACER FRONT END	50	15
070007303	SPACER FRONT END	25	25
070007310	.502 X .871 X 1.20 BRG FL	50	16
070007310	.502 X .871 X 1.20 BRG FL	22-23	23
070007311	SLEEVE TABLE DRIVE ASM	30-31	24
070007311	SLEEVE TABLE DRIVE ASM	22-23	24
070007359	DISTRIBUTOR SUPPORT ANGLE	30-31	25
070007360	BRACKET SUPPORT WELDMENT	60	12
070007370	ANGLE PIT LIGHT MOUNT	66-67	30
070007370	ANGLE PIT LIGHT MOUNT	6-7	21
070007586	UNIVERSAL JOINT STEEL	8-9	21
070007591	STRAP	79	10
070007618	LEVER RESPOT ASM	63	8
070007620	LEVER ASM #7 CELL	46-47	25
070007620	LEVER ASM #7 CELL	46-47	26
070007622	LEVER RESPOT ASM	48-49	27
070007623	LEVER RESPOT ASM	42-43	34
070007722	JACKSCREW 1/2 IN.	18-19	27
070007745	COVER CABLE DUCT EXT	58	28
070007745	COVER CABLE DUCT EXT	6-7	22
070007747	COVER	8-9	22
070007747	COVER	6-7	23
070007748	CABLE DUCT LONG FRONT WELDMENT	8-9	23
070007748	CABLE DUCT LONG FRONT WELDMENT	6-7	24
070007751	CABLE-TABLE MTR 3 COND	8-9	24
070007751	CABLE-TABLE MTR 3 COND	6-7	25
070007752	SPACER	8-9	25

PART#	DESCRIPTION	PAGE#	ITEM#
070007755	YOKE WELDMENT ASM TABLE DRIVE	50	17
070007761	KIT-BRACKET SPOT RESPOT	30-31	26
070007761	KIT-BRACKET SPOT RESPOT	25	9
070007846	FIELD KIT FILLER PLATE FF	22-23	25
070007847	FASTNER RUBBER	68	18
070007875	60HZ BLUFFTON FE COMBO MOTOR	68	19
070007902	GEARMOTOR ASM ODD 60HZ	22	
070007903	GEARMOTOR ASM EVN 60HZ	61	26
070008135	LINK ASY	61	27
070008154	PIN PIVOT N07 CELL	38-39	35
070008182	BLOCK BEARING	48-49	29
070008191	BRACKET BALL LIFT	50	18
070008204	SHEAVE	86	6
070008205	SHEAVE ASY BALL LIFT	84-85	34
070008207	RAIL WELD	84-85	35
070008210	SHEAVE PADDLE DRIVE	82-83	17
070008211	SHEAVE	84-85	36
070008212	SPACER	84-85	37
070008212	SPACER	84-85	38
070008215	BELT TIGHTENER WELD BALL LIFT	92-93	N/S
070008217	SPACER	84-85	39
070008218	SPACER	84-85	40
070008321	ARM LATCH ASM	84-85	41
070008322	LINK ACTUATOR TABLE DRIVE ASM	30-31	27
070008325	PIN ACTUATOR ASM	30-31	28
070009811	RECEPTACLE ASM. (MASK)	30-31	29
070009815	VARISTOR ASM	16-17	17
070009821	CIRCUIT BREAKER SPECIAL	16-17	18
070009823	PLATE+ADAPTR&SCREW	63	9
070009860	MP BOARD W/LEDS	63	10
070009872	CBL+RELAY XOP BOARD	16-17	19
070009890	SIMPL8270*CLUTCHASM	15	
070009891	FRICTION DISC	79	
070009892	FRICTION PLATE	79	
070009893	BEARING CLUTCH PINION	79	
070009894	CLUTCH PLATE	79	
070009896	COMPRESSION SPRING	79	
070010238	PIVOT BRACKET FRONT GUARD ASM	79	
070011002	SUPPORT LOWER BALL LIFT	100-101	13
070011004	TUBE & SUPPT ASM	84-85	42
070011005	DOOR WELD LHM EVN BALL LIFT	84-85	43
070011005	DOOR WELD LHM EVN BALL LIFT	58	29
070011006	DOOR WELD RHM ODD BALL LIFT	82-83	N/S
070011006	DOOR WELD RHM ODD BALL LIFT	58	30
070011009	BEARING HOUSING WELD BALL LIFT	82-83	N/S
070011013	CRANK WELD BALL LIFT	92-93	4
070011018	BALL GUIDE	92-93	5
070011027	SHAFT BALL LIFT	86	7
070011029	NUT RATCHET ARM BALL LIFT	92-93	6
070011032	SPRING RATCHET ASM BALL LIFT	92-93	8
070011033	PULLEY RATCHET BALL LIFT	92-93	11
070011034	EXTENSION ROD	92-93	12
070011035	STRAP	82-83	18
070011036	BRG & HOUSING ASM BALL LIFT	82-83	19
070011037	CRANK ASM	92-93	13
070011039	RATCHET ASM	92-93	14
070011041	BELT TIGHTENER	92-93	15
070011042	BELT TIGHTENER ASM BALL LIFT	84-85	45
070011052	BALL LIFT ASM	84-85	46
070011052	BALL LIFT ASM	82-83	20
070011063	SHAFT	84-85	47
070011064	V-BELT	86	8
070011064	V-BELT	82-83	21

PART#	DESCRIPTION	PAGE#	ITEM#
070011066	RUDDER ARM SUPPORT ASM	92-93	17
070011067	RUDDER ARM SUPPORT	90-91	15
070011067	RUDDER ARM SUPPORT	90-91	16
070011068	LINK WELD	94-95	84
070011077	TRIP FINGER	90-91	17
070011079	RUDDER DRIVE WELDMENT	90-91	18
070011080	RUDDER DRIVE ASM	90-91	19
070011092	CRANK SHAFT WELD	90-91	20
070011096	ROLLER	90-91	21
070011097	CRANK PULLEY	90-91	22
070011098	SLEEVE	90-91	23
070011100	CAM SENSOR WELD	90-91	24
070011105	ROLLER ASM	90-91	25
070011106	SPRING EXTENSION	90-91	26
070011106	SPRING EXTENSION	88	6
070011107	TRIP ARM	82-83	22
070011108	WASHER	90-91	27
070011109	SPRING CLIP	90-91	28
070011110	CAM SENSOR ASM	88	7
070011120	LIGHT BALL SENSOR ASM	90-91	29
070011121	PLUG	90-91	30
070011122	RUDDER ARM	90-91	31
070011123	ROD ASM	90-91	32
070011124	ROD	90-91	33
070011131	PULLEY WELDMENT	90-91	34
070011131	PULLEY WELDMENT	87	7
070011132	BELT TENSIONER ASM	88	8
070011132	BELT TENSIONER ASM	88	9
070011132	BELT TENSIONER ASM	82-83	23
070011133	SHAFT	94-95	85
070011146	PADDLE	88	10
070011147	V-BELT	90-91	35
070011147	V-BELT	82-83	24
070011148	V-BELT	90-91	36
070011148	V-BELT	87	8
070011148	V-BELT	88	11
070011151	SPACER	82-83	25
070011170	TRIP CABLE ASM DISTRIBUTOR ASM	90-91	37
070011171	CABLE	74-75	48
070011172	7/16 BALL JOINT	74-75	49
070011173	BALL JOINT 9/16	74-75	50
070011178	CRANK ASM	74-75	51
070011178	CRANK ASM	82-83	26
070011211	DECAL DANGER	90-91	38
070011217	RATCHET ARM WELD BALL LIFT	100-101	14
070011218	ARM LEVER WELDMENT	92-93	18
070011225	CRANK ADJ PLATE WELD	86	9
070011250	BRACKET STRT SW PROTECTION	90-91	39
070011273	TAB	61	28
070011280	LIFTBELT-DEEP GROOVE	90-91	41
070011286	BUSHING CURTAIN ROD	84-85	48
070011288	ROD CURTAIN	58	31
070011289	BRACKET SHOCK ABSORBER	66-67	31
070011289	BRACKET SHOCK ABSORBER	84-85	49
070011299	BRACE SENSOR	94-95	86
070011310	SUPPORT BE MOTOR GUARD	90-91	42
070011319	SUPPORT RUDDER ARM	82-83	27
070011319	SUPPORT RUDDER ARM	90-91	43
070011323	SHOCK ABSORBER ASM BALL LIFT	94-95	87
070011323	SHOCK ABSORBER ASM BALL LIFT	84-85	50
070011375	LEVER ARM ASM STD	94-95	88
070011392	PW BELT GUARD RH MACH	86	10
070011393	PW BELT GUARD LH MACH	100-101	15

PART#	DESCRIPTION	PAGE#	ITEM#
070011401	GUARD WELDMENT	100-101	16
070011406	RUDDER CAM ASM RH	100-101	17
070011407	RUDDER CAM ASM LH	90-91	44
070011408	PADDLE KICKER ROLLER	90-91	45
070011411	LIFT ARM WELDMENT TRACK ASM	94-95	89
070011413	LIFT ASM TRACK ASM PBL	86	11
070011414	TRACK RAIL ASM PBL	86	12
070011418	TRIP CAM	82-83	28
070011429	RED DOUBLE CONCAVE KICKER	90-91	46
070011435	KICKER ROLLER (ORANGE ROUND)	96	
070011440	TRACK COVER LOWER	96	
070011523	BELT TIGHTENER RH	86	13
070011523	BELT TIGHTENER RH	89	4
070011524	BELT TIGHTENER LH	94-95	90
070011524	BELT TIGHTENER LH	89	5
070011525	IDLER SHEAVE ASY	94-95	91
070011526	IDLER SHEAVE BELT TIGHTENER	89	6
070011626	TRIP ARM ASM	89	7
070011635	KICKER ROLLER-YELLOW CONCAVE	90-91	47
070011636	KICKER ROLLER (GREEN, REV.HUB)	96	
213.1	CONTACTOR BRACKET	96	
213.1	CONTACTOR BRACKET	14-15	33
070011755	AUX CONTACTOR RELAY 50/60HZ	16-17	20
070011755	AUX CONTACTOR RELAY 50/60HZ	14-15	34
070011795	SHAFT UPPER D BALL ELEV ASM	16-17	21
070011796	SHAFT LOWER D BALL ELEV ASM	84-85	51
070011797	BALL BEARING D BORE 8 BALL	84-85	52
070011800	HARNES LH-C1 & C2A	84-85	53
070011810	BELT TIGHTENER PKG B/R PBL	6-7	26
070011810	BELT TIGHTENER PKG B/R PBL	89	8
070011814	SPOTTNG CUP-GLASS FILLED LEXAN	82-83	29
070011832	PRESSURE PLATE BALL LIFT	44-45	31
070011840	VELCRO CUSHION COVER	84-85	54
070011840	VELCRO CUSHION COVER	65	
070011841	LOOP CUSHION RH	66-67	N/S
070011841	LOOP CUSHION RH	65	
070011842	LOOP CUSHION LH	66-67	N/S
070011842	LOOP CUSHION LH	65	
070011905	DISTB BELT GRIP GRAY 3PK LACES	66-67	N/S
070011905	DISTB BELT GRIP GRAY 3PK LACES	77	
070011909	POLY V DISTRIBUTOR BELT	74-75	52
070011909	POLY V DISTRIBUTOR BELT	77	
070011910	ORIENTATION PAN WIPE	74-75	53
070011912	UNIBAR BELT LACING & PIN	76	
088000093	SWEEP LINK NO HOLE STABILIZER	77	
088001089	DECAL SWEEP QAMF 90XLI	52-53	36
088001120	EVEN MACHINE TREAD PLATE	55	4
088001121	ODD MACHINE TREAD PLATE	60	13
088001154	END GUARD SAFETY LABEL	60	14
088001174	LH END GUARD KIT CE MACHINE	100-101	18
088001174	LH END GUARD KIT CE MACHINE	100-101	19
088001211	PIN HOLDER XLI SHUTTLE ASM	22-23	
088001211	PIN HOLDER XLI SHUTTLE ASM	36-37	9
088001216	SWEEP FRAME GAGE	36-37	
088001216	SWEEP FRAME GAGE	55	
088001216	SWEEP FRAME GAGE	76	
088001217	YOKE TOE GAGE	42-43	
088001230	THIMBLE	42-43	
088001231	RAIL COVER CLEAR	86	14
088001232	RAIL COVER BLACK	86	15
088001233	BALL LIFT BELT	86	15A
088001233	BALL LIFT BELT	86	
088001233	BALL LIFT BELT	82-83	

PARTS INDEX - CONTINUED

PART#	DESCRIPTION	PAGE#	ITEM#
088001233	BALL LIFT BELT	84-85	55
088001351	1/2 MALE ROD END LH	94-95	92
088001352	1/2 MALE ROD END RH	52-53	37
088001631	SHUTTLE ROD ASM LG SPR	52-53	38
088005501	SPOT TIE ROD ASM	38-39	36
070002784	LINER SPOTTING CUP	25	10
088500155	TUBE LONG SHUTTLE ASM	86	17
088500157	TUBE SHUTTLE CENTER	36-37	10
088500161	CLAMP END SHUTTLE ASM	36-37	11
088500162	90 XLI SHUTTLE ASM METRIC	36-37	12
088500166	STRAP SPRING BIN	36-37	13
090001170	SWEEP BRACKET RIGHT HAND	36-37	14
090001170	SWEEP BRACKET RIGHT HAND	54	
090001171	SWEEP BRACKET LEFT HAND	55	5
090001171	SWEEP BRACKET LEFT HAND	54	
090002014	IDLER SHAFT	55	6
090002015	BELT TENSIONER ASM	87	9
090002016	SPRING EXTENSION	87	10
090002024	CRADLE LINER	87	11
090002024	CRADLE LINER	86	18
090002538	CONNECTOR BRACKET TABLE	44-45	32
090003077	ORIENTOR PAN ZINC PLATED	18-19	28
090003401	CLUTCH RACE LONG	72-73	47
090003401	CLUTCH RACE LONG	84-85	56
090003459	DAMPENER BASE	94-95	93
090003634	CAPACITOR/RESISTOR ASM.	38-39	37
090003739	CABLE SOLENOID ADAPTER	62	5
090003795	ROLLER PLASTIC COUNTERBALANCE	38-39	38
090004007	TUBE HANGER WELD	50	19
090004007	TUBE HANGER WELD	50	
090004010	SWEEP ROCKER ARM WELD	52-53	39
090004028	WARNING LABEL	52-53	40
090004033	SPRING RETAINER	100-101	20
090004123	RESPOT FINGER ASM	44-45	34
090004123	RESPOT FINGER ASM	46-47	28
090004123	RESPOT FINGER ASM	46-47	29
090004123	RESPOT FINGER ASM	48-49	30
090004126	KICKPLATE WELDMENT RH/RHM 8290	48-49	31
090004126	KICKPLATE WELDMENT RH/RHM 8290	58	34
090004127	KICKPLATE WELDMENT LH/RHM	82-83	30
090004128	KICKPLATE WELDMENT RH LHM	59	38
090004129	KICKPLATE WELDMENT LH/LHM 8290	59	39
090004129	KICKPLATE WELDMENT LH/LHM 8290	58	35
090004521	RECEPTICAL HOUSING	82-83	31
090004521	RECEPTICAL HOUSING	62	6
090005015	TORQUE TUBE BEARING	22-23	26
090005015	TORQUE TUBE BEARING	50	
090005118	HANDRAIL 90XL	52-53	41
090005230	CUSHION COVER	100-101	21
090005250	3/8 RH ROD END	66-67	35
090005250	3/8 RH ROD END	86	19
090005250	3/8 RH ROD END	34-35	40
090005251	TIE ROD ASM RESPOT	90-91	49
090005253	TIE ROD ASM TABLE LEVELING	25	11
090005254	TIE ROD ASM SWEEP DRIVE	25	26
090005256	ROD END DISTRIBUTOR SUPPORT	52-53	42
090005256	ROD END DISTRIBUTOR SUPPORT	99	
090005257	7/16 ROD END RH	38-39	39
090005258	ROD ASM	52-53	44
090005259	ADJUSTABLE LINKAGE	90-91	50
090005262	ROD LINK ASM W/SPG SUPPORT	86	20
090005263	CONNECT ROD ASM. SHUTTLE	72-73	48
090005264	7/16 RH ROD END	38-39	40

PART#	DESCRIPTION	PAGE#	ITEM#
090005264	7/16 RH ROD END	25	12
090005265	7/16 LH ROD END	52-53	45
090005265	7/16 LH ROD END	25	13
090005270	PHENOLIC BOUNCE BD FRONT ODD	52-53	46
090005271	PHENOLIC BOUNCE BD FRONT EVEN	68	22
090005272	PHENOLIC BOUNCE BD REAR ODD	68	23
090005273	PHENOLIC BOUNCE BD REAR EVEN	68	24
090005275	BOUNCE BOARD ASM RH	68	25
090005276	BOUNCE BOARD ASM LH	68	26
090005554	ACTUATOR ARM	68	27
090005629	PIN	44-45	35
090006124	CARPET BELT PUMPKIN TAN	42-43	35
090006124	CARPET BELT PUMPKIN TAN	68	20
090006136	SHOCK MOUNT	69	
090006136	SHOCK MOUNT	54	
090006166	DECAL AMF SWEEP GLOW	52-53	N/S
090006663	TRIP STOP RPD ASM	55	7
090006665	TRIP SUPPORT CASTING	72-73	49
090006668	TRIP ROD ASM	72-73	50
090006668	TRIP ROD ASM	76	
090008017	DUAL PIT LIGHT ASM. 36"	72-73	51
090008017	DUAL PIT LIGHT ASM. 36"	6-7	27
146005277	WASHER	8-9	26
190001490	.8750 X1.875 X.5 BEARING BL	84-85	57
190001490	.8750 X1.875 X.5 BEARING BL	22-23	27
190001490	.8750 X1.875 X.5 BEARING BL	30-31	30
300000175	CAP SWEEP BAR	44-45	36
300000182	SWEEP BAR & CAP ASM	55	8
610000009	MAN-82-70 WIRING	55	9
610007030	MAN-PC BD COMP W/CV	9	
610049510	GRIPPER PBL KIT	17	
610070300	M/P CHASSIS 60 CYCLE CONVERS	86	
610070301	SS CHASSIS KIT 115 60HZ	17	
610070302	SS CHASSIS KIT 230V 50HZ	17	
610088086	PBL MINI KIT	17	
610088086	PBL MINI KIT	99	
610088087	PBL FULL KIT	82-83	N/S
610090016	SOLENOID KIT	82-83	N/S
610309044	SWITCH MOTOR SOLID STATE	38-39	41
610309046	SWITCH MOTOR BE SOLID STATE	23	
610309046	SWITCH MOTOR BE SOLID STATE	61	
610700150	SWEEP KIT - P/S PAIR	62	7
610700153	KIT END MACHINE	54	
610700156	ROCKER ARM REPLACEMENT KIT	22-23	
610703060	SWEEP BAR KIT 90 STYLE PAIR	52-53	48
610704001	RESPOT CELL FINGER KIT	54	
610704001	RESPOT CELL FINGER KIT	46-47	30
610704002	CAM FOLLOWER ASM	48-49	32
610704002	CAM FOLLOWER ASM	24	15
610704003	TORQUE TUBE	38-39	42
610704005	PINION & SLEEVE ASM	50	20
610704006	KIT CLUTCH PLATE ASM	72-73	52
610704006	KIT CLUTCH PLATE ASM	76	
610704010	TABLE CABLE REPLACEMENT KIT	72-73	53
610704011	YOKE REPAIR KIT	18-19	30
610704012	KIT TABLE DR ACT ASY	44-45	
610704014	KIT BALL IDLING BRACKET	30-31	
610704015	LINK ASM	68	28
610704026	KIT-#7RESPT LVR ASY	38-39	43
610704032	XLI DISTRIBUTOR ASM	48-49	33
610704005	PINION & SLEEVE ASM	74-75	54
610088086	PBL MINI KIT	79	
610704098	PBL TEMPLATE & DRILL BITS	99	

PART#	DESCRIPTION	PAGE#	ITEM#
610704103	KIT-SPRING ROLLER	82-83	N/S
610704103	KIT-SPRING ROLLER	26	
610704103	KIT-SPRING ROLLER	50	
610704120	CONV KIT DBL-SGL SOL	22-23	
610704120	CONV KIT DBL-SGL SOL	22-23	
610704127	KIT FF LATCH OVERRIDE	38-39	44
610704133	KIT-PIN-TBL DRV REPL	24	16
610704141	KIT RELAY BRKT INSTR	30-31	
610704141	KIT RELAY BRKT INSTR	14-15	40
610709811	82-70 DB W/LACES BLK-R	16-17	22
610709811	82-70 DB W/LACES BLK-R	77	
610709870	XOP BOARD	74-75	55
610900709	START SHAFT & SPACER KIT LOWR	15	
610900709	START SHAFT & SPACER KIT LOWR	84-85	58
610900711	STRAIGHT SHFT & SPCR KIT UPPER	94-95	95
610902026	FE BE BRACKET REPAIR KIT	84-85	59
610902026	FE BE BRACKET REPAIR KIT	58	36
610905704	STRAIGHT BORE BRG & SPCR KIT	59	40
610905704	STRAIGHT BORE BRG & SPCR KIT	84-85	60
612070012	CNTR BAL SPRG EYE REPAIR KIT	94-95	96
612070012	CNTR BAL SPRG EYE REPAIR KIT	26	
612070013	LIFT PRESSURE KIT ASM	50	
612070013	LIFT PRESSURE KIT ASM	97	
612070013	LIFT PRESSURE KIT ASM	82-83	N/S
612070014	REAR ROLLER REPAIR KIT 8270	84-85	61
612070014	REAR ROLLER REPAIR KIT 8270	68	N/S
612070040	THERMAL DELAY RELAY KIT	70	
612088226	SHUTTLE CONNECT ROD SPRING KIT	15	
612700001	CLUTCH KIT 82-70	38-39	45
612703015	CLUTCH KIT W/SHAFT	76	
612903001	36" FIXTURE CONVERSION KIT	79	
700107170	RC609/10ML BOT ADHESIVE LOCTIT	7	
700107170	RC609/10ML BOT ADHESIVE LOCTIT	38-39	46
701021010	BALL BEARING	84-85	62
701320046	.628 X 1 X 1/16 BEARING TH	62	8
701416058	.502 X.627 X1.0 BEARING FL	42-43	38
701710098	.313 BORE SPYRALIGN BEARING	38-39	47
701712097	.375 X .628 OI SP BEARING	74-75	57
701849124	1/4-20 BALL BRG THREADED BORE	72-73	54
709007037	3/8 X 2 1/4 BOLT TAPER ANCR HH	74-75	58
710501002	FITTING-ALMTE*1612B	59	41
710501004	FITTING ALEMITE #1641 GREASE	68	30
710501004	FITTING ALEMITE #1641 GREASE	22-23	29
710501007	#1792B FITTING ALEMITE	30-31	31
710501007	#1792B FITTING ALEMITE	34-35	42
710501009	#3006 FITTING ALEMITE	84-85	63
710501009	#3006 FITTING ALEMITE	24	17
710501009	#3006 FITTING ALEMITE	50	21
710501009	#3006 FITTING ALEMITE	58	37
710501009	#3006 FITTING ALEMITE	59	42
710501012	#1911B FITTING ALEMITE	42-43	39
710501012	#1911B FITTING ALEMITE	24	18
710501013	GREASE FITTING	38-39	48
710501013	GREASE FITTING	25	14
710501013	GREASE FITTING	52-53	49
710502010	FITTING * 0640S	52-53	50
710502010	FITTING * 0640S	86	21
710502010	FITTING * 0640S	38-39	49
711516020	1.063 OD X.500 ID X.375 GROMME	90-91	51
711520017	GPI STRN RELIEF X.88 X.19 RB1	34-35	43
711520017	GPI STRN RELIEF X.88 X.19 RB1	6-7	28
713510007	PAWL CHASSIS COVER	8-9	27
713510007	PAWL CHASSIS COVER	14-15	41

PART#	DESCRIPTION	PAGE#	ITEM#
715010205	LUBE-RNDL PLSTC'E'	16-17	23
715021706	LUBE OIL - MOBIL 600W	76	
715021716	GEAR OIL 600W 1 QT	61	
718506006	ELBOW ST 90 DE 6 1/4	61	
721502005	BUSHING RUBBER MONRO SHK	22-23	30
722971522	.480 X 7/8 COMPRESSION SPRING	66-67	36
722985512	SPRING COMPRESSION	90-91	52
724501072	TIN-CLIP-CBL.C 4506S	90-91	53
724511006	TIN NUT SPD C814-832	61	29
724511050	TIN-CLIP-TY'U'C-8111	63	11
724511050	TIN-CLIP-TY'U'C-8111	14-15	42
724511074	TIN NUT SPD 'U' C-1505	16-17	24
724511074	TIN NUT SPD 'U' C-1505	6-7	29
724517107	.315 RING COMP TINN	8-9	28
730023015	SHELL	44-45	39
730027019	STUD BALL HEAD	18-19	33
730035025	CLIP BALL JOINT BRASS	18-19	34
730036025	CLIP SILVER	18-19	35
740501001	BALLAST 120/60 PREHEAT	18-19	36
740501001	BALLAST 120/60 PREHEAT	6-7	30
740501018	BALLAST UNIVERSAL 115-227V	8-9	29
740501018	BALLAST UNIVERSAL 115-227V	6-7	31
742502002	CAP NYLON INSL BU2007	8-9	30
742502002	CAP NYLON INSL BU2007	6-7	32
742503004	SPLICE CAP BUCH 2006S	8-9	31
742503004	SPLICE CAP BUCH 2006S	6-7	33
743000015	CAPACITOR 270 300	8-9	32
743000017	CAPACITOR MTR 270-324MFD110AC	62	9
743000020	CAPACITOR 460 552 MFD 110 AC	62	10
743000020	CAPACITOR 460 552 MFD 110 AC	6-7	34
743000125	CAPACITR 378-454	8-9	33
743502024	CIRCUIT BREAKER-2 AMP	62	11
743502024	CIRCUIT BREAKER-2 AMP	14-15	43
743506006	CIRC BRKR-3 AMP	16-17	25
743506006	CIRC BRKR-3 AMP	14-15	44
743507007	CIRC BRKR-1 AMP	16-17	26
744203014	CLAMP BURNDY HP-6N	16-17	27
744203014	CLAMP BURNDY HP-6N	27	9
744203014	CLAMP BURNDY HP-6N	6-7	35
744203014	CLAMP BURNDY HP-6N	8-9	34
746001016	#3302 1/2 CONNECTOR STR	34-35	44
746001016	#3302 1/2 CONNECTOR STR	10	12
746001016	#3302 1/2 CONNECTOR STR	6-7	36
746001016	#3302 1/2 CONNECTOR STR	8-9	35
746003008	CONNECTOR 90DEG*266 3/8	34-35	45
746003008	CONNECTOR 90DEG*266 3/8	6-7	37
746007105	INSULATD LINE SPLICE	8-9	36
746605011	CONTACT BLOCK MALE 2-PIN	12-13	9
746605011	CONTACT BLOCK MALE 2-PIN	6-7	38
746605011	CONTACT BLOCK MALE 2-PIN	8-9	37
748010034	TRANSIENT VOLTAGE SUPPRESSOR (T	100-101	22
749537068	3/16 ID WASHER ALUMINUM	16-17	28
751001254	F30T12D RS LAMP DAYLIGHT	55	11
751001254	F30T12D RS LAMP DAYLIGHT	6-7	39
751001423	LAMP FLOURESCENT F30T12CWRS	8-9	38
751001423	LAMP FLOURESCENT F30T12CWRS	6-7	OBS
751001460	BULB BLACK LIGHT BLUE 36"	8-9	OBS
751001460	BULB BLACK LIGHT BLUE 36"	6-7	40
751001471	DAYLIGHT BULB 36" F25T8	8-9	39
751001471	DAYLIGHT BULB 36" F25T8	6-7	41
754010336	PLUG ARROW HART 60HZ	8-9	40
754010336	PLUG ARROW HART 60HZ	10	17
754010336	PLUG ARROW HART 60HZ	6-7	42

PARTS INDEX - CONTINUED

PART#	DESCRIPTION	PAGE#	ITEM#
754010337	PLUG-ARROWHRT 50HZ	8-9	41
754010337	PLUG-ARROWHRT 50HZ	10	18
754010337	PLUG-ARROWHRT 50HZ	6-7	43
754020312	#4720 CONNECTOR MAL TWIST LK	8-9	42
754020312	#4720 CONNECTOR MAL TWIST LK	6-7	44
755010303	RECEPTACLE 3WIRE TWISTLOCK	8-9	43
755010303	RECEPTACLE 3WIRE TWISTLOCK	6-7	45
755020359	RECEPTABLE 3WIRE 30A 125V	8-9	44
755020359	RECEPTABLE 3WIRE 30A 125V	10	19
755020359	RECEPTABLE 3WIRE 30A 125V	6-7	46
755504006	RELAY P&B KA5AV 24V	8-9	45
755504048	RELAY P&B T91	16-17	29
756001008	RECTIFIER-SILICON BRIDGE	16-17	30
612070025	82-70 STOP SWITCH REPLACE KIT	16-17	31
612070025	82-70 STOP SWITCH REPLACE KIT	6-7	47
612070025	82-70 STOP SWITCH REPLACE KIT	8-9	46
760001070	TERMINAL-ADAPTER-3000S-5-1	100-101	23
760005129	TERMNAL AMP #583361-4	16-17	32
760006195	TERM FLG.250X.032 LP	16-17	33
760006195	TERM FLG.250X.032 LP	20	2
760015038	TERM AMP 41473 REEL	12-13	10
760015038	TERM AMP 41473 REEL	10	2
760015038	TERM AMP 41473 REEL	10	5
760015055	TERM-SPDE AMP 60474-2	62	12
760017036	TERMINAL STRAIGHT AMP41729	10	20
760017036	TERMINAL STRAIGHT AMP41729	10	3
760017036	TERMINAL STRAIGHT AMP41729	10	6
760017036	TERMINAL STRAIGHT AMP41729	10	21
760017036	TERMINAL STRAIGHT AMP41729	11	6
760017036	TERMINAL STRAIGHT AMP41729	20	3
760017044	TERM STR-AMP41772 RL	12-13	12
760022150	TERMINAL-18-14 GA WIRE	10	13
761700002	VARISTOR	12-13	14
762011011	TRANSFORMER 115/230 50/60	16-17	34
762015015	TRANSFORMER 120 50/60	16-17	35
770008009	PANDUIT SPIR WRAP T25RM FLAME	16-17	36
770011010	TYRAP 14.19" LONG T50L	18-19	38
770011010	TYRAP 14.19" LONG T50L	50	22
770011010	TYRAP 14.19" LONG T50L	6-7	48
770011029	TYRAP 7.31"LONG T50R CABLE TIE	8-9	47
770011029	TYRAP 7.31"LONG T50R CABLE TIE	12-13	15
784003000	HANDLE CARPET INSTALL TOOL	18-19	39
785501389	THERMOTECTOR 70 BE GE	70	
785501394	THERMAL PROTECTOR	62	13
785501508	THERMAL PROTECTOR - 50 CYCLE	62	14
785501509	CAPACITOR 60HZ	62	15
785501528	CAPACITOR	62	16
785501564	THERMAL PROTECTOR #MEG-40ED	62	17
785501655	RECPT ASM WEST COMB	62	18
785501671	CAPACITOR COVER	22-23	31
785501702	STATIONARY SWITCH	62	19
785501703	THERMAL PROTECTOR	62	20
785501704	CAPACITOR	62	21
785501705	#8-32 X 7.50 THRU BOLT	62	22
785501706	END BELL	62	23
785501708	WAVE SPRING WASHER	62	24
785501709	CAPACITOR COVER	62	25
785501720	MTR EVN BE 60HZ W/WORM SHAFT	62	26
785501721	MTR ODD BE 60HZ W/WORM SHAFT	62	27
785501722	MTR EVN BE 50HZ W/WORM SHAFT	62	28
785501723	MTR ODD BE 50HZ W/WORM SHAFT	62	29
785501737	CENTRIFUGAL MECHANISM	62	30
785502079	CAPACITOR 161 193MF 125V	62	31

PART#	DESCRIPTION	PAGE#	ITEM#
785502080	3/4 MANUAL PHENOLIC KLIXON	62	32
785502202	SCR+RDHD 3X10MM	62	33
785502258	NATL BE LH/RH 50HZ	22-23	32
785502258	NATL BE LH/RH 50HZ	61	
785502259	NATL BE LH/RH MOTOR 60HZ	62	34
785502259	NATL BE LH/RH MOTOR 60HZ	61	
785502260	NATL REPLACE COMBO MTR 50HZ	62	35
785502261	NATL COMBO MTR 60HZ	22	
791003003	CONTINUITY TESTER	22	
791003004	CIRCUIT TESTER	20	
791003004	CIRCUIT TESTER	6	
792018020	PT27 PICK UP TOOL	20	
792020044	COMB SQUARE	70	
792501001	TOOL CARPET REMOVING PIN	42-43	
792502002	TOOL CARPET FLAG	70	
792505005	TOOL SPECIAL HOOK	70	
792505005	TOOL SPECIAL HOOK	23	
792505005	TOOL SPECIAL HOOK	70	
792505005	TOOL SPECIAL HOOK	76	
792505005	TOOL SPECIAL HOOK	36-37	
792505005	TOOL SPECIAL HOOK	36-37	
792505005	TOOL SPECIAL HOOK	42-43	
792506033	INSERT RESPOT	82-83	
792506033	INSERT RESPOT	46-47	31
792512019	CRIMPING TOOL	48-49	34
792512019	CRIMPING TOOL	6	
792514040	BEARING INSERTION TOOL YOKE	20	
792514040	BEARING INSERTION TOOL YOKE	82-83	
792514041	BEARING REMOVAL TOOL YOKE	92-93	
792514041	BEARING REMOVAL TOOL YOKE	82-83	
792516021	RUFF TOP BELT SKIVER	92-93	
792516021	RUFF TOP BELT SKIVER	76	
792517037	TORPEDO LEVEL 9"	78	
793511045	WRENCH SPANNER	76	
801239160	BOLT CARRIAGE 10-24X1 W/O NUTS	82-83	
804557731	U-BOLT - SWEEP MTGN	100-101	24
807265060	3/8-16 X 3/8 SCR STSO CP	52-53	N/S
807265060	3/8-16 X 3/8 SCR STSO CP	82-83	33
807265080	3/8-16 X 1/2 SCREW SSCP	84-85	65
809849085	1/4-20 X1/2 SCR HDD GR 8 BLK	84-85	66
809849085	1/4-20 X1/2 SCR HDD GR 8 BLK	6-7	49
809849085	1/4-20 X1/2 SCR HDD GR 8 BLK	8-9	48
809849085	1/4-20 X1/2 SCR HDD GR 8 BLK	18-19	40
809849125	1/4-20 X 3/4 SCREW HDD BLACK	34-35	47
809849125	1/4-20 X 3/4 SCREW HDD BLACK	59	43
809849125	1/4-20 X 3/4 SCREW HDD BLACK	61	32
809849125	1/4-20 X 3/4 SCREW HDD BLACK	6-7	50
809849125	1/4-20 X 3/4 SCREW HDD BLACK	8-9	49
809849125	1/4-20 X 3/4 SCREW HDD BLACK	34-35	48
809849125	1/4-20 X 3/4 SCREW HDD BLACK	66-67	39
809849125	1/4-20 X 3/4 SCREW HDD BLACK	72-73	56
809857565	5/16-18 X 3 1/2 SCREW HEX	74-75	62
809865285	3/8-16 X 1 3/4 SCREW HX GR 8	61	35
809865285	3/8-16 X 1 3/4 SCREW HX GR 8	52-53	52
809869285	7/16-14 X 1 3/4 SCREW HEX	82-83	35
811921082	#4-40 X 0.50 SCR FHPM ZN	25	16
811921082	#4-40 X 0.50 SCR FHPM ZN	63	12
812627122	SCR-RDHD+ 6-32X3/4	16-17	37
812627122	SCR-RDHD+ 6-32X3/4	10	22
812627122	SCR-RDHD+ 6-32X3/4	6-7	51
813227162	SCR-PNHD+ 6-32X1 CD	8-9	50
813227162	SCR-PNHD+ 6-32X1 CD	6-7	53
813327062	#6-32 X 3/8 SCREW PAN HEAD	8-9	52

PART#	DESCRIPTION	PAGE#	ITEM#
818227062	#6-32 X .375 SCR SEMS PHP ZN	14-15	45
818227062	#6-32 X .375 SCR SEMS PHP ZN	14-15	49
818227102	SCR-SMRD+6-32X5/8	22-23	40
818227102	SCR-SMRD+6-32X5/8	14-15	51
818233042	#8-32 X 1/4 SCREW SMRD+	16-17	40
821438082	#10 X 1/2 SCREW TAP HD TYPE	14-15	52
829905042	SCR-DRPK OX1/4 TY U	94-95	111
829905042	SCR-DRPK OX1/4 TY U	63	17
829905042	SCR-DRPK OX1/4 TY U	6-7	62
834549002	1/4-20 NUT HEX CAD PLATED	8-9	61
835565002	3/8-16 CD NUT HEX JAM	74-75	68
835565002	3/8-16 CD NUT HEX JAM	38-39	58
835565002	3/8-16 CD NUT HEX JAM	44-45	45
835566002	3/8-24 HEX JAM NUT	94-95	113
835566002	3/8-24 HEX JAM NUT	86	29
835566002	3/8-24 HEX JAM NUT	99	
835566002	3/8-24 HEX JAM NUT	34-35	58
835566002	3/8-24 HEX JAM NUT	38-39	59
835582002	5/8-18 NUT HEX JAM	90-91	63
835582002	5/8-18 NUT HEX JAM	52-53	58
838682000	5/8-18 HEX LOCK NUT THIN	72-73	61
843121002	#4-40 NUT KEPS ZINC	79	
843121002	#4-40 NUT KEPS ZINC	63	18
843121002	#4-40 NUT KEPS ZINC	14-15	57
846100000	NUT KL1/2CNDUT TB141	16-17	45
900108081	.503 X 1/2LG BRG SL BRZ	10	15
900108141	.503 X 7/8 BEARING SL LG	94-95	121
900112121	.753 X 3/4 LG BEARING SL	61	41
900112121	.753 X 3/4 LG BEARING SL	89	10
900208120	.503 X .625 X .75 BEARING FL	94-95	125
913437200	.187 X 1 1/4 PIN SPRING	87	13
916931256	RESISTOR 20W+/-10% 1.25K	94-95	129
916931256	RESISTOR 20W+/-10% 1.25K	6-7	69
933623050	RVT-SEMI TUBLR STL	8-9	68
933623050	RVT-SEMI TUBLR STL	46-47	36
937710005	ALUMINUM DRIVE RIVET	48-49	41
940372000	SLEEVEING - 1/2 DIA	59	57
945091242	1 X 1 1/2 WASHER	10	16
948631062	5/32 X 3/8 X 3/64 WASHER	66-67	49
950001008	.750 X 1.25 X.080 F/LO NYLON	34-35	67
957000002	#6 EXT TOOTH LOCK WASHER	84-85	N/S
958584002	3/8 INT EXT TOOTH LOCK WASHER	38-39	70
000021442BG	WASHER BAG/10	86	36
000021992BG	#2250 BUMPER GROMMET BAG/10	38-39	2
000021992BG	#2250 BUMPER GROMMET BAG/10	61	2
000022296BG	INSULATOR SWITCH BAG/10	34-35	2
000022296BG	INSULATOR SWITCH BAG/10	61	4
000022296BG	INSULATOR SWITCH BAG/10	6-7	1
000022296BG	INSULATOR SWITCH BAG/10	8-9	1
000022869BG	WASHER 3/8 USS BAG/10	28-29	3
000022924BG	SUPPORT BAG/10	90-91	3
000022924BG	SUPPORT BAG/10	58	10
000023105BG	.628 X8150D X.396 BUSH BAG/10	59	10
000023114BG	.628 X.8155 X.06 BRG FL BAG/10	52-53	3
000023114BG	.628 X.8155 X.06 BRG FL BAG/10	44-45	1
000023758BG	3/8 ID X7/8 OD GASKET BAG/10	52-53	4
000024582BG	PIN ROLLER LINK BAG/2	61	10
000024801BG	WASHER BAG/2	68	7
000025556BG	CATCH SPRING LOCK BAG/2	66-67	12
000025556BG	CATCH SPRING LOCK BAG/2	6-7	3
000025556BG	CATCH SPRING LOCK BAG/2	8-9	3
000025638BG	3/16 BUMPER RUBBER BAG/10	18-19	2
000025662BG	M62F SCREW NYLOK BAG/10	94-95	47

PART#	DESCRIPTION	PAGE#	ITEM#
000026251BG	BRG RESPOT CELL 30 BAG/10	68	13
000026251BG	BRG RESPOT CELL 30 BAG/10	34-35	5
000026461BG	.25X.687 BRG UNIBALL BAG/2	74-75	5
000026753-RED	PERFORMANCE PIT BELT RED	79	5
000026753-RED	PERFORMANCE PIT BELT RED	68	20
000026865BG	1/4 X 7/8 WASH CAD BAG/10	69	
000026865BG	1/4 X 7/8 WASH CAD BAG/10	18-19	3
000026865BG	1/4 X 7/8 WASH CAD BAG/10	72-73	4
000028334BG	PIN EJECTOR WASHER BAG/10	92-93	2
000028362BG	BUMPER URETHANE BAG/10	59	33
000028362BG	BUMPER URETHANE BAG/10	58	22
000028441BG	GUIDE SOCKET BAG/10	94-95	53
000028441BG	GUIDE SOCKET BAG/10	10	10
000028441BG	GUIDE SOCKET BAG/10	11	2
000028441BG	GUIDE SOCKET BAG/10	6-7	7
000028441BG	GUIDE SOCKET BAG/10	8-9	7
000028441BG	GUIDE SOCKET BAG/10	12-13	3
000028441BG	GUIDE SOCKET BAG/10	14-15	8
000028441BG	GUIDE SOCKET BAG/10	16-17	8
000028442BG	GUIDE PIN BAG/10	18-19	4
000028442BG	GUIDE PIN BAG/10	10	11
000028442BG	GUIDE PIN BAG/10	11	3
000028442BG	GUIDE PIN BAG/10	6-7	8
000028442BG	GUIDE PIN BAG/10	8-9	8
000028442BG	GUIDE PIN BAG/10	12-13	5
000028442BG	GUIDE PIN BAG/10	14-15	9
000028442BG	GUIDE PIN BAG/10	16-17	9
000029013BG	LOCKING SPG CLIP BAG/2	18-19	5
000029014BG	LOCKING SPRING CATCH PKG/2	12-13	6
000029014BG	LOCKING SPRING CATCH PKG/2	12-13	7
000029014BG	LOCKING SPRING CATCH PKG/2	14-15	13
000029073BG	WASHER BAG/10	16-17	11
000029611BG	UNIBALL BRG WASHER BAG/10	79	7
000029611BG	UNIBALL BRG WASHER BAG/10	90-91	9
070001857BG	ROLLER NYLON BAG/2	94-95	66
070001857BG	ROLLER NYLON BAG/2	30-31	7
070001917BG	SPRING COMPRESSION BAG/5	74-75	6
070001919BG	.627X.814X.870 FL BRG BAG/10	30-31	12
070002570BG	INSERT YOKE ARM BAG/5	24	5
070002570BG	INSERT YOKE ARM BAG/5	46-47	1
070002630BG	.252 X.315 X.218 FL BRG BAG/20	48-49	2
070002630BG	.252 X.315 X.218 FL BRG BAG/20	46-47	3
070002632BG	SCR ADJ RESPOT CELL BAG/10	48-49	4
070002632BG	SCR ADJ RESPOT CELL BAG/10	46-47	4
070002649BG	SPRING BAG/10	48-49	5
070002649BG	SPRING BAG/10	46-47	10
070002652BG	.252 X315 X.5 BRG SL BAG/20	48-49	10
070002652BG	.252 X315 X.5 BRG SL BAG/20	18-19	8
070002652BG	.252 X315 X.5 BRG SL BAG/20	28-29	7
070002652BG	.252 X315 X.5 BRG SL BAG/20	30-31	15
070002652BG	.252 X315 X.5 BRG SL BAG/20	42-43	17
070002652BG	.252 X315 X.5 BRG SL BAG/20	46-47	11
070002653BG	.252 X.315 X.38 BRG FL BAG/20	48-49	11
070002653BG	.252 X.315 X.38 BRG FL BAG/20	18-19	9
070002653BG	.252 X.315 X.38 BRG FL BAG/20	28-29	8
070002653BG	.252 X.315 X.38 BRG FL BAG/20	38-39	8
070002653BG	.252 X.315 X.38 BRG FL BAG/20	42-43	18
070002653BG	.252 X.315 X.38 BRG FL BAG/20	46-47	12
070002654BG	PIVOT SHAFT BAG/10	48-49	12
070002654BG	PIVOT SHAFT BAG/10	46-47	13
070002681BG	PIN RESPOT LEVER PIVOT BAG/10	48-49	13
070002685BG	SHAFT PIVOT #7 CELL BAG/10	42-43	20
070002691BG	.627X.752X1/2 BRG BAG/10	48-49	14

PARTS INDEX - CONTINUED

PART#	DESCRIPTION	PAGE#	ITEM#
070002723BG	PIN ACTUATOR SHAFT BAG/10	24	7
070002732BG	SPRING BAG/2	44-45	25
070002745BG	.6265X.814X1/2 BRG FL BAG/10	42-43	26
070002750BG	SCREW FH RESPOT YOKE BAG/10	42-43	29
070002750BG	SCREW FH RESPOT YOKE BAG/10	46-47	14
070002752BG	BUMPER EXTENSION BAG/2	48-49	16
070002752BG	BUMPER EXTENSION BAG/2	46-47	15
070002772BG	PIN PLATE TABLE ASM BAG/10	48-49	17
070002773BG	GROMMET TABLE ASM BAG/10	18-19	17
070002774BG	PIN BAG/2	18-19	18
070002787BG	BOLT U SPOTTING CUP BAG/2	18-19	19
070002815BG	.252X.318X.307LG BRG BAG/10	44-45	26
070003234BG	.437X.75X.62LG BRG FL BAG/10	18-19	23
070006036BG	LACING DIST BELT BAG/10	52-53	26
070006037BG	PIN DIST BELT BAG/10	74-75	19
070006121BG	WASH CLUTCH DIST ASM BAG/10	74-75	20
070006142BG	BUMPER BAG/10	72-73	27
070006142BG	BUMPER BAG/10	34-35	9
070006142BG	BUMPER BAG/10	38-39	10
070006142BG	BUMPER BAG/10	72-73	33
070006142BG	BUMPER BAG/10	74-75	38
070006296BG	WASHER SPRING SHUTTLE BAG/10	92-93	3
070006354BG	SHOCK MOUNT BIN ASM BAG/10	38-39	25
070007192BG	WASHER RESPOT CELL ASM BAG/10	34-35	13
070007192BG	WASHER RESPOT CELL ASM BAG/10	46-47	18
070007192BG	WASHER RESPOT CELL ASM BAG/10	48-49	20
070007193BG	SPACER RESPOT CELL BAG/10	84-85	32
070007193BG	SPACER RESPOT CELL BAG/10	46-47	19
070007194BG	STUD LONG RESPOT CELL BAG/5	48-49	21
070007194BG	STUD LONG RESPOT CELL BAG/5	46-47	20
070007195BG	STUD SHORT RESPOT CELL BAG/5	48-49	22
070007195BG	STUD SHORT RESPOT CELL BAG/5	46-47	21
070007196BG	.252X.485X.560 BRG FL BAG/5	48-49	23
070007196BG	.252X.485X.560 BRG FL BAG/5	46-47	22
070007197BG	INSERT RESPOT PLASTIC BAG/10	48-49	24
070007197BG	INSERT RESPOT PLASTIC BAG/10	46-47	23
070007376BG	WASHER THRUST BAG/5	48-49	25
070007376BG	WASHER THRUST BAG/5	79	
070007616BG	PIN RESPOT LEVER PIVOT BAG/10	72-73	45
070007617BG	STUD PIVOT BAG/10	42-43	33
070007651BG	WASHER NYLON BAG/10	46-47	24
070007651BG	WASHER NYLON BAG/10	46-47	27
070007651BG	WASHER NYLON BAG/10	48-49	28
070008133BG	SPACER LINK ASM BAG/2	72-73	46
070011028BG	WASHER BAG/10	38-39	34
070011030BG	ROLLER BAG/10	92-93	7
070011031BG	SPACER BAG/10	92-93	9
070011040BG	ROLLER RATCHET BAG/10	92-93	10
070011040BG	ROLLER RATCHET BAG/10	84-85	44
070011040BG	ROLLER RATCHET BAG/10	90-91	14
070011099P	CAM PAINTED	92-93	16
070011641-01	URETHANE DOOR RING EVEN LANE	90-91	48
070011641-01	URETHANE DOOR RING EVEN LANE	58	32
070011642-01	URETHANE DOOR RING ODD LANE	82-83	N/S
070011642-01	URETHANE DOOR RING ODD LANE	58	33
088500505BX	CARPET BELT IN BOX	82-83	N/S
088500505BX	CARPET BELT IN BOX	68	20
070005898	TRSFMR 115/230 50	69	
610709870-R	XOP BD W/OUT CABLE ASM RB	22-23	28
701310036BG	.315 X.75 X1/16 BRG TH BAG/10	15	
701316041BG	.5100 X1 X1/16 BRG TH BAG/10	44-45	37
701316041BG	.5100 X1 X1/16 BRG TH BAG/10	89	9
701320045BG	.628 X1 X1/8 BRG TH BAG/10	42-43	37

PART#	DESCRIPTION	PAGE#	ITEM#
701320045BG	.628 X1 X1/8 BRG TH BAG/10	88	12
701329050BG	.8905 X1.5 X1/8 BRG TH BAG/10	94-95	98
724507002BG	C-160-1420 NUT TIN BAG/10	34-35	41
760011197BG	.062 TERM PIN LP BAG/20	18-19	32
760011197BG	.062 TERM PIN LP BAG/20	12-13	11
760019201BG	.062 TERM SOC LP BAG/20	18-19	37
760019201BG	.062 TERM SOC LP BAG/20	11	7
760019201BG	.062 TERM SOC LP BAG/20	12-13	13
802865996BG	3/8-16X9 1/2 SCR HHC BAG/10	10	14
802865996BG	3/8-16X9 1/2 SCR HHC BAG/10	90-91	54
806249060BG	1/4-20X3/8 SCR STSQHD BAG/10	94-95	99
806265160BG	3/8-16X1 SCR STSQ CP BAG/10	74-75	59
806265160BG	3/8-16X1 SCR STSQ CP BAG/10	68	31
806265160BG	3/8-16X1 SCR STSQ CP BAG/10	82-83	32
806265160BG	3/8-16X1 SCR STSQ CP BAG/10	84-85	64
806265240BG	3/8-16 X1 1/2 SCR STSQ BAG/10	94-95	100
806749160BG	1/4-20X1 BAG/10 SCR STSQHDVPT	44-45	40
807249040BG	1/4-20X1/4 SCR SHS CP BAG/10	42-43	40
807249160BG	1/4-20X1 SCR STSO CP BAG/10	94-95	101
807257060BG	5/16-18 X3/8 SCR SC BAG/10	74-75	60
807265080BG	3/8-16X1/2SCR ST SO CP BAG/10	88	13
807357040BG	5/16-18 X1/4 K SCR STSO BAG/10	94-95	103
807357040BG	5/16-18 X1/4 K SCR STSO BAG/10	88	14
807357040BG	5/16-18 X1/4 K SCR STSO BAG/10	38-39	50
807357060BG	5/16-18 X 3/8 SCR SHS BAG/10	90-91	55
807357080BG	5/16-18 X1/2K SCRSTSO BAG/10	42-43	41
807358060BG	5/16-24 X3/8 KSCR STSO BG/10	61	30
807358060BG	5/16-24 X3/8 KSCR STSO BG/10	61	31
808549080BG	1/4-20 X 1/2 SCR SOBT BAG/10	79	N/S
808549160BG	1/4-20 X 1 SCR SOBT BAG/10	34-35	46
808549200BG	1/4-20 X 1 1/4 SCR SOBT BAG/10	58	38
808549240BG	1/4-20 X1 1/2 SCR SOBT BAG/10	74-75	61
808557120BG	5/16-18 X 3/4 SCR SOBT BAG/10	36-37	15
808557140BG	5/16-18 X 7/8 SCR SBHC BAG/10	58	39
808566160BG	3/8-24 X 1 SCR SOBT BAG/10	55	12
808640121BG	#10-32 X 3/4 SCR S LK BAG/10	60	15
808640121BG	#10-32 X 3/4 SCR S LK BAG/10	46-47	32
808640141BG	#10-32 X 7/8 SCR BG/10 S LK	48-49	35
808640141BG	#10-32 X 7/8 SCR BG/10 S LK	28-29	17
808640141BG	#10-32 X 7/8 SCR BG/10 S LK	46-47	33
808849120BG	1/4-20 X 3/4 SCR SOFL BAG/10	48-49	36
808849160BG	1/4-20 X 1 SCR SOFL BAG/10	60	16
808849565BG	1/4-20 X 3 1/2 SCR FSHC BAG/10	68	32
808857160BG	5/16-18 X 1 SCR SOFL BAG/10	84-85	67
808857280BG	5/16-18 X1 3/4 SCR FSH BAG/10	58	40
808858120BG	5/16-24 X 3/4 SCR SOFL BAG/10	86	22
808858240BG	5/16-24 X1 1/2 SCR SOFL BAG/10	60	17
808865140BG	3/8-16 X 7/8 SCR SOFL BAG/10	60	18
808865320BG	3/8-16 X 2 SCR SOFL BAG/10	92-93	19
808865400BG	3/8-16 X2 1/2 SCR SOFL BAG/10	66-67	37
808957160BG	5/16-18 X 1 SCR FSC BAG/10	66-67	38
809849100BG	1/4-20 X 5/8 SCREW HX BAG/10	94-95	104
809849145BG	1/4-20 X 7/8 SCREW HX BAG/10	72-73	55
809849145BG	1/4-20 X 7/8 SCREW HX BAG/10	90-91	56
809849165BG	1/4-20 X 1 SCREW HHC BAG/10	94-95	105
809849165BG	1/4-20 X 1 SCREW HHC BAG/10	68	33
809849165BG	1/4-20 X 1 SCREW HHC BAG/10	34-35	49
809849165BG	1/4-20 X 1 SCREW HHC BAG/10	42-43	42
809849165BG	1/4-20 X 1 SCREW HHC BAG/10	44-45	41
809849205BG	1/4-20 X 1 1/4 SCR HX BAG/10	74-75	63
809849205BG	1/4-20 X 1 1/4 SCR HX BAG/10	68	34
809849205BG	1/4-20 X 1 1/4 SCR HX BAG/10	72-73	57
809849245BG	1/4-20 X 1 1/2 SCR HX BAG/10	92-93	20

PART#	DESCRIPTION	PAGE#	ITEM#
809849285BG	1/4-20 X 1 3/4 SCR HX BAG/10	36-37	16
809849285BG	1/4-20 X 1 3/4 SCR HX BAG/10	34-35	50
809849325BG	1/4-20 X 2 SCREW HX BAG/10	36-37	17
809849365BG	1/4-20 X 2 1/4 SCR HX BAG/10	68	35
809849485BG	1/4-20 X 3 SCR HH BAG/10	84-85	68
809849605BG	1/4-20 X 3 3/4 SCR HX BAG/10	34-35	51
809849605BG	1/4-20 X 3 3/4 SCR HX BAG/10	34-35	52
809849885BG	1/4-20 X5 1/2 SCR HX BAG/10	74-75	64
809857080BG	5/16-18 X1/2 SCR HH BAG/10	74-75	65
809857125BG	5/16-18 X 3/4 SCR HX BAG/10	72-73	58
809857125BG	5/16-18 X 3/4 SCR HX BAG/10	58	41
809857125BG	5/16-18 X 3/4 SCR HX BAG/10	59	44
809857125BG	5/16-18 X 3/4 SCR HX BAG/10	60	19
809857125BG	5/16-18 X 3/4 SCR HX BAG/10	61	33
809857125BG	5/16-18 X 3/4 SCR HX BAG/10	22-23	33
809857125BG	5/16-18 X 3/4 SCR HX BAG/10	66-67	40
809857165BG	5/16-18 X 1 SCR HX BAG/10	94-95	106
809857165BG	5/16-18 X 1 SCR HX BAG/10	59	45
809857165BG	5/16-18 X 1 SCR HX BAG/10	60	20
809857165BG	5/16-18 X 1 SCR HX BAG/10	22-23	34
809857165BG	5/16-18 X 1 SCR HX BAG/10	66-67	41
809857165BG	5/16-18 X 1 SCR HX BAG/10	82-83	34
809857165BG	5/16-18 X 1 SCR HX BAG/10	90-91	57
809857205BG	5/16-18 X1 1/4 SCR HX BAG/10	94-95	107
809857205BG	5/16-18 X1 1/4 SCR HX BAG/10	60	21
809857205BG	5/16-18 X1 1/4 SCR HX BAG/10	61	34
809857205BG	5/16-18 X1 1/4 SCR HX BAG/10	68	36
809857205BG	5/16-18 X1 1/4 SCR HX BAG/10	66-67	42
809857245BG	5/16-18 X1 1/2 SCR HX BAG/10	94-95	108
809857405BG	5/16-18 X2 1/2 SCR HX BAG/10	55	13
809857880BG	5/16-18 X5 1/2 SCR HX BAG/10	22-23	35
809865125BG	3/8-16 X 3/4 SCR HX BAG /10	90-91	58
809865165BG	3/8-16 X 1 SCR HHC BAG/10	42-43	43
809865165BG	3/8-16 X 1 SCR HHC BAG/10	59	46
809865165BG	3/8-16 X 1 SCR HHC BAG/10	86	23
809865165BG	3/8-16 X 1 SCR HHC BAG/10	34-35	53
809865165BG	3/8-16 X 1 SCR HHC BAG/10	38-39	51
809865165BG	3/8-16 X 1 SCR HHC BAG/10	84-85	69
809865205BG	3/8-16 X 1 1/4 SCR HX BAG/10	90-91	59
809865205BG	3/8-16 X 1 1/4 SCR HX BAG/10	58	42
809865205BG	3/8-16 X 1 1/4 SCR HX BAG/10	86	24
809865205BG	3/8-16 X 1 1/4 SCR HX BAG/10	38-39	52
809865205BG	3/8-16 X 1 1/4 SCR HX BAG/10	42-43	44
809865245BG	3/8-16 X 1 1/2 SCR HX BAG/10	90-91	60
809865245BG	3/8-16 X 1 1/2 SCR HX BAG/10	25	28
809865245BG	3/8-16 X 1 1/2 SCR HX BAG/10	50	23
809865245BG	3/8-16 X 1 1/2 SCR HX BAG/10	44-45	42
809865325BG	3/8-16 X 2 SCR HX BAG/10	94-95	109
809865365BG	3/8-16 X 2 1/4 SCR HX BAG/10	86	25
809865405BG	3/8-16 X 2 1/2 SCR HX BAG/10	44-45	43
809865405BG	3/8-16 X 2 1/2 SCR HX BAG/10	90-91	61
809865445BG	3/8-16 X2 3/4 SCR HX BAG/10	94-95	110
809865565BG	3/8-16 X 3 1/2 SCR HH BAG/10	84-85	70
809865645BG	3/8-16 X 4 SCR HX BAG/10	52-53	53
809865645BG	3/8-16 X 4 SCR HX BAG/10	58	43
809865645BG	3/8-16 X 4 SCR HX BAG/10	59	47
80986592BG	3/8-16 X 9 SCR HHC BAG/10	22-23	36
809869245BG	7/16-14 X1 1/2 SCR HX BAG/10	86	26
809869245BG	7/16-14 X1 1/2 SCR HX BAG/10	25	15
809869325BG	7/16-14 X 2 SCR HHC BAG/10	50	24
809869325BG	7/16-14 X 2 SCR HHC BAG/10	25	27
809869365BG	7/16-14 X2 1/4 SCR HEX BAG/10	50	25
809869365BG	7/16-14 X2 1/4 SCR HEX BAG/10	25	17

PART#	DESCRIPTION	PAGE#	ITEM#
809869405BG	7/16-14 X 2 1/2 SCR HX BAG/10	52-53	54
809870285BG	7/16-20 X 1 3/4 SCR HX BAG/10	52-53	55
809870325BG	7/16-20 X 2 SCR HX BAG/10	30-31	32
809873405BG	1/2-13 X 2 1/2 SCR HX BAG/10	30-31	33
809873525BG	1/2-13 X 3 1/4 SCR HX BAG/10	22-23	37
809881640BG	5/8-11 X 4 SCR HHC BAG/10	30-31	34
809965125BG	3/8-16 X 3/4 SCR HCLK BAG/10	50	26
810239120BG	#10-24 X 3/4 SCR SOC BAG/10	92-93	21
810239160BG	#10-24 X 1 SCR SOC BAG/10	42-43	45
810239240BG	#10-24 X 1 1/2 SCR SOC BAG/10	74-75	66
810249200BG	1/4-20 X 1 1/4 SCR SOC BAG/10	72-73	59
810250200BG	1/4-28 X1 1/4 SCR SHC BAG/10	44-45	44
810258100BG	5/16-24 X 5/8 SCR SHC BAG/10	66-67	43
810265280BG	3/8-16 X1 3/4 SCR SOC BAG/10	58	44
810265400BG	3/8-16 X2 1/2 SCR SHC BAG/10	22-23	39
810365401BG	3/8-16 X 2.5 SCR SHC LK BAG/10	86	27
812039162BG	#10-24 X 1 SCR FHM BAG/10	86	28
812633062BG	#8-32 X3/8 CD SCREW RH BAG/10	18-19	41
812840082BG	#10-32 X1/2 SCREW RH BAG/10	16-17	38
812840082BG	#10-32 X1/2 SCREW RH BAG/10	6-7	52
813321062BG	#4-40 X 3/8 SCR PHM BAG /10	8-9	51
813321062BG	#4-40 X 3/8 SCR PHM BAG /10	11	8
813340042BG	#10-32 X1/4CD SCR PH BAG/10	12-13	16
813340042BG	#10-32 X1/4CD SCR PH BAG/10	6-7	54
813540082BG	#10-32 X 1/2CD SCR PHT BAG/10	8-9	53
813540082BG	#10-32 X 1/2CD SCR PHT BAG/10	16-17	39
813540082BG	#10-32 X 1/2CD SCR PHT BAG/10	34-35	54
813933162BG	#8-32 X1 CD SCREW HEX BAG/10	74-75	67
814333122BG	#8-32 X 3/4 SCR HX BAG/10	38-39	53
818221102BG	#4-40 X 5/8 SCR SMRD+ BAG/10	38-39	54
818227082BG	#6-32 X 1/2 SCR SMRD+ BAG/10	14-15	48
818227082BG	#6-32 X 1/2 SCR SMRD+ BAG/10	63	13
818227082BG	#6-32 X 1/2 SCR SMRD+ BAG/10	6-7	55
818227082BG	#6-32 X 1/2 SCR SMRD+ BAG/10	8-9	54
818227162BG	#6-32 X 1 SCR SMRD+ BAG/10	14-15	50
818227162BG	#6-32 X 1 SCR SMRD+ BAG/10	16-17	41
818227162BG	#6-32 X 1 SCR SMRD+ BAG/10	28-29	19
818227202BG	#6-32 X 1 1/4 SCR SMRD+ BAG/10	34-35	55
818227202BG	#6-32 X 1 1/4 SCR SMRD+ BAG/10	50	27
818227402BG	#6-32 X 2 1/2 SCR SMRD+ BAG/10	61	36
818233062BG	#8-32 X 3/8 SCR SMRD+ BAG/10	27	10
818233082BG	#8-32 X 1/2 SCR SMRD+ BAG/10	14-15	53
818233082BG	#8-32 X 1/2 SCR SMRD+ BAG/10	27	11
818233082BG	#8-32 X 1/2 SCR SMRD+ BAG/10	63	14
818233082BG	#8-32 X 1/2 SCR SMRD+ BAG/10	6-7	56
818233082BG	#8-32 X 1/2 SCR SMRD+ BAG/10	8-9	55
818233082BG	#8-32 X 1/2 SCR SMRD+ BAG/10	14-15	54
818233122BG	#8-32 X 3/4 SCR SMRD+ BAG/10	34-35	56
818233122BG	#8-32 X 3/4 SCR SMRD+ BAG/10	63	15
818233122BG	#8-32 X 3/4 SCR SMRD+ BAG/10	6-7	57
818233122BG	#8-32 X 3/4 SCR SMRD+ BAG/10	8-9	56
818233122BG	#8-32 X 3/4 SCR SMRD+ BAG/10	14-15	55
818239122BG	#10-24 X 3/4 SCR SMRD+ BAG/10	16-17	42
818239122BG	#10-24 X 3/4 SCR SMRD+ BAG/10	6-7	59
818239122BG	#10-24 X 3/4 SCR SMRD+ BAG/10	8-9	57
818627042BG	#6-32 X 1/4 SCR SMRD BAG/10	22-23	41
818627042BG	#6-32 X 1/4 SCR SMRD BAG/10	63	16
818627042BG	#6-32 X 1/4 SCR SMRD BAG/10	6-7	58
823126062BG	6 X 3/8 SCR TR+ TYA BAG/10	8-9	58
823126062BG	6 X 3/8 SCR TR+ TYA BAG/10	61	37
823132082BG	#8 X1/2 SCR TAP RDT TYA BAG/10	62	36
824332082BG	#8 X 1/2 SCR TT TYA BAG/10	16-17	43
826032060BG	#8-3/8 SCR TATWA BAG/10	14-15	56

PARTS INDEX - CONTINUED

PART#	DESCRIPTION	PAGE#	ITEM#
826032060BG	#8-3/8 SCR TATWA BAG/10	6-7	60
828127062BG	#6-32 X3/8 SCR TDRD+TYD BAG/10	8-9	59
828127062BG	#6-32 X3/8 SCR TDRD+TYD BAG/10	6-7	61
828127062BG	#6-32 X3/8 SCR TDRD+TYD BAG/10	8-9	60
830057002BG	5/16-18 NUT ACORN LK BAG/10	22-23	42
831565002BG	3/8-16 NUT HEX CD BAG/10	55	14
831565002BG	3/8-16 NUT HEX CD BAG/10	34-35	57
831566002BG	3/8-24 NUT HEX BAG/10	72-73	60
831566002BG	3/8-24 NUT HEX BAG/10	84-85	71
831573002BG	1/2-13 NUT STD HX BAG/10	94-95	112
834527002BG	#6-32 NUT HEX BAG/10	90-91	62
834557002BG	5/16-18 NUT HEX BAG/10	38-39	55
834621000BG	#4-40 NUT HEX BRASS BAG/10	38-39	56
834621000BG	#4-40 NUT HEX BRASS BAG/10	6-7	63
834821000BG	#4-40 NUT HEX BRASS BAG/10	8-9	62
834821000BG	#4-40 NUT HEX BRASS BAG/10	11	9
834821000BG	#4-40 NUT HEX BRASS BAG/10	12-13	17
834821000BG	#4-40 NUT HEX BRASS BAG/10	16-17	44
835549002BG	1/4-20 NUT HEX JAM BAG/10	18-19	42
835549002BG	1/4-20 NUT HEX JAM BAG/10	22-23	43
835549002BG	1/4-20 NUT HEX JAM BAG/10	38-39	57
835549002BG	1/4-20 NUT HEX JAM BAG/10	42-43	46
835550002BG	1/4-28 NUT HEX JAM BAG/10	74-75	69
835550002BG	1/4-28 NUT HEX JAM BAG/10	27	12
835550002BG	1/4-28 NUT HEX JAM BAG/10	28-29	20
835558002BG	5/16-24 NUT HEX JAM BAG/10	42-43	47
835558002BG	5/16-24 NUT HEX JAM BAG/10	48-49	37
835570002BG	7/16-20 HY NUT HXJAM BAG/10	82-83	36
835570002BG	7/16-20 HY NUT HXJAM BAG/10	25	18
835570002BG	7/16-20 HY NUT HXJAM BAG/10	38-39	60
835573002BG	1/2-13 CD NUT HEX JAM BAG/10	52-53	56
835574002BG	1/2-20 NUT HEX JAM CD BAG/10	94-95	114
835650002BG	1/4-28 NUT HEX JAM LH BAG/10	52-53	57
835670002BG	7/16-20 NUT HEX JAM LH BAG/10	42-43	48
835670002BG	7/16-20 NUT HEX JAM LH BAG/10	25	19
835674002BG	1/2-20 NUT LH HEX JAM BAG/10	52-53	59
838727002BG	#6-32 NUT NYLOCK BAG/10	52-53	60
838866002BG	3/8-24 NUT HEX ESN TN BAG/10	28-29	21
838866002BG	3/8-24 NUT HEX ESN TN BAG/10	86	30
838866002BG	3/8-24 NUT HEX ESN TN BAG/10	90-91	64
839527002BG	#6-32 HT FLEX NUT TK BAG/10	92-93	22
839527002BG	#6-32 HT FLEX NUT TK BAG/10	61	38
839527002BG	#6-32 HT FLEX NUT TK BAG/10	6-7	64
839527002BG	#6-32 HT FLEX NUT TK BAG/10	8-9	63
839533002BG	#8-32 HT NUT FLEX TK BAG/10	28-29	22
839539002BG	#10-24 NUT FLEX TK HT BAG/10	38-39	61
839539002BG	#10-24 NUT FLEX TK HT BAG/10	6-7	65
839539002BG	#10-24 NUT FLEX TK HT BAG/10	8-9	64
839539002BG	#10-24 NUT FLEX TK HT BAG/10	18-19	43
839539002BG	#10-24 NUT FLEX TK HT BAG/10	30-31	35
839549002BG	1/4-20 NUT FLEX TK HT BAG/10	42-43	49
839549002BG	1/4-20 NUT FLEX TK HT BAG/10	50	28
839549002BG	1/4-20 NUT FLEX TK HT BAG/10	84-85	72
839549002BG	1/4-20 NUT FLEX TK HT BAG/10	92-93	23
839565002BG	3/8-16 NUT FLEX BAG/10	94-95	115
839665002BG	3/8-16 NUT FLEX BAG/10	90-91	65
839665002BG	3/8-16 NUT FLEX BAG/10	24	19
839665002BG	3/8-16 NUT FLEX BAG/10	58	45
839665002BG	3/8-16 NUT FLEX BAG/10	59	48
839665002BG	3/8-16 NUT FLEX BAG/10	42-43	50
839665002BG	3/8-16 NUT FLEX BAG/10	44-45	46
839665002BG	3/8-16 NUT FLEX BAG/10	52-53	61
839665002BG	3/8-16 NUT FLEX BAG/10	66-67	44

PART#	DESCRIPTION	PAGE#	ITEM#
839665002BG	3/8-16 NUT FLEX BAG/10	84-85	73
840039002BG	#10-24 NUT FLEX TN BAG/10	94-95	116
840039002BG	#10-24 NUT FLEX TN BAG/10	22-23	44
840039002BG	#10-24 NUT FLEX TN BAG/10	72-73	62
840040002BG	#10-32 NUT FLEX TN BAG/10	74-75	70
840049002BG	1/4-20 NUT FLEX BAG/10	74-75	71
840057002BG	5/16-18 NUT FLEX TN BAG/10	34-35	59
840057002BG	5/16-18 NUT FLEX TN BAG/10	84-85	74
840065002BG	3/8-16 NUT FLEX TN BAG/10	94-95	117
840065002BG	3/8-16 NUT FLEX TN BAG/10	25	29
840065002BG	3/8-16 NUT FLEX TN BAG/10	50	29
840065002BG	3/8-16 NUT FLEX TN BAG/10	58	46
840065002BG	3/8-16 NUT FLEX TN BAG/10	38-39	62
840066002BG	3/8-24 NUT FLEX TN BAG/10	90-91	66
840070002BG	7/16-20 FLEX NUT BAG/10	42-43	51
840182002BG	31FK1018 NUT FLEX LK BAG/10	30-31	36
840381002BG	5/8-11 NUT FLEX TK BAG/10	30-31	37
840600002BG	7/8 X14 NUT FLEX LK BAG/10	44-45	47
843127002BG	#6-32 NUT KEP WASH BAG/10	42-43	52
843127002BG	#6-32 NUT KEP WASH BAG/10	27	13
843127002BG	#6-32 NUT KEP WASH BAG/10	50	30
843127002BG	#6-32 NUT KEP WASH BAG/10	63	19
843127002BG	#6-32 NUT KEP WASH BAG/10	6-7	66
843127002BG	#6-32 NUT KEP WASH BAG/10	8-9	65
843127002BG	#6-32 NUT KEP WASH BAG/10	14-15	58
843127002BG	#6-32 NUT KEP WASH BAG/10	16-17	46
843133002BG	#8-32 NUT KEP WASH BAG/10	34-35	60
843133002BG	#8-32 NUT KEP WASH BAG/10	27	14
843133002BG	#8-32 NUT KEP WASH BAG/10	63	20
843133002BG	#8-32 NUT KEP WASH BAG/10	6-7	67
843133002BG	#8-32 NUT KEP WASH BAG/10	8-9	66
843133002BG	#8-32 NUT KEP WASH BAG/10	14-15	59
843133002BG	#8-32 NUT KEP WASH BAG/10	16-17	47
843133002BG	#8-32 NUT KEP WASH BAG/10	34-35	61
843139002BG	#10-24 NUT HLK KEP BAG/10	38-39	63
843139002BG	#10-24 NUT HLK KEP BAG/10	100-101	25
843140002BG	#10-32 NUT HLK KEP BAG/10	22-23	45
843140002BG	#10-32 NUT HLK KEP BAG/10	14-15	60
843140002BG	#10-32 NUT HLK KEP BAG/10	16-17	48
843140002BG	#10-32 NUT HLK KEP BAG/10	28-29	23
844049002BG	1/4-20 NUT STVR LK BAG/10	42-43	53
844049002BG	1/4-20 NUT STVR LK BAG/10	58	47
844049002BG	1/4-20 NUT STVR LK BAG/10	59	49
844049002BG	1/4-20 NUT STVR LK BAG/10	60	22
844049002BG	1/4-20 NUT STVR LK BAG/10	61	39
844049002BG	1/4-20 NUT STVR LK BAG/10	68	37
844049002BG	1/4-20 NUT STVR LK BAG/10	6-7	68
844049002BG	1/4-20 NUT STVR LK BAG/10	8-9	67
844049002BG	1/4-20 NUT STVR LK BAG/10	18-19	44
844049002BG	1/4-20 NUT STVR LK BAG/10	34-35	62
844049002BG	1/4-20 NUT STVR LK BAG/10	36-37	18
844049002BG	1/4-20 NUT STVR LK BAG/10	42-43	54
844049002BG	1/4-20 NUT STVR LK BAG/10	44-45	48
844049002BG	1/4-20 NUT STVR LK BAG/10	46-47	34
844049002BG	1/4-20 NUT STVR LK BAG/10	48-49	38
844049002BG	1/4-20 NUT STVR LK BAG/10	66-67	45
844049002BG	1/4-20 NUT STVR LK BAG/10	72-73	63
844049002BG	1/4-20 NUT STVR LK BAG/10	74-75	72
844050002BG	1/4-28 NUT STVR LK BAG/10	90-91	67
844057002BG	LK-5/16-18 NUT STVR LK BAG/10	72-73	64
844057002BG	LK-5/16-18 NUT STVR LK BAG/10	55	15
844057002BG	LK-5/16-18 NUT STVR LK BAG/10	58	48
844057002BG	LK-5/16-18 NUT STVR LK BAG/10	59	50

PART#	DESCRIPTION	PAGE#	ITEM#
844057002BG	LK-5/16-18 NUT STVR LK BAG/10	60	23
844057002BG	LK-5/16-18 NUT STVR LK BAG/10	61	40
844057002BG	LK-5/16-18 NUT STVR LK BAG/10	68	38
844057002BG	LK-5/16-18 NUT STVR LK BAG/10	86	31
844057002BG	LK-5/16-18 NUT STVR LK BAG/10	22-23	46
844057002BG	LK-5/16-18 NUT STVR LK BAG/10	42-43	55
844057002BG	LK-5/16-18 NUT STVR LK BAG/10	44-45	49
844057002BG	LK-5/16-18 NUT STVR LK BAG/10	52-53	62
844057002BG	LK-5/16-18 NUT STVR LK BAG/10	66-67	46
844057002BG	LK-5/16-18 NUT STVR LK BAG/10	82-83	37
844057002BG	LK-5/16-18 NUT STVR LK BAG/10	90-91	68
844057002BG	LK-5/16-18 NUT STVR LK BAG/10	92-93	N/S
844058002BG	5/16-24 NUT STVR LK BAG/10	94-95	118
844065002BG	3/8-16 NUT STVR BAG/10	58	49
844065002BG	3/8-16 NUT STVR BAG/10	86	32
844065002BG	3/8-16 NUT STVR BAG/10	22-23	47
844065002BG	3/8-16 NUT STVR BAG/10	34-35	63
844065002BG	3/8-16 NUT STVR BAG/10	82-83	38
844069002BG	7/16-14 NUT STVR LK BAG/10	92-93	24
844069002BG	7/16-14 NUT STVR LK BAG/10	25	20
844070002BG	7/16-20 NUT STVR LK BAG/10	52-53	63
844070002BG	7/16-20 NUT STVR LK BAG/10	24	20
844073002BG	1/2-13 NUT STVR LK BAG/10	90-91	69
844073002BG	1/2-13 NUT STVR LK BAG/10	24	21
844073002BG	1/2-13 NUT STVR LK BAG/10	22-23	48
844073002BG	1/2-13 NUT STVR LK BAG/10	30-31	38
844073002BG	1/2-13 NUT STVR LK BAG/10	52-53	64
844073002BG	1/2-13 NUT STVR LK BAG/10	72-73	65
844074002BG	1/2-20 NUT STVR LK BAG/10	94-95	119
844081002BG	5/8-11 NUT STVR LK BAG/10	59	52
845100000BG	N-10 NUT LOCK BEARING BAG/10	50	31
856070002BG	7/16-20 NUT FLANGED BAG/10	84-85	75
856070002BG	7/16-20 NUT FLANGED BAG/10	84-85	76
880139120BG	1/4 X 3/8 SCREW SHLD BAG/10	94-95	120
880239140BG	#10-24X1/4X1/2 SCR SHLD BAG/10	30-31	39
900104071BG	.253 X 7/16 BRG SL BZ BAG/5	22-23	49
900106081BG	.378 X.503 X1/2 BRG SL BAG/5	30-31	40
900110081BG	.628 X.878 X1/2 BRG SL BAG/5	74-75	73
900110081BG	.628 X.878 X1/2 BRG SL BAG/5	87	12
900110081BG	.628 X.878 X1/2 BRG SL BAG/5	88	15
900110121BG	.628 X 3/4 LG BRG SL BAG/5	94-95	122
900110141BG	.628 X.878 X7/8 BRG SL BAG/5	84-85	77
900110141BG	.628 X.878 X7/8 BRG SL BAG/5	24	22
900110161BG	.625 X.857 X1.0 BUSH BAG/5	94-95	123
900112161BG	.753 X 1 BEARING SL BAG/5	94-95	124
900112203BG	.753 X1 X1 1/4 BRG SL BAG/5	84-85	78
900112203BG	.753 X1 X1 1/4 BRG SL BAG/5	58	50
900112203BG	.753 X1 X1 1/4 BRG SL BAG/5	59	53
900112203BG	.753 X1 X1 1/4 BRG SL BAG/5	84-85	79
900114101BG	.877 X1.128 X5/8 BRG SL BAG/5	94-95	126
900204121BG	.25 X.378 X3/4 BRG FL BAG/5	34-35	64
900205053BG	.315 X.44 X5/16 BRG FL BAG/5	38-39	64
900205053BG	.315 X.44 X5/16 BRG FL BAG/5	18-19	45
900205053BG	.315 X.44 X5/16 BRG FL BAG/5	30-31	41
900205081BG	.315 X.44 X1/2 BRG FL BAG/5	44-45	50
900206081BG	.378 X.688 X1/2 BRG FL BAG/5	90-91	70
900206091BG	.378 X.503 X9/16 BRG FL BAG/5	84-85	80
900206091BG	.378 X.503 X9/16 BRG FL BAG/5	34-35	65
900208091BG	.503 X.690 X9/16 BRG FL BAG/5	74-75	74
900208161BG	.503 X .875 BEARING FL BAG/5	90-91	71
900208161BG	.503 X .875 BEARING FL BAG/5	61	42
900208161BG	.503 X .875 BEARING FL BAG/5	89	11
900210101BG	.628 X5/8 BRG FL BZ BAG/5	84-85	81

PART#	DESCRIPTION	PAGE#	ITEM#
900210161BG	.628 X 1 BEARING FL BZ BAG/5	88	16
900210161BG	.628 X 1 BEARING FL BZ BAG/5	86	33
900212161BG	.753 X1.003 X1 BRG FL BAG/5	38-39	65
900212161BG	.753 X1.003 X1 BRG FL BAG/5	84-85	82
900212201BG	.753 X1 X1.25 BRG FL BAG/5	92-93	25
900212201BG	.753 X1 X1.25 BRG FL BAG/5	90-91	72
907000100BG	#403 KEY HYPRO BAG/10	94-95	127
907000200BG	#404 KEY HYPRO BAG/10	74-75	75
907000200BG	#404 KEY HYPRO BAG/10	38-39	66
907000300BG	#504 KEY HYPRO BAG/10	92-93	26
907000500BG	#606 KEY HYPRO BAG/10	61	44
907000600BG	#706 KEY HYPRO BAG/10	61	45
907000600BG	#706 KEY HYPRO BAG/10	34-35	66
907000900BG	#910 KEY HYPRO BAG/10	44-45	51
907000900BG	#910 KEY HYPRO BAG/10	22-23	50
907000900BG	#910 KEY HYPRO BAG/10	90-91	73
907201100BG	KEY SQ GEAR SHAFT BAG/10	94-95	128
912137200BG	3/16 X1 1/4T3 PIN GRV BAG/10	61	46
913411100BG	.078 X5/8 PIN SPRING BAG/10	30-31	42
913415090BG	.094 X 9/16 PIN SPRING BAG/10	68	39
913415100BG	.094 X 5/8 PIN SPRING BAG/10	72-73	66
913415120BG	.094 X 3/4 PIN SPRING BAG/10	38-39	67
913423120BG	.125 X 3/4 PIN SPRING BAG/10	30-31	43
913423120BG	.125 X 3/4 PIN SPRING BAG/10	79	12
913423160BG	.125 X 1 PIN SPRING BAG/10	30-31	44
913431160BG	.156 X 1 PIN SPRING BAG/10	42-43	56
913437100BG	.187 X 5/8 PIN SPRING BAG/10	66-67	47
913437100BG	.187 X 5/8 PIN SPRING BAG/10	46-47	35
913437120BG	.187 X 3/4 PIN SPRING BAG/10	48-49	39
913437140BG	.187 X 7/8 PIN SPRING BAG/10	79	13
913437140BG	.187 X 7/8 PIN SPRING BAG/10	72-73	67
913437160BG	.187 X 1 PIN SPRING BAG/10	74-75	76
913437240BG	.187 X 1 1/2 PIN SPG BAG/10	61	43
913437240BG	.187 X 1 1/2 PIN SPG BAG/10	44-45	52
913448120BG	.250 X 3/4 PIN SPG BAG/10	66-67	48
913448120BG	.250 X 3/4 PIN SPG BAG/10	38-39	68
913464280BG	.375 X1 3/4 PIN SPRING BAG/10	90-91	74
913464360BG	.375 X2 1/4 PIN SPRING BAG/10	74-75	77
913464400BG	.375 X2 1/2 PIN SPRING BAG/10	24	23
914037206BG	3/16 X1 1/4 PIN SPIROL BAG/10	38-39	69
919000600BG	#5000-137 RETAIN RING BAG/10	72-73	68
919000600BG	#5000-137 RETAIN RING BAG/10	30-31	45
919000600BG	#5000-137 RETAIN RING BAG/10	72-73	69
919000700BG	#5000-156 RETAIN RING BAG/10	92-93	27
919000700BG	#5000-156 RETAIN RING BAG/10	50	32
919004200BG	#5008-212 RETAIN RING BAG/10	44-45	53
919005000BG	#5100-25 RETAIN RING BAG/10	72-73	70
919005200BG	#5100-31 RETAIN RING BAG/10	74-75	78
919005200BG	#5100-31 RETAIN RING BAG/10	84-85	83
919005200BG	#5100-31 RETAIN RING BAG/10	90-91	75
919005300BG	#5100-37 RETAIN RING BAG/10	92-93	28
919005300BG	#5100-37 RETAIN RING BAG/10	72-73	71
919005400BG	#5100-43 RETAIN RING BAG/10	90-91	76
919005500BG	#5100-50 RETAIN RING BAG/10	59	54
919005500BG	#5100-50 RETAIN RING BAG/10	87	14
919005600BG	#5100-62 RETAIN RING BAG/10	90-91	77
919005600BG	#5100-62 RETAIN RING BAG/10	87	15
919005600BG	#5100-62 RETAIN RING BAG/10	88	17
919005600BG	#5100-62 RETAIN RING BAG/10	72-73	72
919005600BG	#5100-62 RETAIN RING BAG/10	84-85	84
919005800BG	#5100-75 RETAIN RING BAG/10	94-95	130
919005800BG	#5100-75 RETAIN RING BAG/10	58	51
919005800BG	#5100-75 RETAIN RING BAG/10	59	55

PARTS INDEX - CONTINUED

PART#	DESCRIPTION	PAGE#	ITEM#
919005800BG	#5100-75 RETAIN RING BAG/10	89	12
919005800BG	#5100-75 RETAIN RING BAG/10	84-85	85
919005800BG	#5100-75 RETAIN RING BAG/10	92-93	29
919005900BG	#5100-87 RETAIN RING BAG/10	94-95	131
919006800BG	#5115-37 RETAIN RING BAG/10	87	16
919010200BG	#5133-25 RETAIN RING BAG/10	74-75	79
919010700BG	#5133-62 RETAIN RING BAG/10	48-49	40
937000000BG	1/4 X11/32 RIVET DR UH BAG/10	52-53	65
937000000BG	1/4 X11/32 RIVET DR UH BAG/10	58	52
938637100BG	3/16 POP RVT AL DME HD BAG/10	59	56
941072200BG	1/2 X1 1/4 X.083 WASH BAG/10	55	16
945867242BG	13/32 X 1 1/2 WASH BAG/10	59	58
946400002BG	25/64 X 23/32 WASH BAG/10	50	33
948637072BG	3/16 X7/16 X3/64 WASH BAG/10	94-95	132
948722111BG	11/32 WASH PLAIN B/O BAG/10	14-15	61
948745082BG	7/32 X1/2 X1/16 WASH BAG/10	55	17
948745082BG	7/32 X1/2 X1/16 WASH BAG/10	28-29	24
948753102BG	9/32 X 5/8 X1/16 WASH F BAG/10	72-73	73
948753102BG	9/32 X 5/8 X1/16 WASH F BAG/10	60	24
948753102BG	9/32 X 5/8 X1/16 WASH F BAG/10	68	40
948753102BG	9/32 X 5/8 X1/16 WASH F BAG/10	34-35	68
948761112BG	11/32 X11/16 X1/16 WASH BAG/10	72-73	74
948761112BG	11/32 X11/16 X1/16 WASH BAG/10	55	18
948761112BG	11/32 X11/16 X1/16 WASH BAG/10	68	41
948761112BG	11/32 X11/16 X1/16 WASH BAG/10	22-23	51
948761112BG	11/32 X11/16 X1/16 WASH BAG/10	44-45	54
948761112BG	11/32 X11/16 X1/16 WASH BAG/10	52-53	66
948761112BG	11/32 X11/16 X1/16 WASH BAG/10	72-73	75
948761112BG	11/32 X11/16 X1/16 WASH BAG/10	82-83	39
948761112BG	11/32 X11/16 X1/16 WASH BAG/10	84-85	86
948761112BG	11/32 X11/16 X1/16 WASH BAG/10	90-91	78
948767132BG	13/32 X13/16 X1/16 WASH BAG/10	94-95	133
948767132BG	13/32 X13/16 X1/16 WASH BAG/10	59	59
948767132BG	13/32 X13/16 X1/16 WASH BAG/10	86	34
948767132BG	13/32 X13/16 X1/16 WASH BAG/10	82-83	40
948767132BG	13/32 X13/16 X1/16 WASH BAG/10	90-91	79
948964142BG	3/8 X7/8 X3/32 WASH PF BAG/10	92-93	30
948975172BG	17/32 X1 1/16 WASH BAG/10	92-93	31
948975172BG	17/32 X1 1/16 WASH BAG/10	89	13
948975172BG	17/32 X1 1/16 WASH BAG/10	66-67	50
948975172BG	17/32 X1 1/16 WASH BAG/10	72-73	76
948983212BG	21/32 X1 5/16 WASH BAG/10	94-95	134
948983212BG	21/32 X1 5/16 WASH BAG/10	84-85	87
949100002BG	59/64 X 15/32 WASH BAG/10	94-95	135
949100002BG	59/64 X 15/32 WASH BAG/10	25	21
949100002BG	59/64 X 15/32 WASH BAG/10	50	34
949100002BG	59/64 X 15/32 WASH BAG/10	52-53	67
951020000BG	#4 WASH SPLIT LK BAG/10	90-91	80
951020000BG	#4 WASH SPLIT LK BAG/10	12-13	18
951148002BG	1/4 WASH SPLIT LK BAG/10	16-17	49
951164002BG	3/8 WASH SPLIT LK BAG/10	66-67	51
951164002BG	3/8 WASH SPLIT LK BAG/10	59	60
951164002BG	3/8 WASH SPLIT LK BAG/10	86	35
951164002BG	3/8 WASH SPLIT LK BAG/10	66-67	52
957100002BG	#10 WASH ET SHOCK PRF BAG/10	84-85	88
957100002BG	#10 WASH ET SHOCK PRF BAG/10	34-35	69
963100002BG	3/32 9000-6 WASH X BAG/10	74-75	80
963200002BG	1/8 9000-8 WASH X BAG/10	48-49	44
963200002BG	1/8 9000-8 WASH X BAG/10	27	15
963200002BG	1/8 9000-8 WASH X BAG/10	18-19	46
963200002BG	1/8 9000-8 WASH X BAG/10	28-29	25
963200002BG	1/8 9000-8 WASH X BAG/10	38-39	71
963200002BG	1/8 9000-8 WASH X BAG/10	42-43	57

PART#	DESCRIPTION	PAGE#	ITEM#
963200002BG	1/8 9000-8 WASH X BAG/10	46-47	39
963300002BG	5/32 9000-10 WASH X BAG/10	48-49	45
963400002BG	3/16 9000-12 WASH X BAG/10	30-31	46
963400002BG	3/16 9000-12 WASH X BAG/10	50	35
963400002BG	3/16 9000-12 WASH X BAG/10	42-43	58
963600002BG	1/4 9000-16 WASH X BAG/10	46-47	40
963600002BG	1/4 9000-16 WASH X BAG/10	59	61
963600002BG	1/4 9000-16 WASH X BAG/10	61	47
963600002BG	1/4 9000-16 WASH X BAG/10	89	14
963600002BG	1/4 9000-16 WASH X BAG/10	66-67	53
B158100	PIN FORK	94-95	136
612070040	THERMAL DELAY RELAY KIT	44-45	

There's more than one way to get in touch with QubicaAMF.

Making it easy for you to reach QubicaAMF is just as important to us as getting our quality products into your hands.

Contact us via phone, fax, email, and web and be served by people whose expertise and helpfulness make it easy for you to do business with QubicaAMF.



Phone: 1-866-460-7263



Fax: 804-730-4464



Email: aftermarket@qubicaamf.us



Website: www.qubicaamf.com



Facebook: <https://www.facebook.com/QubicaAMFWorldwide>



Twitter: <https://twitter.com/qubicaAMF>



You Tube: <http://www.youtube.com/user/QubicaAMFWorldwide>

Email Club: <http://www.qubicaamf.com/newsletter/entry.html>

Join our email club, The Supply Line, to receive monthly tech tips, product specials, and industry news.

Customer Portal: <http://customerportal.qubicaamf.com/Homepage.aspx>

Register for our tech support customer portal, a website dedicated to supporting you and your center's technical needs with how-to videos, manuals, and parts catalogs.

Products Forum: <http://customerforum.qubicaamf.com/newcustomerforum.aspx>

Join our interactive Products Forum to discuss issues among peers worldwide.



WORLDWIDE HEADQUARTERS

8100 AMF Drive - Mechanicsville, VA 23111 - USA - Tel. (804) 569-1000 - Fax: (804) 559-8650 - Toll free 1-866-460-QAMF (7263)

EUROPEAN HEADQUARTERS

Via della Croce Coperta, 15 - 40128 Bologna - Italy - Tel.+39 051.4192.611 - Fax +39 051.4192.602

www.qubicaamf.com - info@qubicaamf.com

